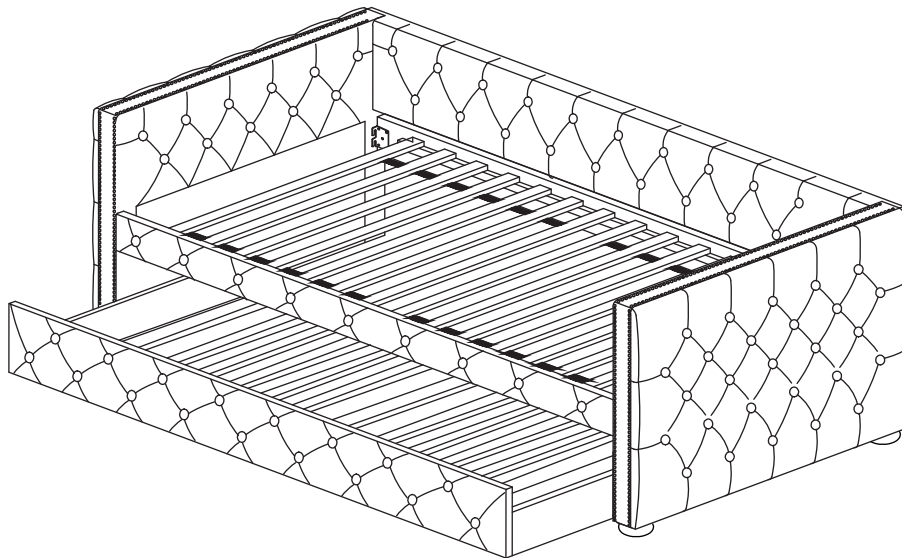


ASSEMBLY INSTRUCTIONS
COASTER FINE FURNITURE



Fine Furniture for every stage of life

302161(B1&B2)
Daybed

ITEM: 302161(B1&B2)



ASSEMBLY INSTRUCTIONS

ASSEMBLY TIPS:

1. Remove hardware from box and sort by size.
2. Please check to see that all hardware and parts are present prior to start of assembly.
3. Please follow attached instructions in the same sequence as numbered to assure fast & easy assembly.



WARNING!

1. Don't attempt to repair or modify parts that are broken or defective. Please contact the store immediately.
2. This product is for home use only and not intended for commercial establishments.



ASSEMBLY TIME

30 MINUTES

PARTS IDENTIFICATION

B1 (BOX 1)

A	LEFT SIDE PANEL		1PC	D	BUN FOOT		4PCS
B	RIGHT SIDE PANEL		1PC	E	TRUNDLE SIDE PANEL		2PCS
C	ROLL SLAT (7PCS)		2SETS	F	TRUNDLE ROLL SLAT (5PCS)		2SETS

B2 (BOX 2)

G	BACK PANEL		1PC	K	TRUNDLE BACK PANEL		1PC
H	FRONT RAIL		1PC	L	TRUNDLE SLAT		3PCS
I	BACK RAIL		1PC	M	CASTER WITH SCREW		6SETS
J	TRUNDLE FRONT PANEL		1PC				

NOTE:

Phillips head screw driver is required in the assembly process; however, manufacturer does not provided this item.

ITEM: 302161(B1&B2)

ASSEMBLY INSTRUCTIONS

ASSEMBLY TIPS:

1. Remove hardware from box and sort by size.
2. Please check to see that all hardware and parts are present prior to start of assembly.
3. Please follow attached instructions in the same sequence as numbered to assure fast & easy assembly.


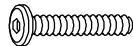



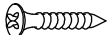




WARNING!

1. Don't attempt to repair or modify parts that are broken or defective. Please contact the store immediately.
2. This product is for home use only and not intended for commercial establishments.

HARDWARE IDENTIFICATION

Z-B2 (BOX 2) - HARDWARE PACK IS LOCATED IN 302161(B2)

1	SHORT BOLT (M8 x 20MM - RBW)		16PCS
2	LONG BOLT (M6 x 50MM - RBW)		20PCS
3	LOCK WASHER (15/64" x 13 Ø - RBW)		16PCS
4	BIG FLAT WASHER (15/64" x 19 Ø - RBW)		4PCS
5	SMALL FLAT WASHER (15/64" X 13 Ø - RBW)		12PCS
6	FLAT HEAD SCREW (M4 x 32MM - RBW)		16PCS
7	SMALL ALLEN WRENCH (M4 x 100MM - BLK)		1PC
8	BIG ALLEN WRENCH (M5 x 65MM - BLK)		1PC

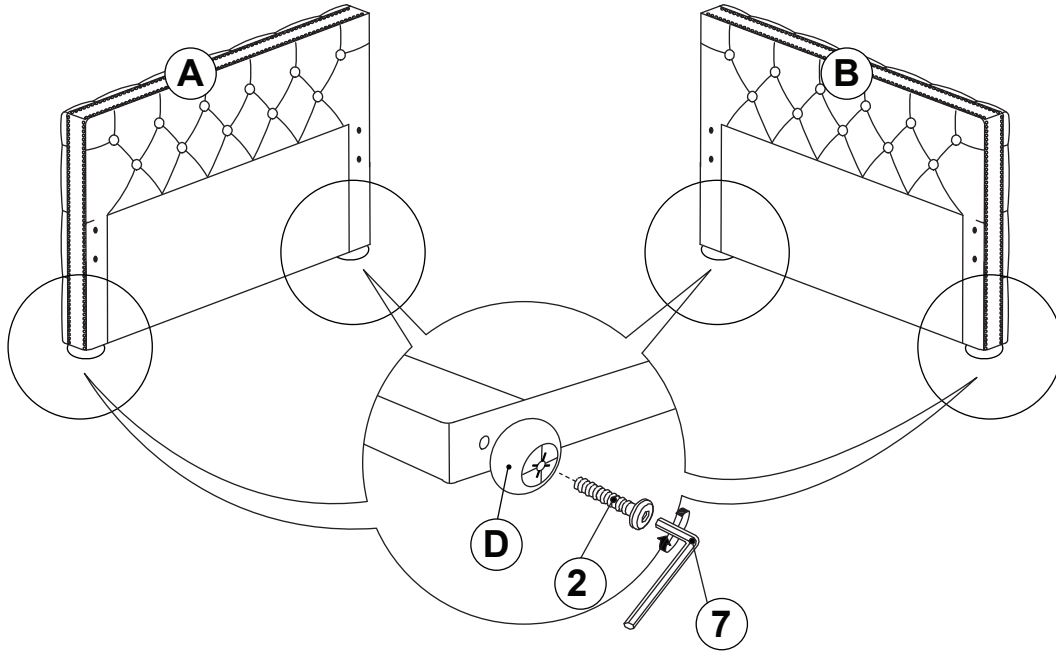
NOTE:

Phillips head screw driver is required in the assembly process; however, manufacturer does not provided this item.

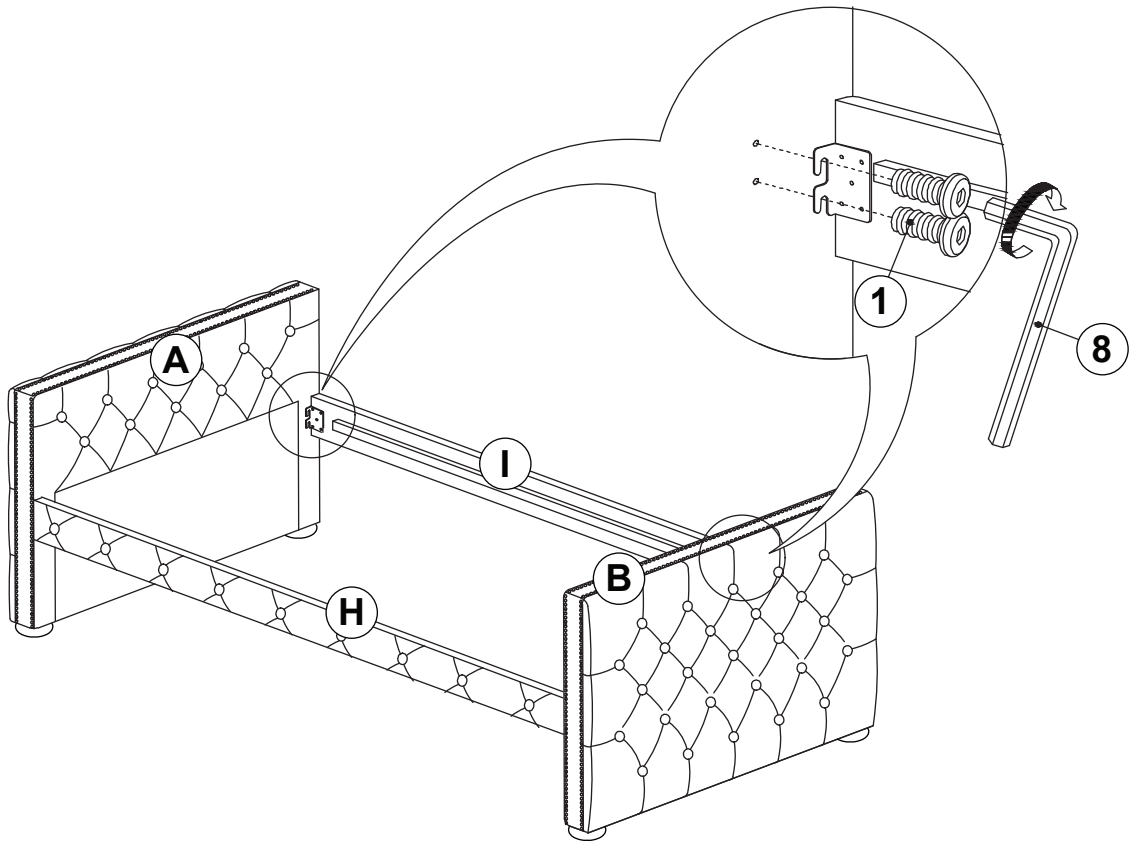
ITEM: **302161(B1&B2)**

ASSEMBLY INSTRUCTIONS

STEP 1



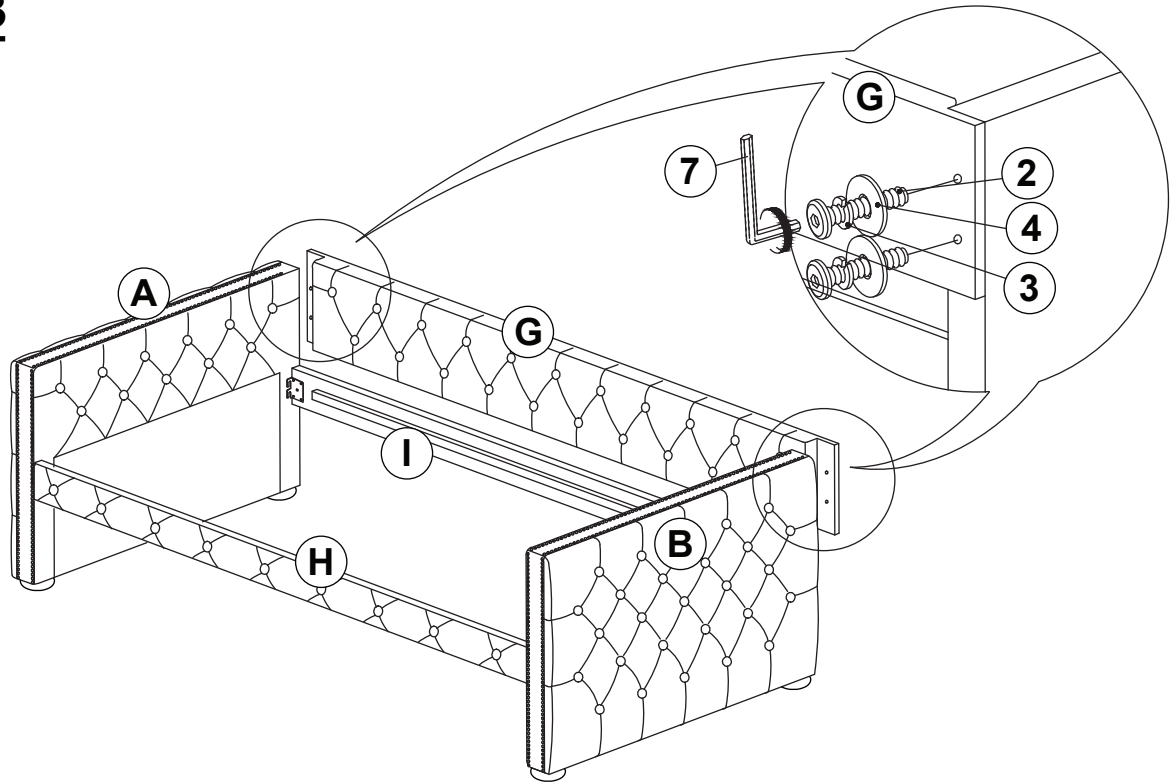
STEP 2



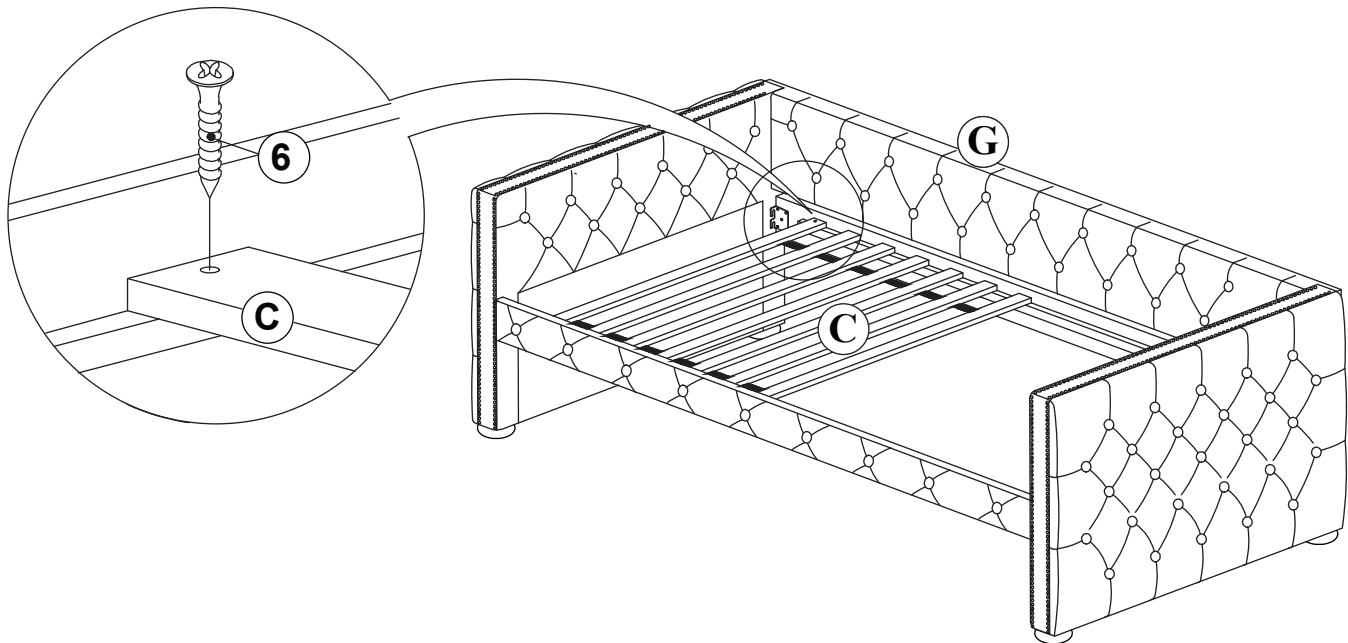
ITEM: **302161(B1&B2)**

ASSEMBLY INSTRUCTIONS

STEP 3



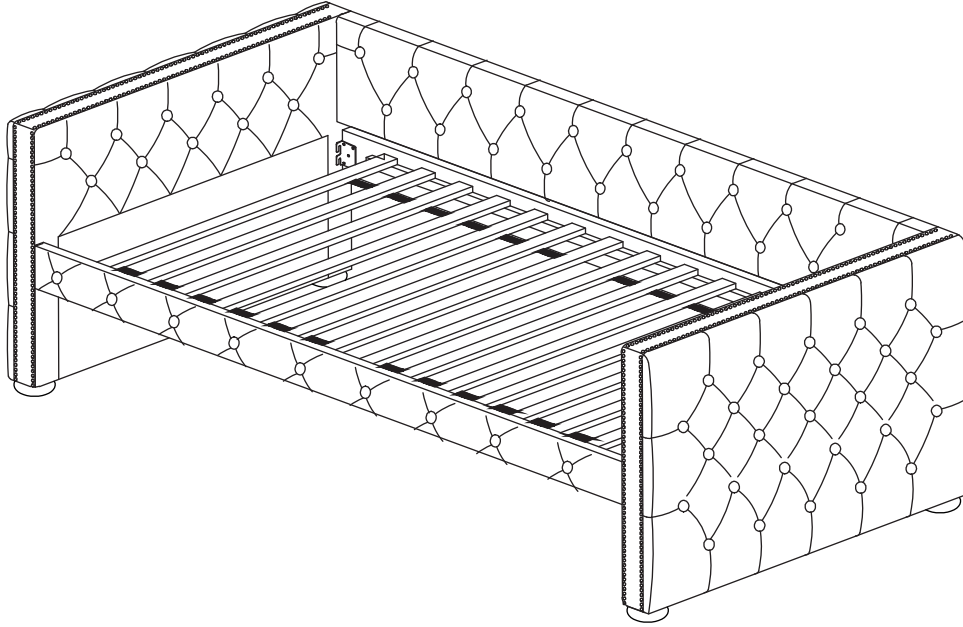
STEP 4



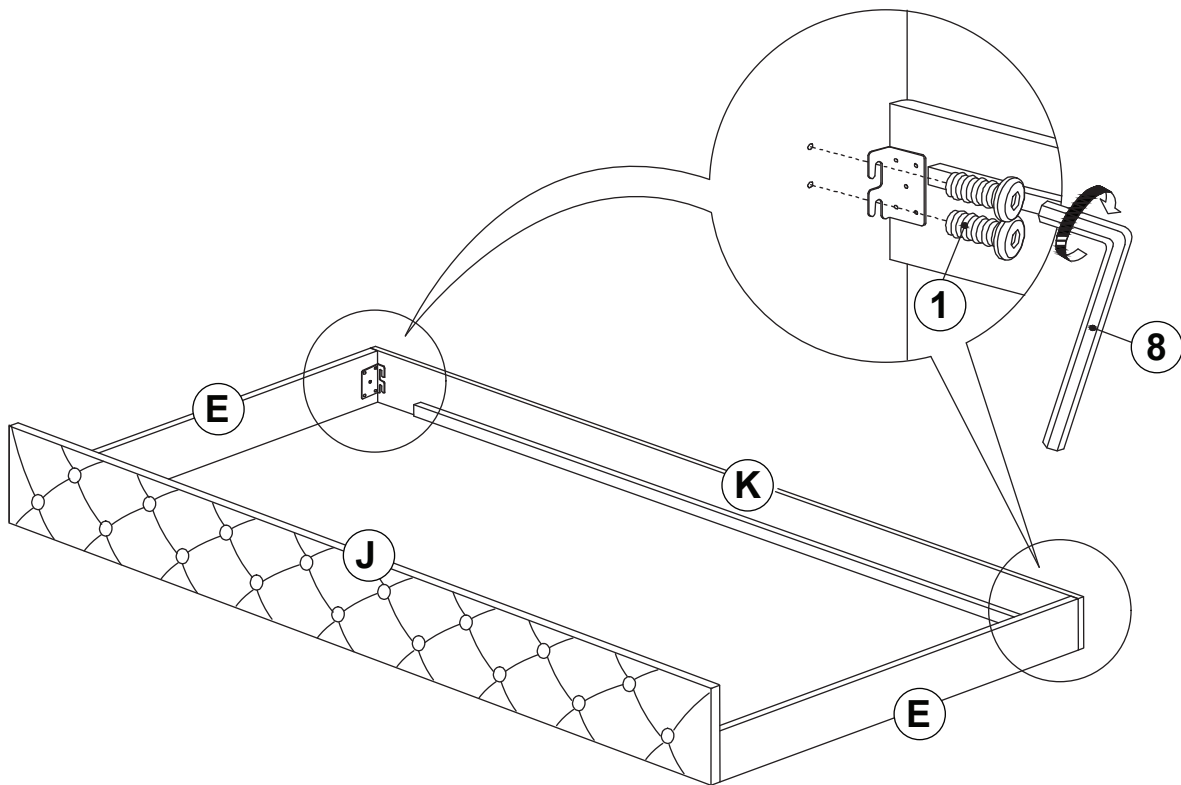
ITEM: **302161(B1&B2)**

ASSEMBLY INSTRUCTIONS

STEP 5



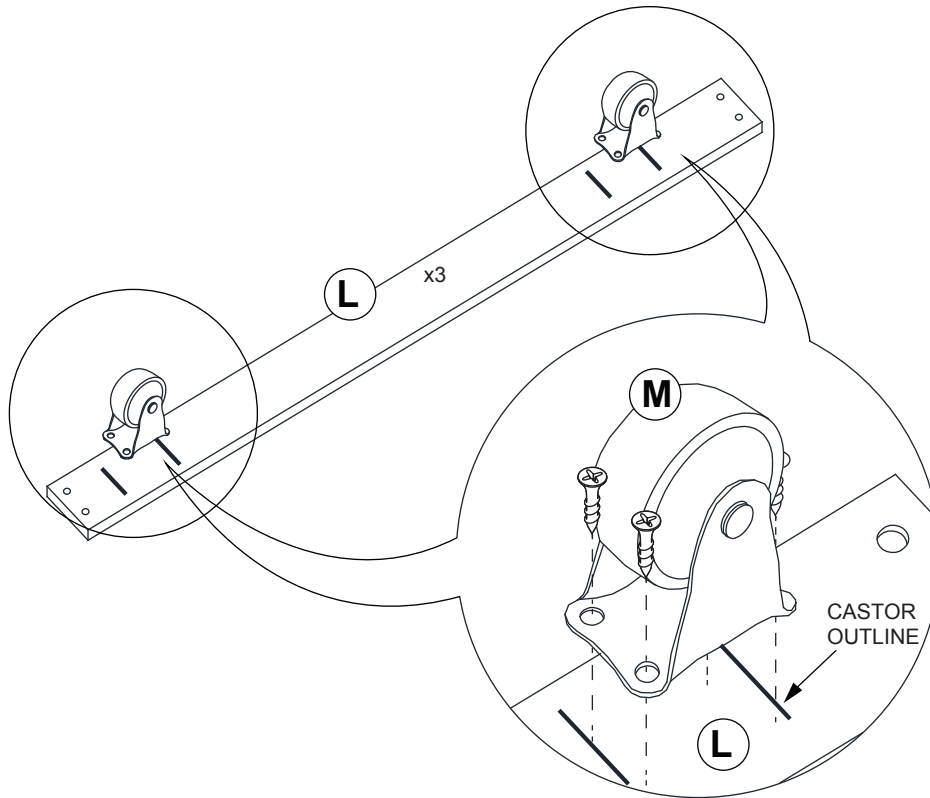
STEP 6



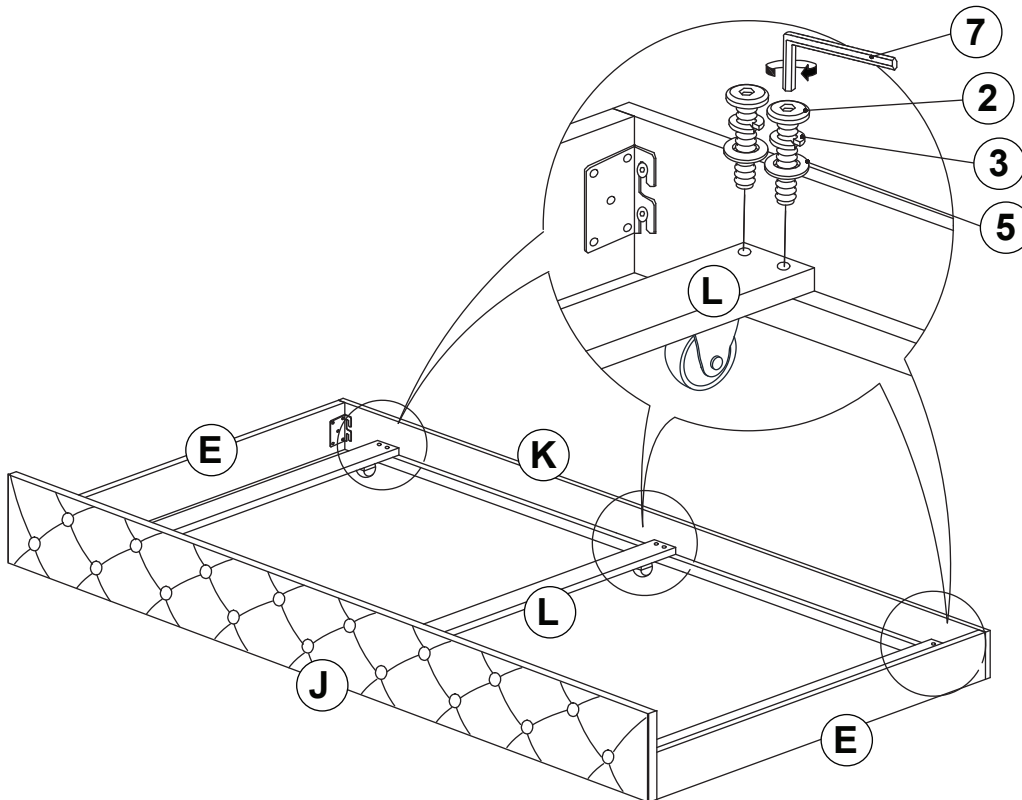
ITEM: 302161(B1&B2)

ASSEMBLY INSTRUCTIONS

STEP 7



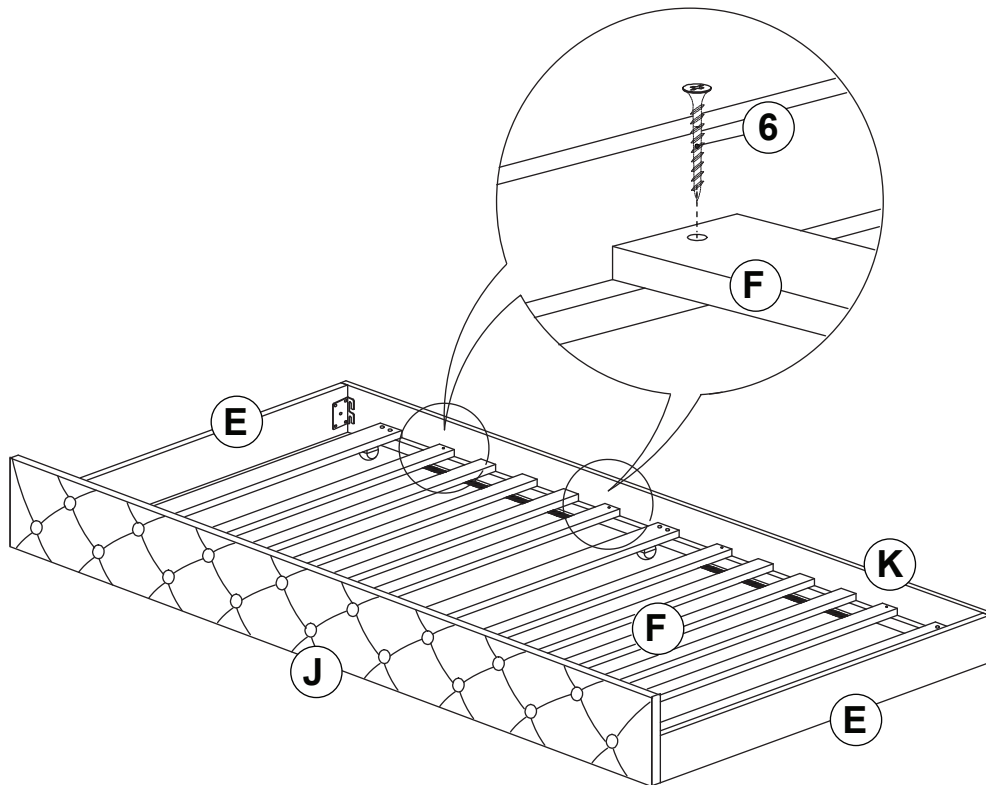
STEP 8



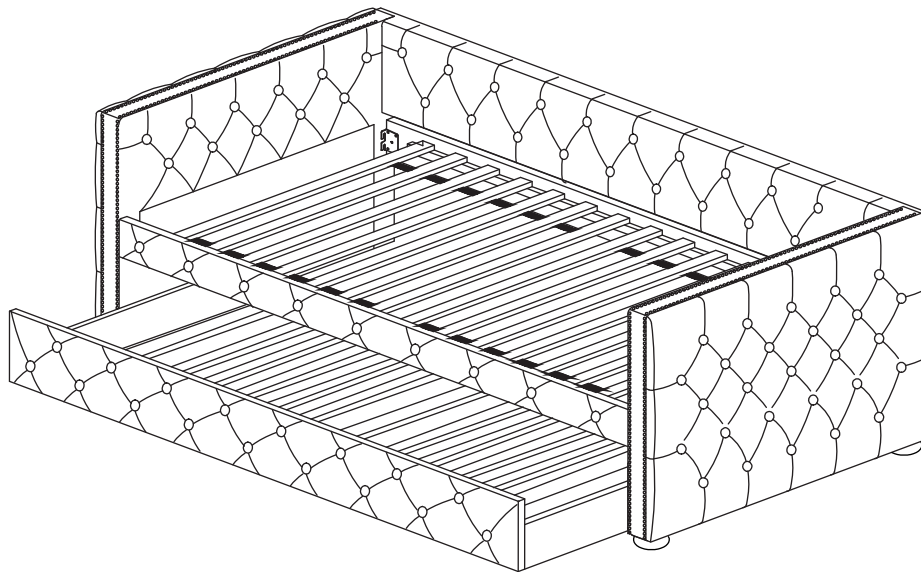
ITEM: **302161(B1&B2)**

ASSEMBLY INSTRUCTIONS

STEP 9

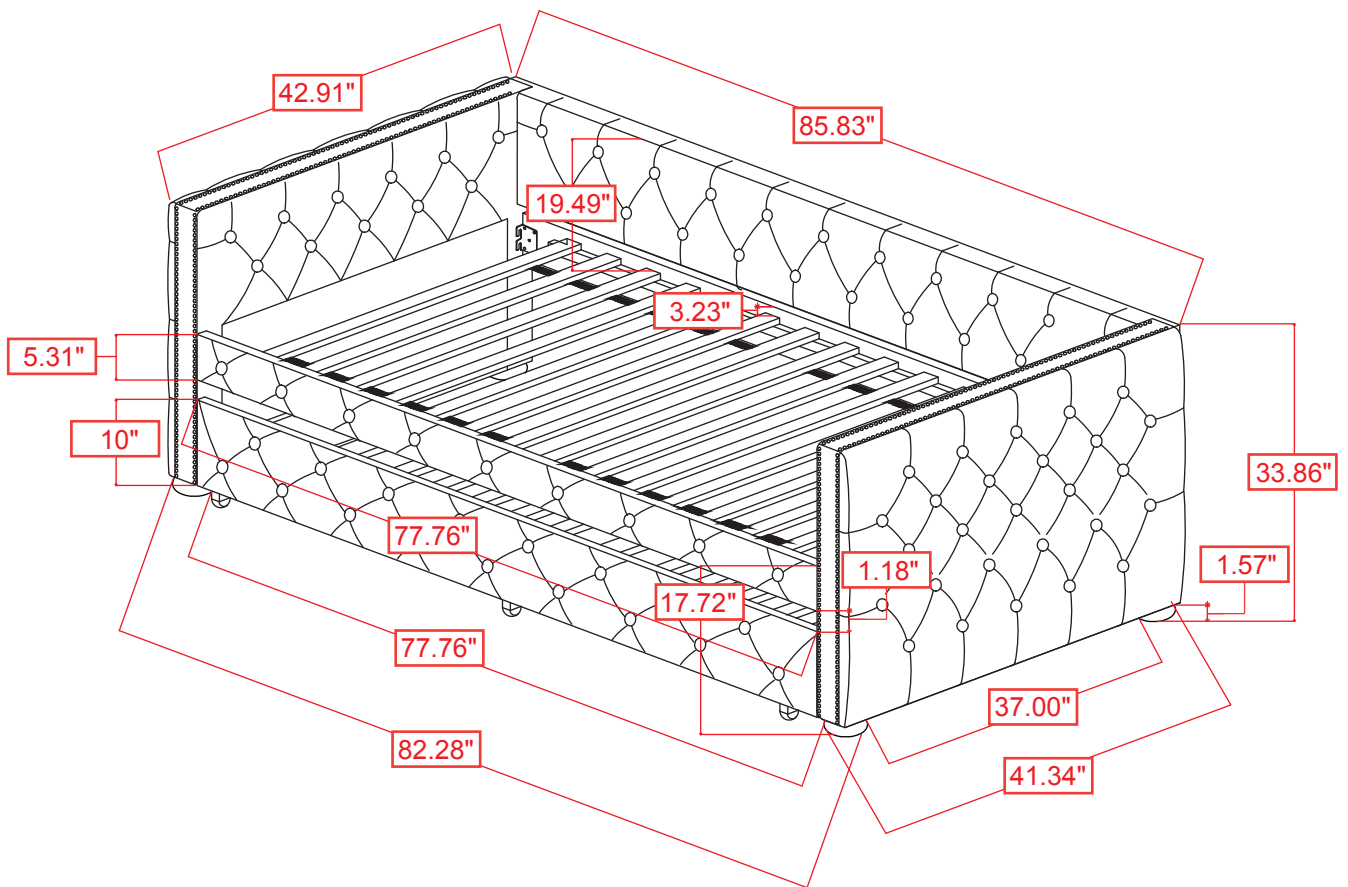


STEP 10
COMPLETE



ITEM: 302161(B1&B2)

UPPER INNER SIZE : 39.57" X 76.18"
LOWER INNER SIZE : 39.57" X 75.39"



Note : Dimension tolerance $\pm 5\%$