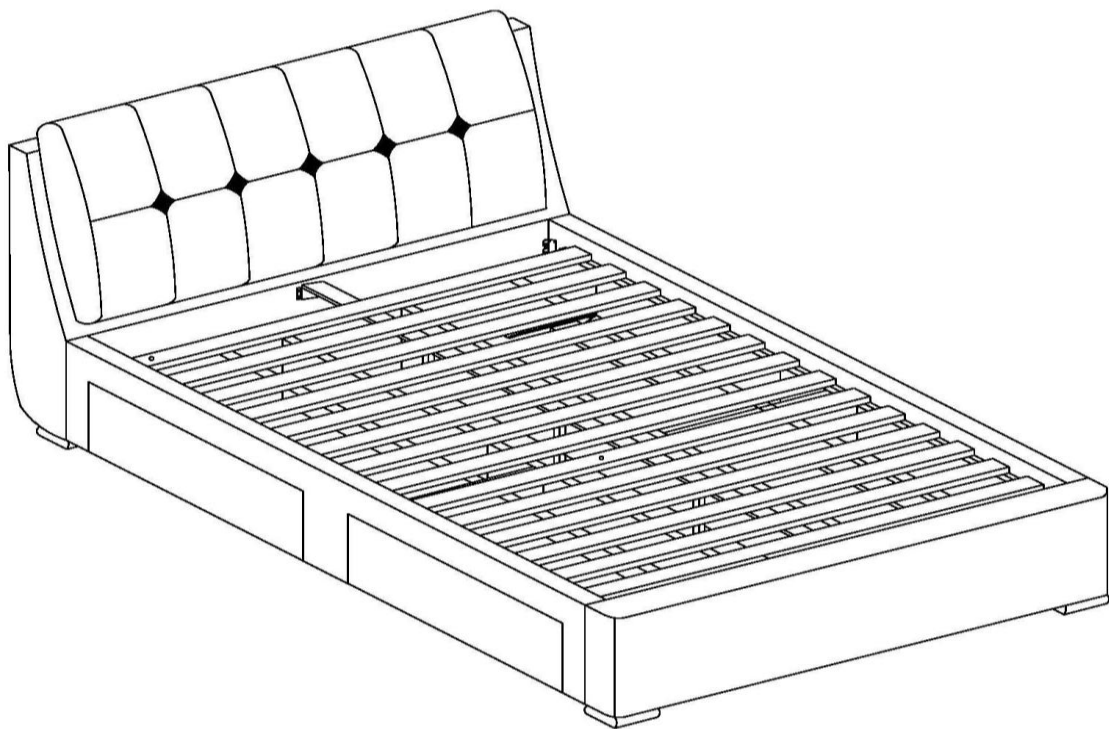


**ASSEMBLY INSTRUCTIONS**  
**COASTER FINE FURNITURE**



*Fine Furniture for every stage of life*

**300523Q (B1-B5)**  
**Queen Storage Bed**

REVISION 0 : 11/30/2015  
REVISION 1 : 12/28/2015  
REVISION 2 : 06/09/2016  
REVISION 3 : 08/20/2016  
REVISION 4 : 09/26/2016  
REVISION 5 : 07/17/2019

# ITEM: 300523Q (B1-B5)



## ASSEMBLY INSTRUCTIONS

### ASSEMBLY TIPS:

1. Remove hardware from box and sort by size.
2. Please check to see that all hardware and parts are present prior to start of assembly.
3. Please follow attached instructions in the same sequence as numbered to assure fast & easy assembly.



### WARNING!

1. Don't attempt to repair or modify parts that are broken or defective. Please contact the store immediately.
2. This product is for home use only and not intended for commercial establishments.



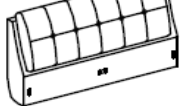
ASSEMBLY TIME

90 MINUTES

## PARTS IDENTIFICATION

### B1 ( BOX 1 )

A HEADBOARD PANEL 1PC



### B2 ( BOX 2 )

B FOOTBOARD PANEL 1PC



### B3 ( BOX 3 )

C BED RAIL 2PCS



D HEADBOARD & FOOTBOARD LEG 4PCS



E CENTER RAIL 1PC



F BED SLAT SUPPORT WITH LEVELER 2PCS



H DRAWER FRONT PANEL (WITH "1" LABEL) 4PCS



### NOTE:

Phillips head screw driver is required in the assembly process; however, manufacturer does not provide this item.

# ITEM: 300523Q (B1-B5)

## ASSEMBLY INSTRUCTIONS

### ASSEMBLY TIPS:

1. Remove hardware from box and sort by size.
2. Please check to see that all hardware and parts are present prior to start of assembly.
3. Please follow attached instructions in the same sequence as numbered to assure fast & easy assembly.

### WARNING!



1. Don't attempt to repair or modify parts that are broken or defective. Please contact the store immediately.
2. This product is for home use only and not intended for commercial establishments.



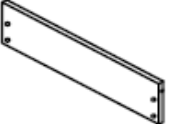
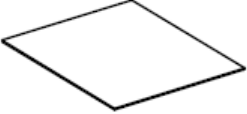



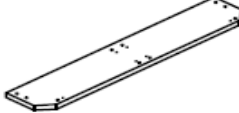




ASSEMBLY TIME

90 MINUTES

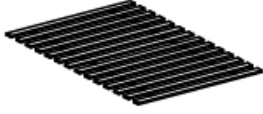
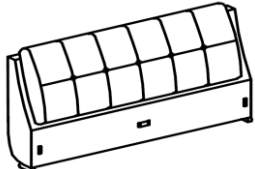
## PARTS IDENTIFICATION

### B4 (BOX 4)

G	SET OF GLIDES		8SET
I	DRAWER BACK PANEL (WITH "2" LABEL)		4PCS
J	DRAWER SIDE PANEL (WITH "3" LABEL)		8PCS
K	DRAWER BOTTOM PANEL (WITH "4" LABEL)		4PCS
L	DRAWER SUPPORT BAR (WITH "5" LABEL)		8PCS

M	SIDE FRAME (WITH "6" LABEL)		2PCS
N	SMALL RIGHT CENTER PANEL (WITH "7" LABEL)		2PCS
O	SMALL LEFT CENTER PANEL (WITH "8" LABEL)		2PCS
P	LARGE CENTER FRAME (WITH "9" LABEL)		2PCS
Q	SUPPORT BAR (WITH "10" LABEL)		2PCS

### B5 (BOX 5)

R	ROLL SLAT (14PCS)		1SET
HB	300523Q (B1&B3) *FROM BOX 1 & BOX 3 HEADBOARD COMPLETE		1PC

FB	300523Q (B2&B3) *FROM BOX 2 & BOX 3 FOOTBOARD		1PC
----	-----------------------------------------------------	---------------------------------------------------------------------------------------	-----

### NOTE:

Phillips head screw driver is required in the assembly process; however, manufacturer does not provide this item.

# ITEM: 300523Q (B1-B5)



## ASSEMBLY INSTRUCTIONS

### ASSEMBLY TIPS:

1. Remove hardware from box and sort by size.
2. Please check to see that all hardware and parts are present prior to start of assembly.
3. Please follow attached instructions in the same sequence as numbered to assure fast & easy assembly.




### WARNING!


1. Don't attempt to repair or modify parts that are broken or defective. Please contact the store immediately.
2. This product is for home use only and not intended for commercial establishments.

## HARDWARE IDENTIFICATION


### Z-B3 (BOX 3) - HARDWARE PACK IS LOCATED IN 300523Q (B3)

1 **PLASTIC DOWEL**  
(4 x 25MM - BLK)  
(WITH "A" LABEL)  24PCS

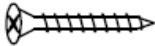
2 **SHORT BOLT JCBCW**  
(M6 x 40MM - BLK)  
(WITH "B" LABEL)  24PCS

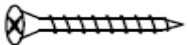
3 **LONG BOLT JCBC** (M6  
x 40MM - RBW)  
(WITH "C" LABEL)  18PCS

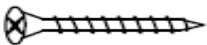
4 **PLASTIC GLIDE** (20MM -  
WHT) (WITH "D" LABEL)  20PCS

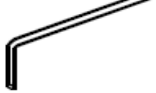
5 **NAIL**  
(20MM - RBW)  
(WITH "E" LABEL)  48PCS

6 **SHORT FLAT HEAD**  
**SCREW** (CSK3.5 x 16MM-  
RBW) (WITH "F" LABEL)  48PCS

7 **MEDIUM FLAT HEAD**  
**SCREW**  
(CSKM4 X 25MM - RBW)  
(WITH "G" LABEL)  14PCS

8 **LONG FLAT HEAD**  
**SCREW**  
(CSKM4 X 32MM - RBW)  
(WITH "H" LABEL)  47PCS

9 **LONG FLAT HEAD**  
**SCREW**  
(CSKM4 X 50MM - RBW)  
(WITH "I" LABEL)  32PCS

10 **ALLEN WRENCH** (M4  
X 65MM-BLK)  
(WITH "J" LABEL)  1PC

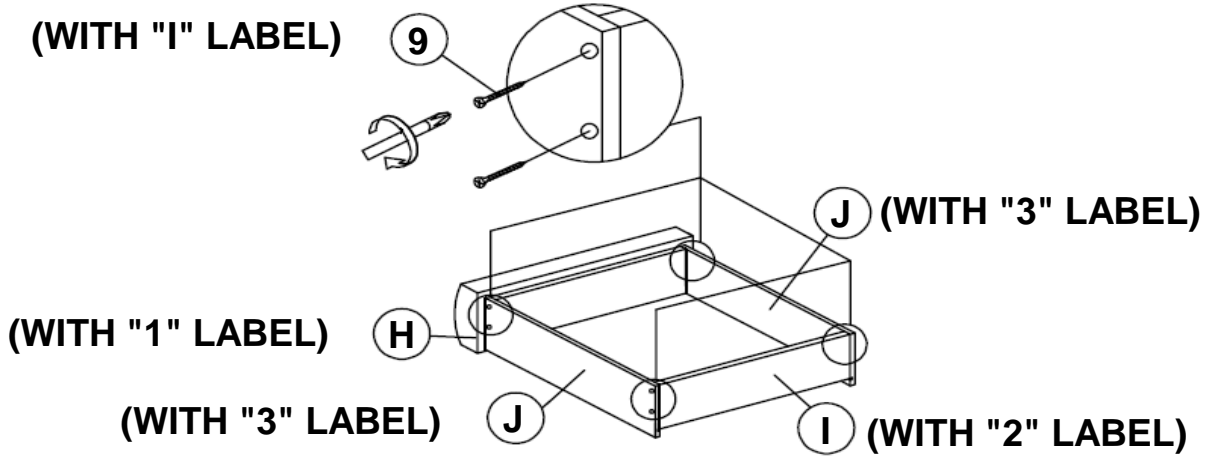
11 **LOCK WASHER** (20MM-  
RBW) (WITH "K" LABEL)  16PCS

### NOTE:

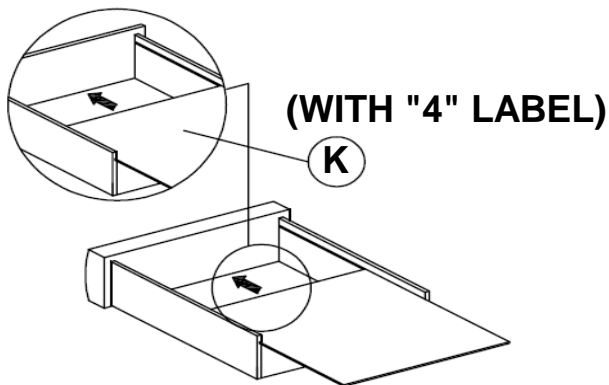
Phillips head screw driver is required in the assembly process; however, manufacturer does not provide this item.

**ASSEMBLY INSTRUCTIONS**

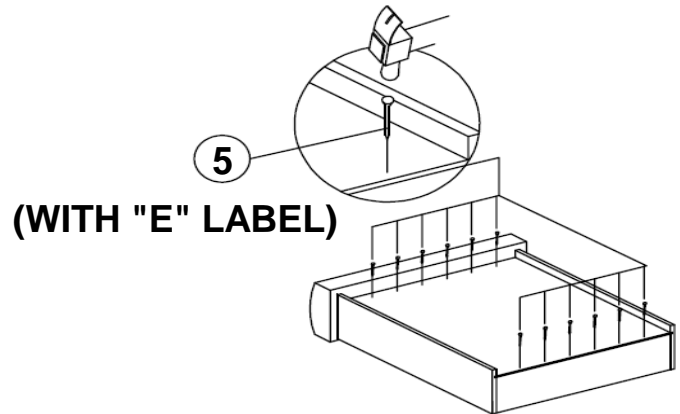
**STEP 1**



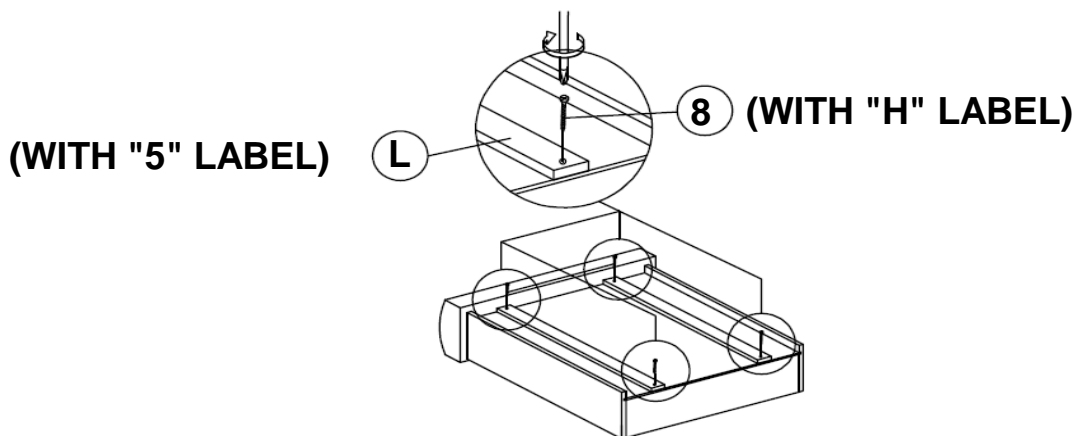
**STEP 2**



**STEP 3**

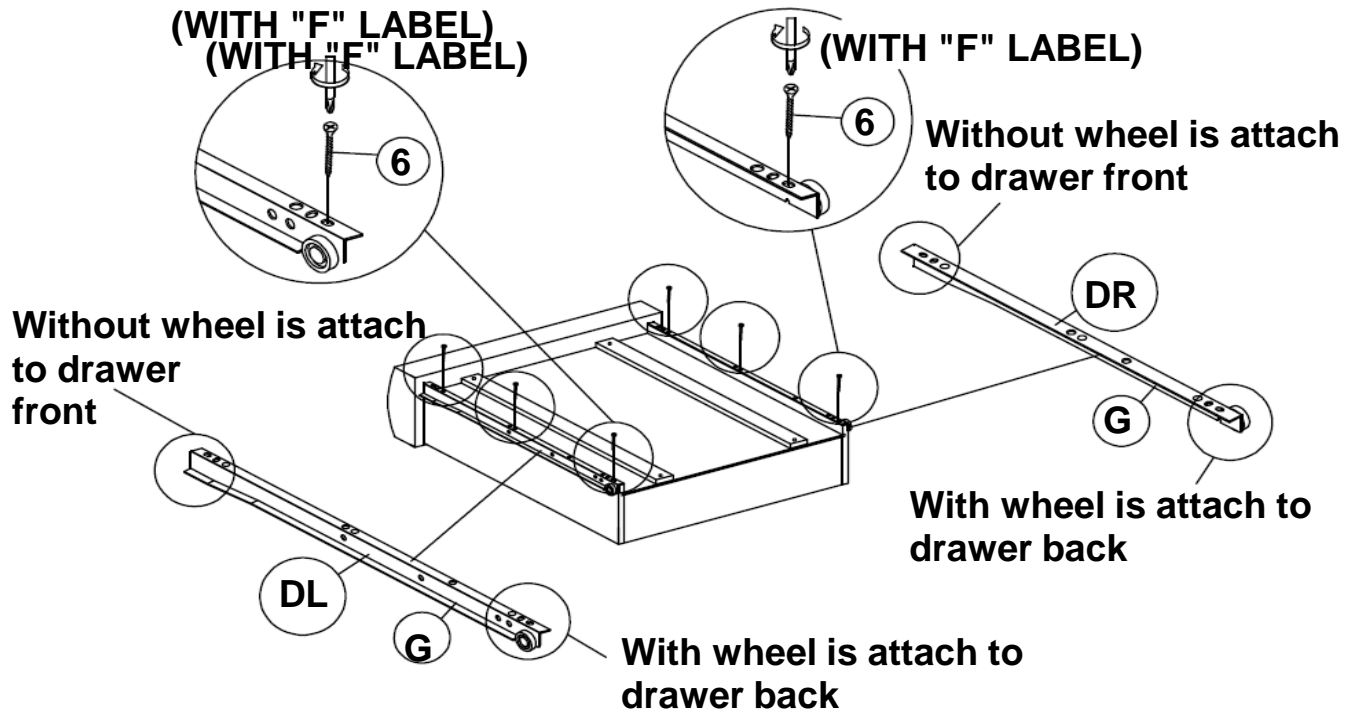


**STEP 4**

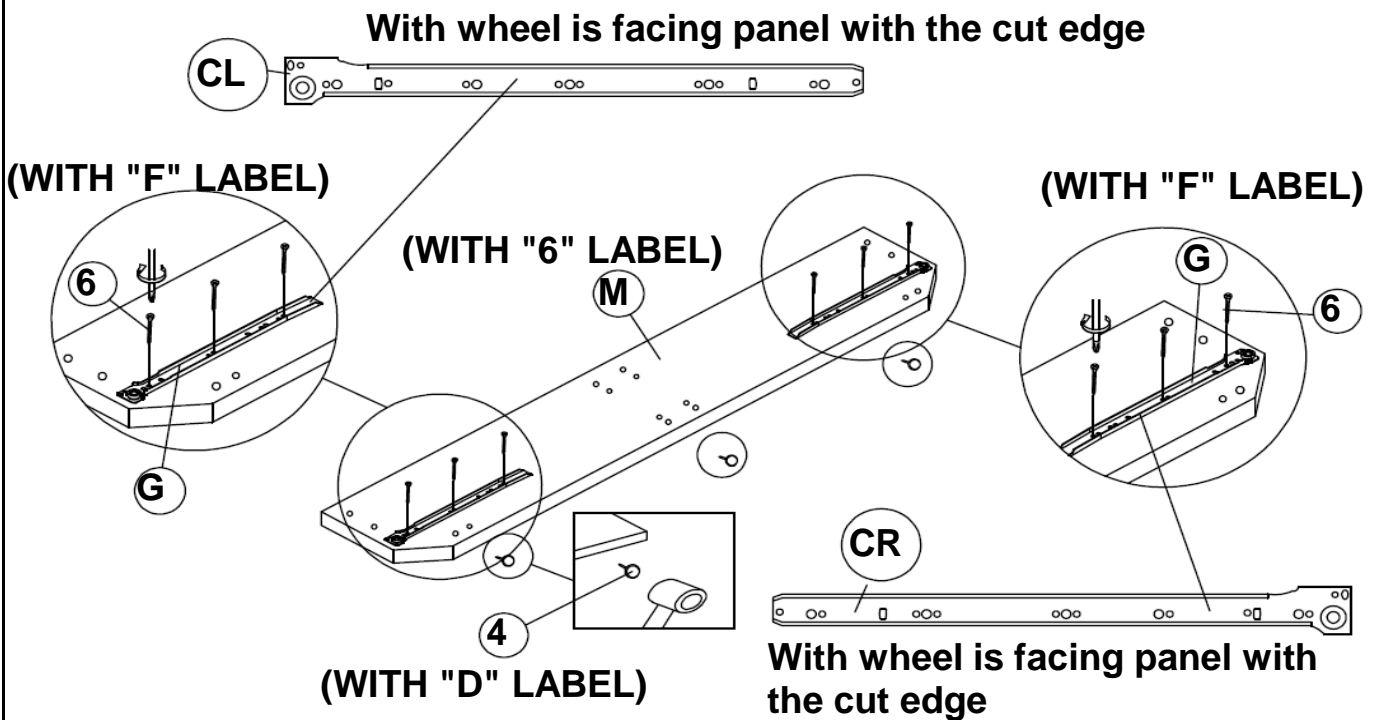


**ASSEMBLY INSTRUCTIONS**

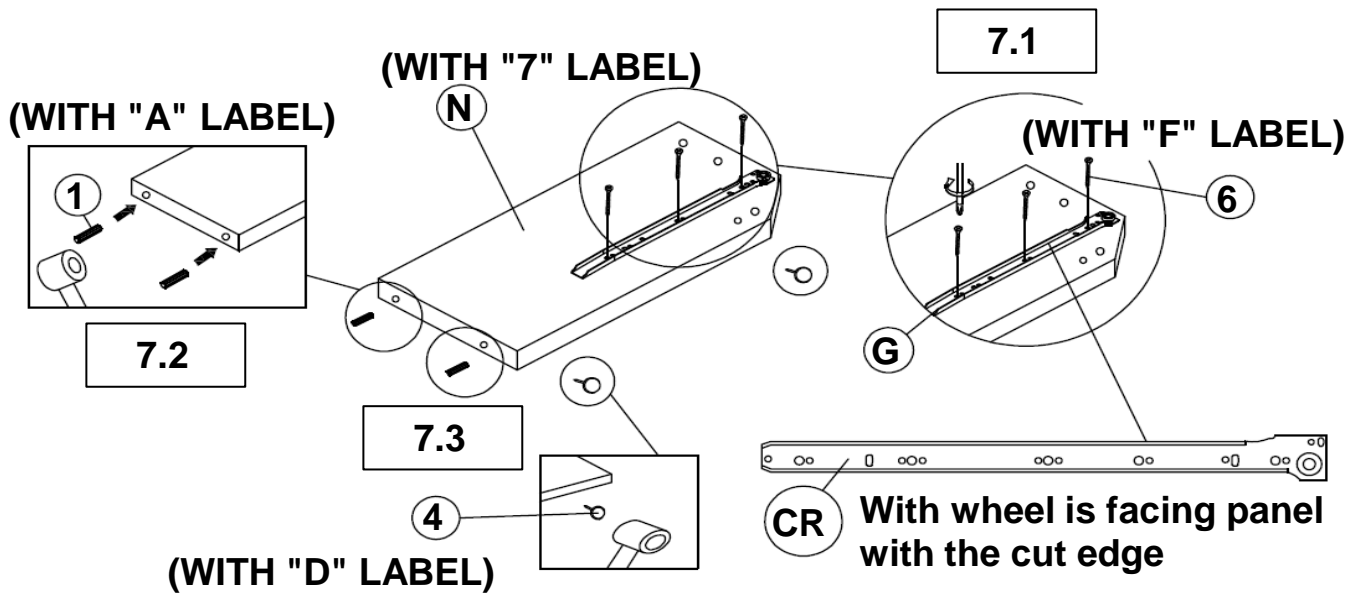
**STEP 5**



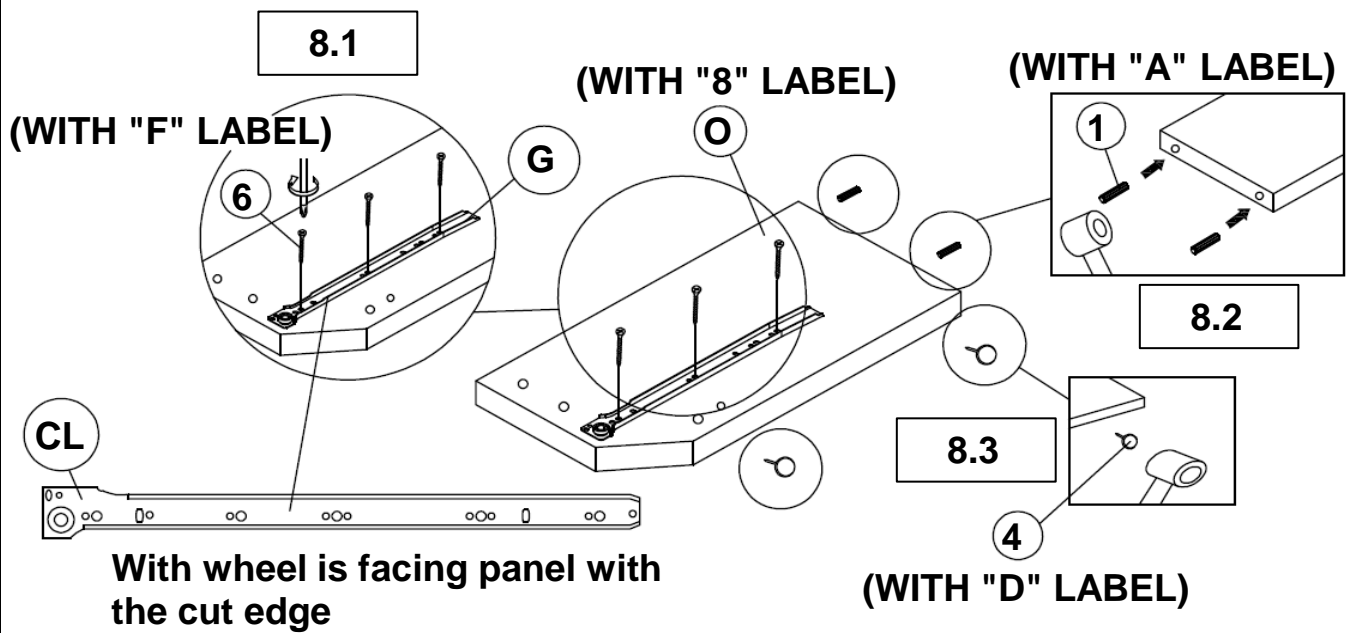
**STEP 6**



**ASSEMBLY INSTRUCTIONS**  
**STEP 7**

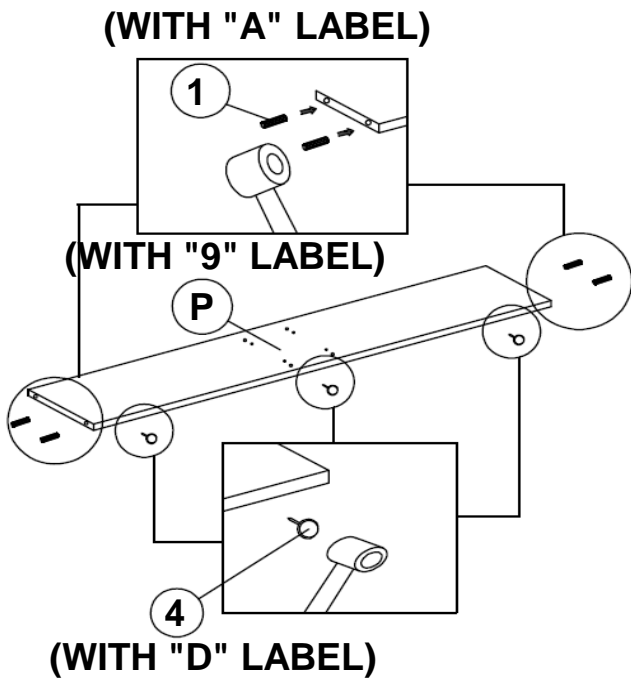


**STEP 8**

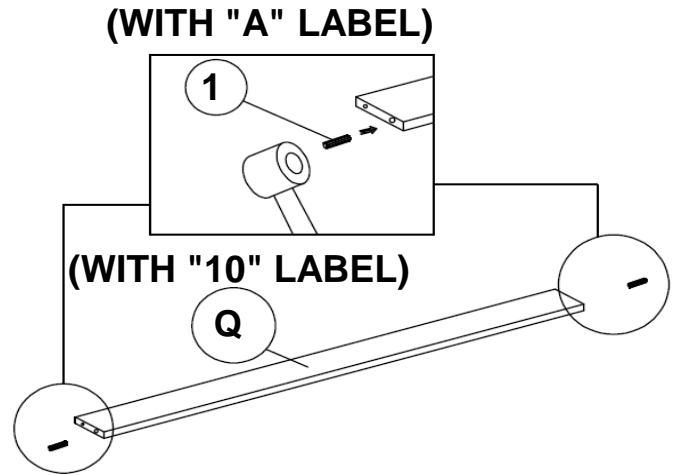


**ASSEMBLY INSTRUCTIONS**

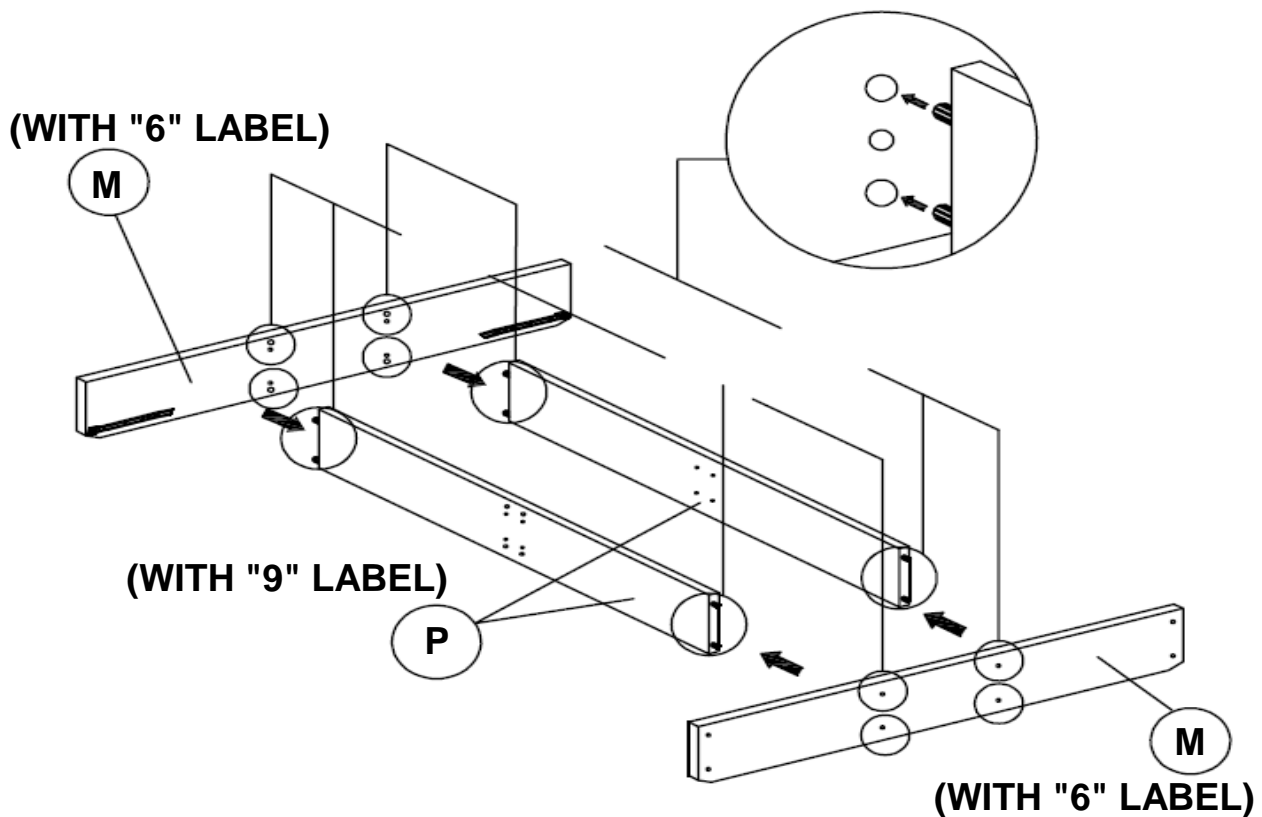
**STEP 9**



**STEP 10**



**STEP 11**

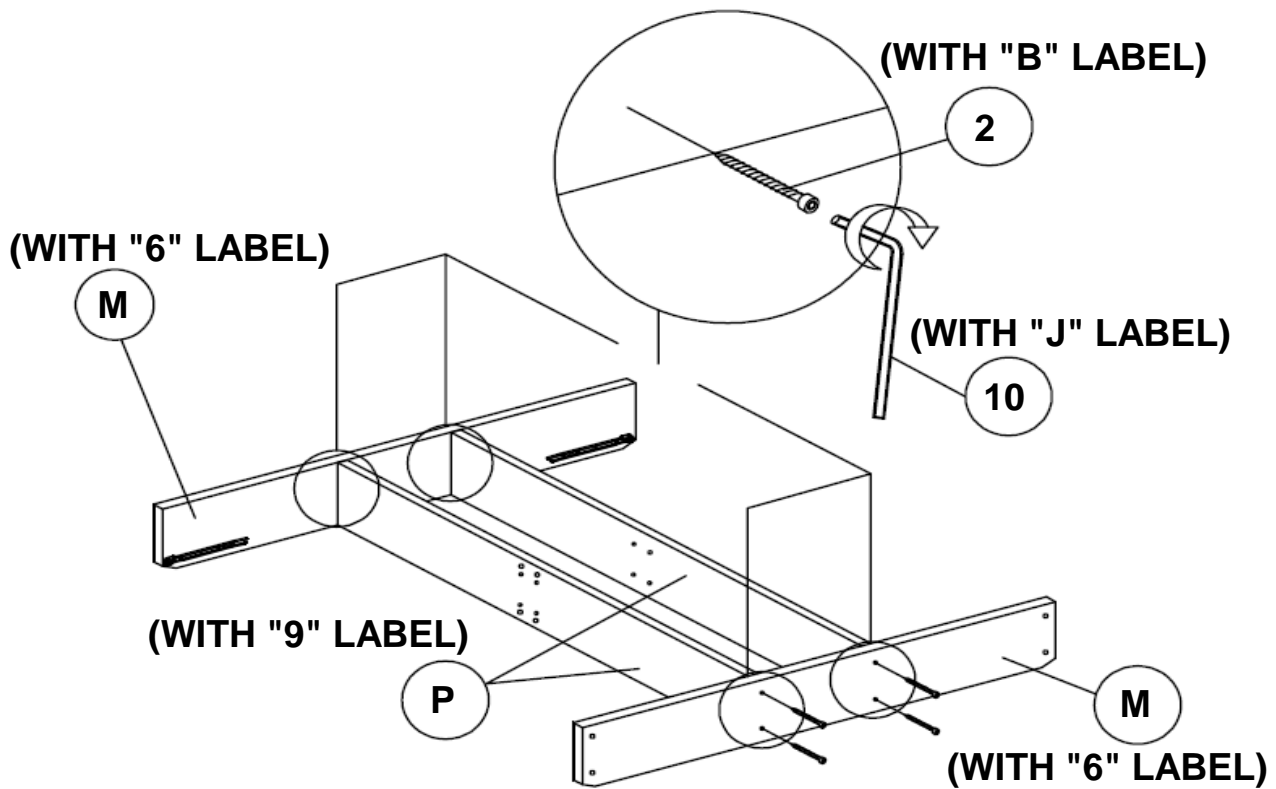




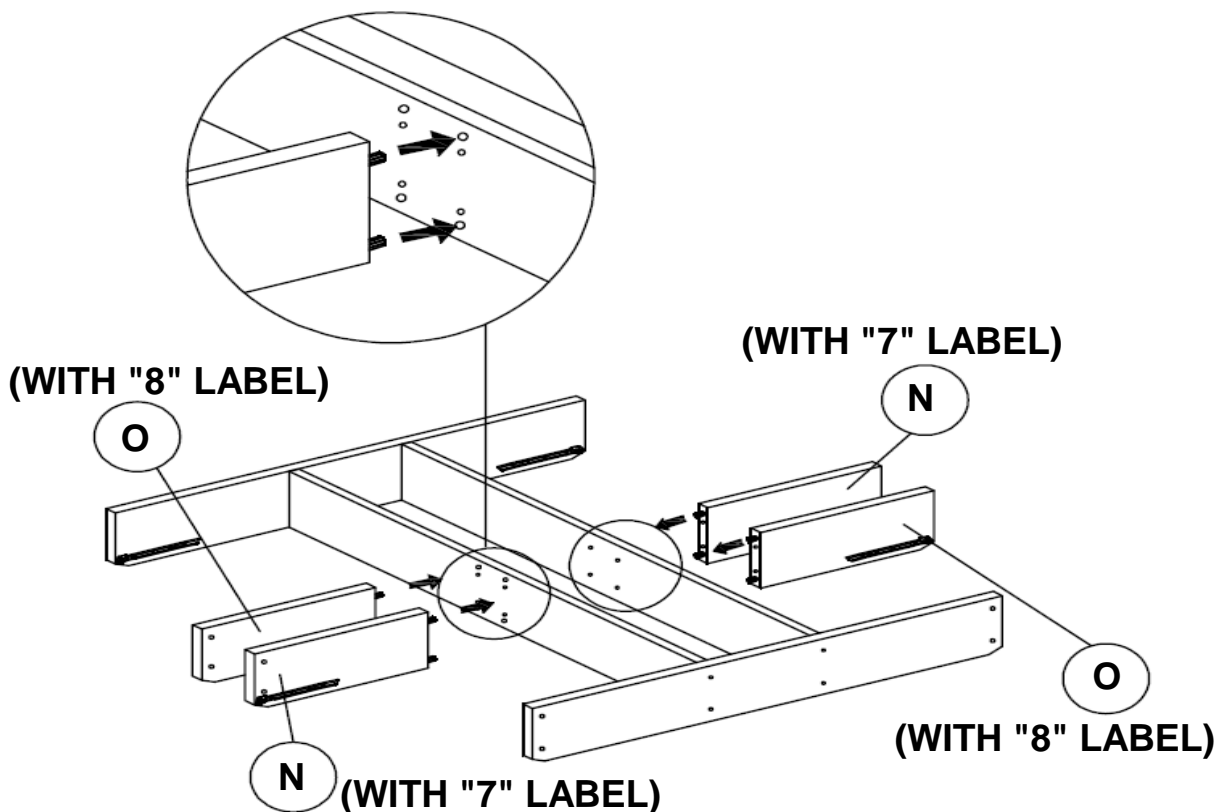
# ITEM: 300523Q (B1-B5)



## ASSEMBLY INSTRUCTIONS STEP 12



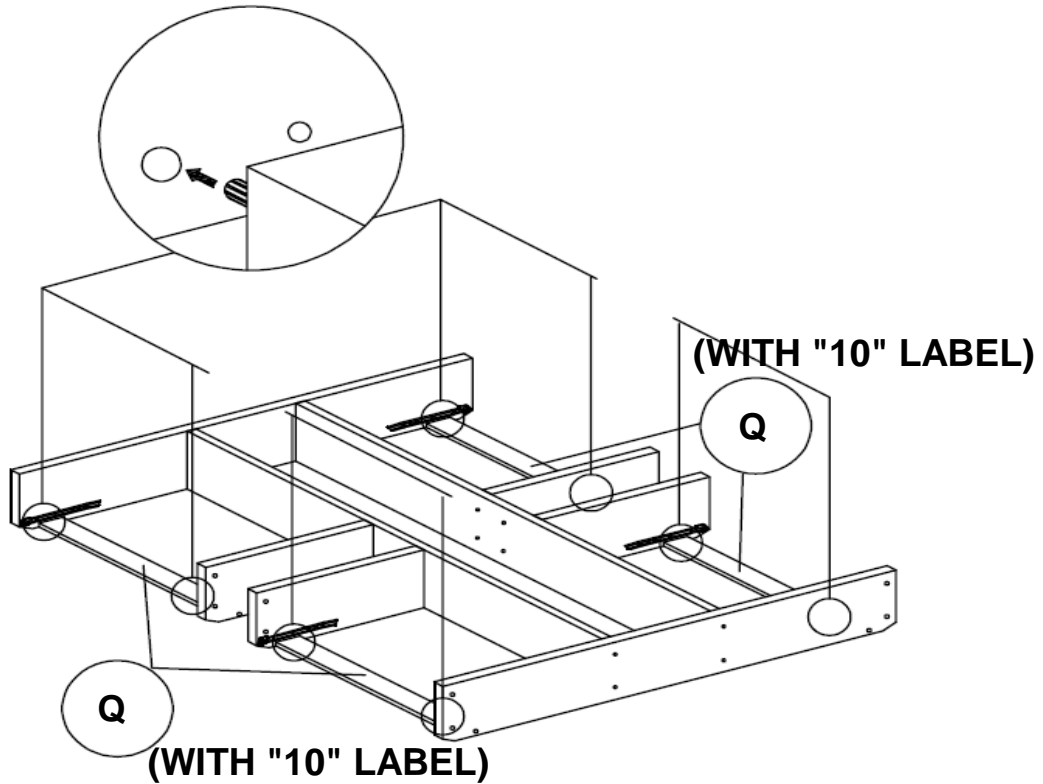
## STEP 13



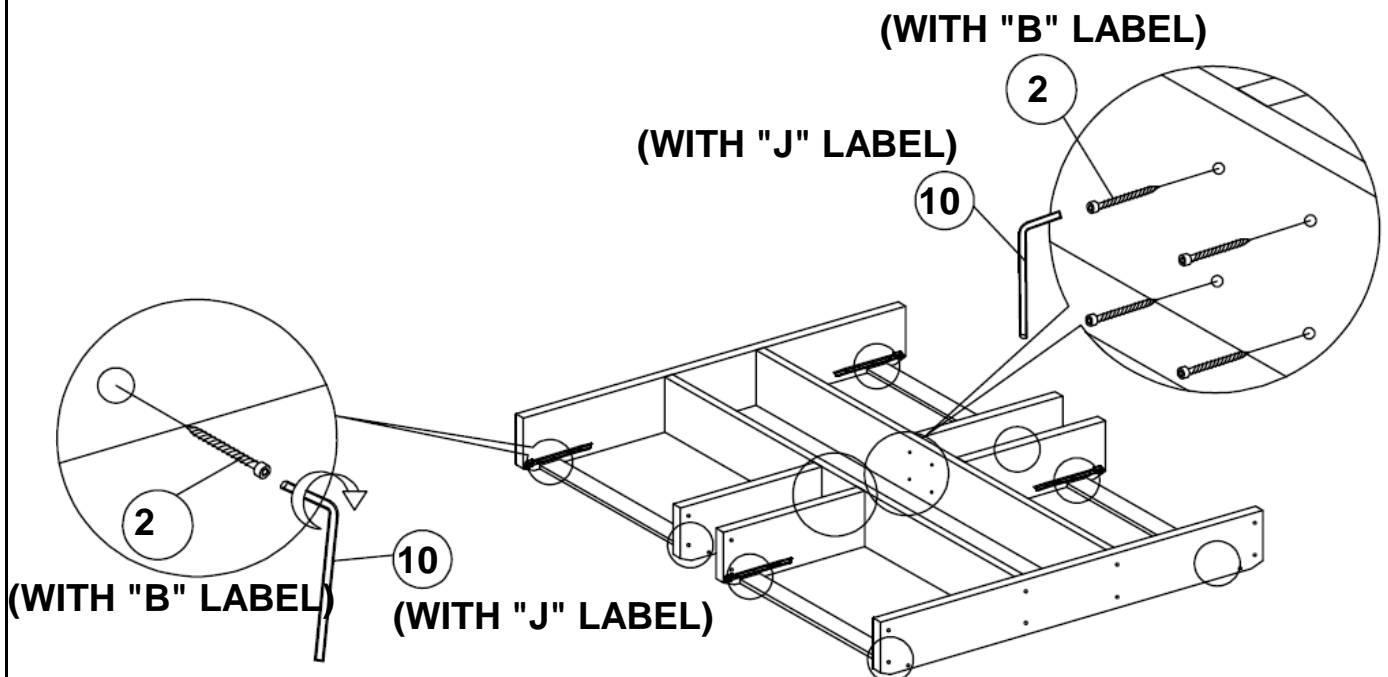
ITEM: **300523Q (B1-B5)**



**ASSEMBLY INSTRUCTIONS**  
**STEP 14**



**STEP 15**

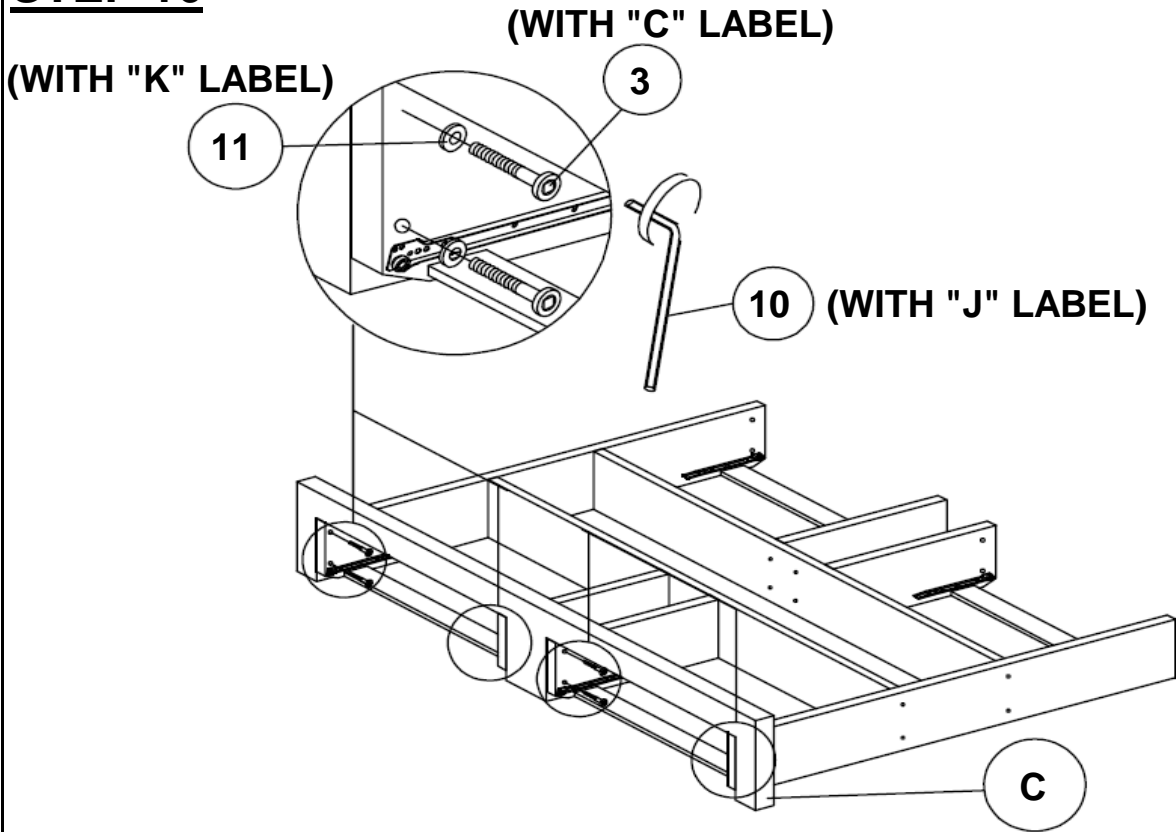


# ITEM: 300523Q (B1-B5)

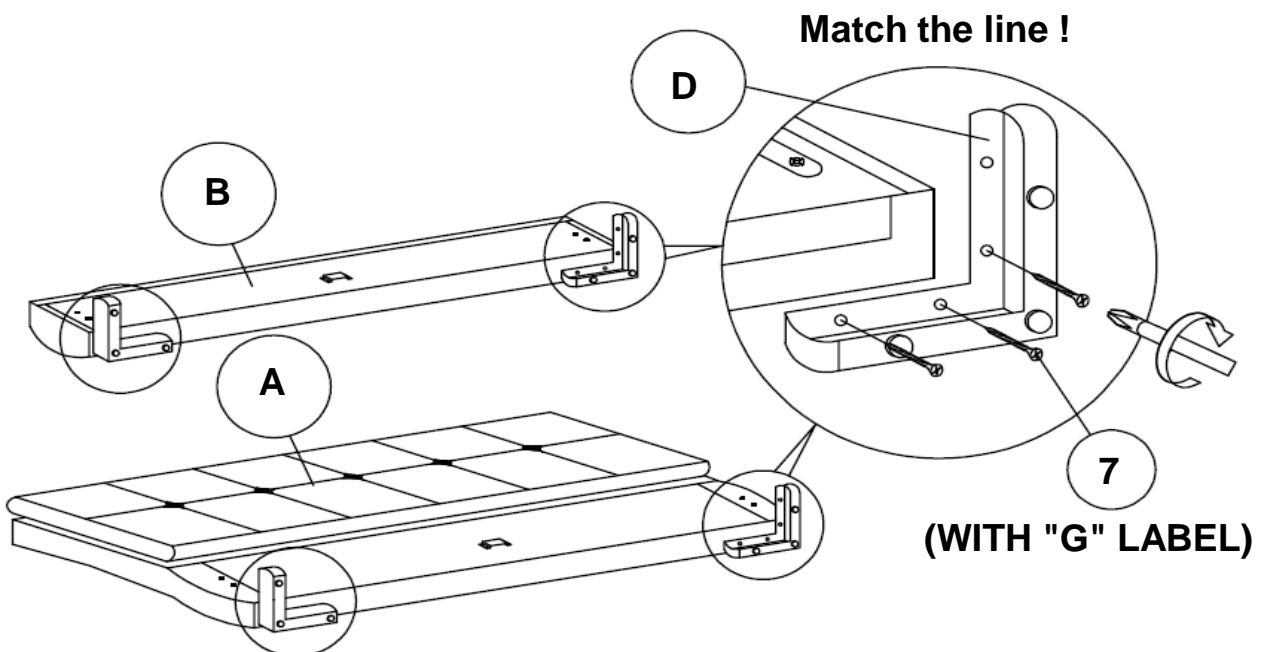


## ASSEMBLY INSTRUCTIONS

### STEP 16

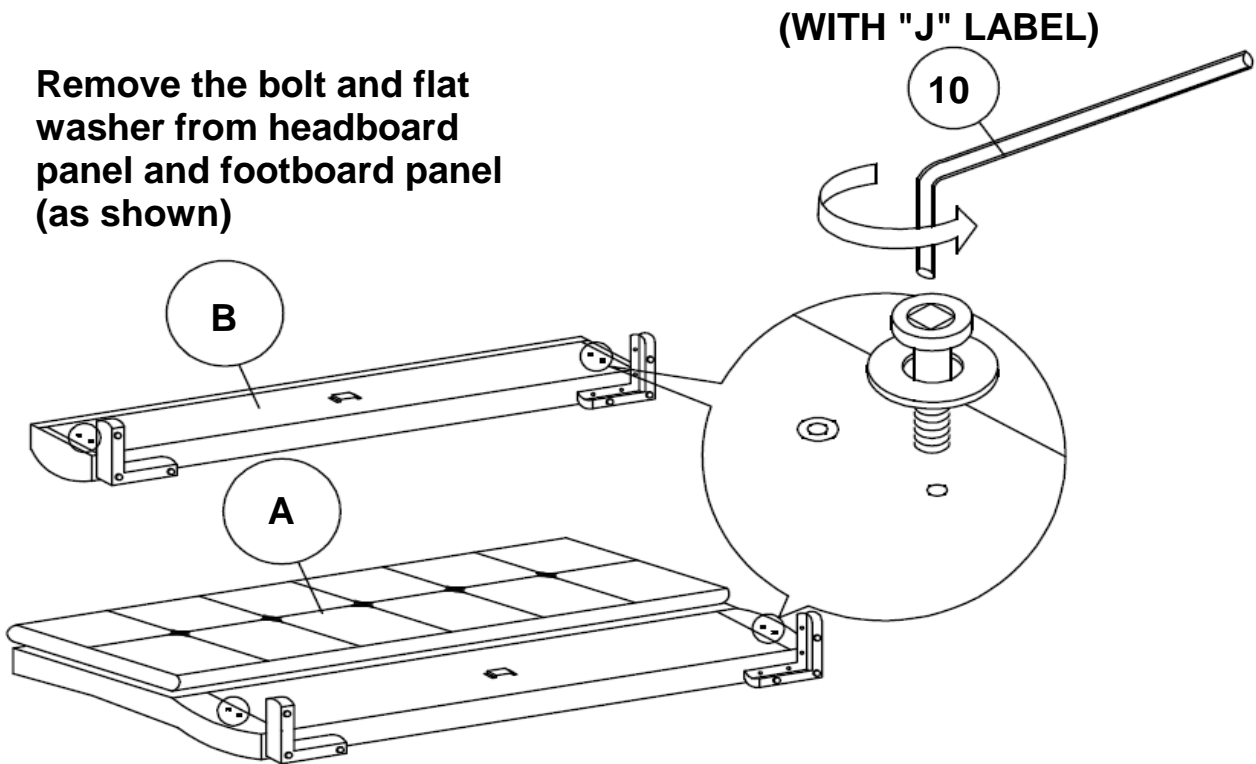


### STEP 17



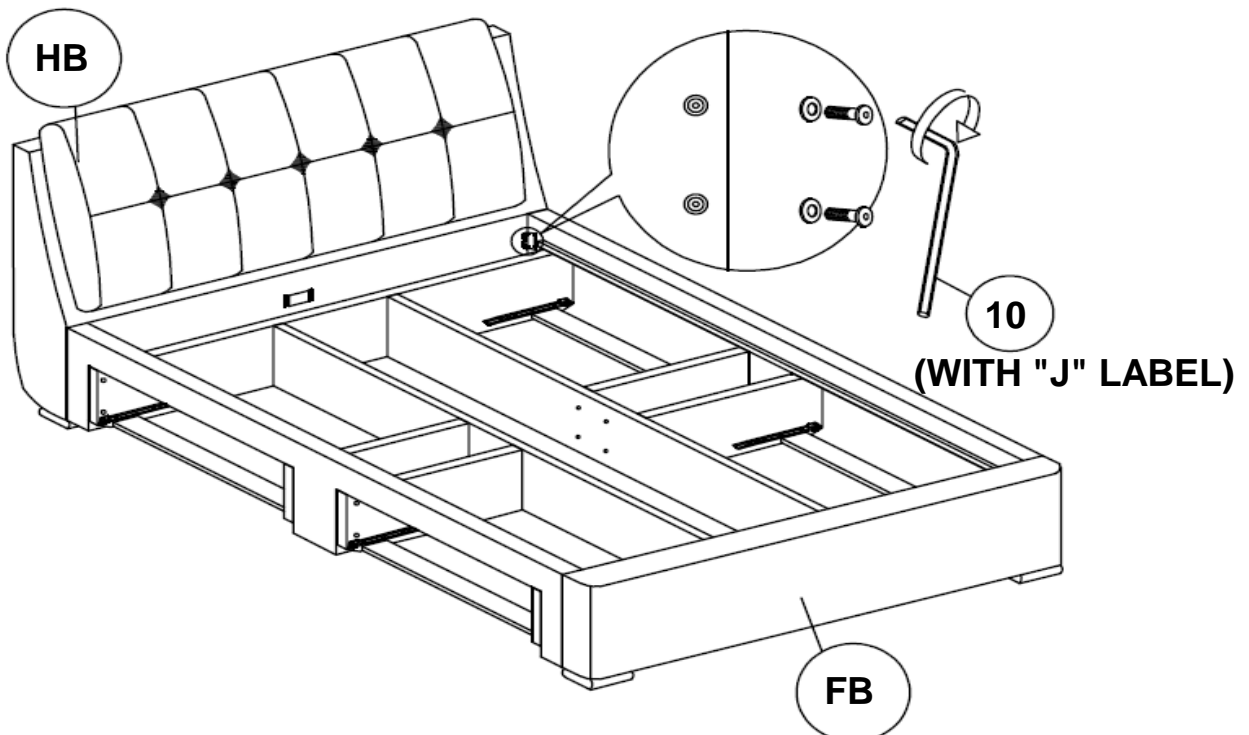
**ASSEMBLY INSTRUCTIONS**  
**STEP 18**

Remove the bolt and flat washer from headboard panel and footboard panel (as shown)



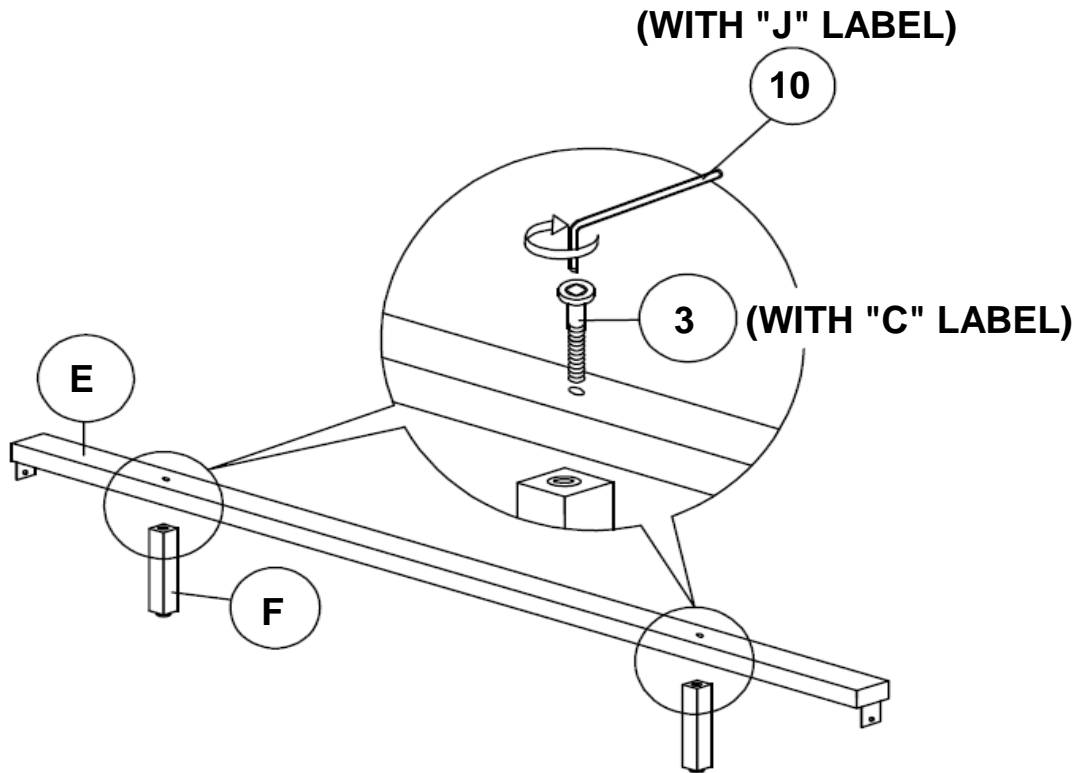
**STEP 19**

Align and fasten bolt and flat washer using allen wrench.

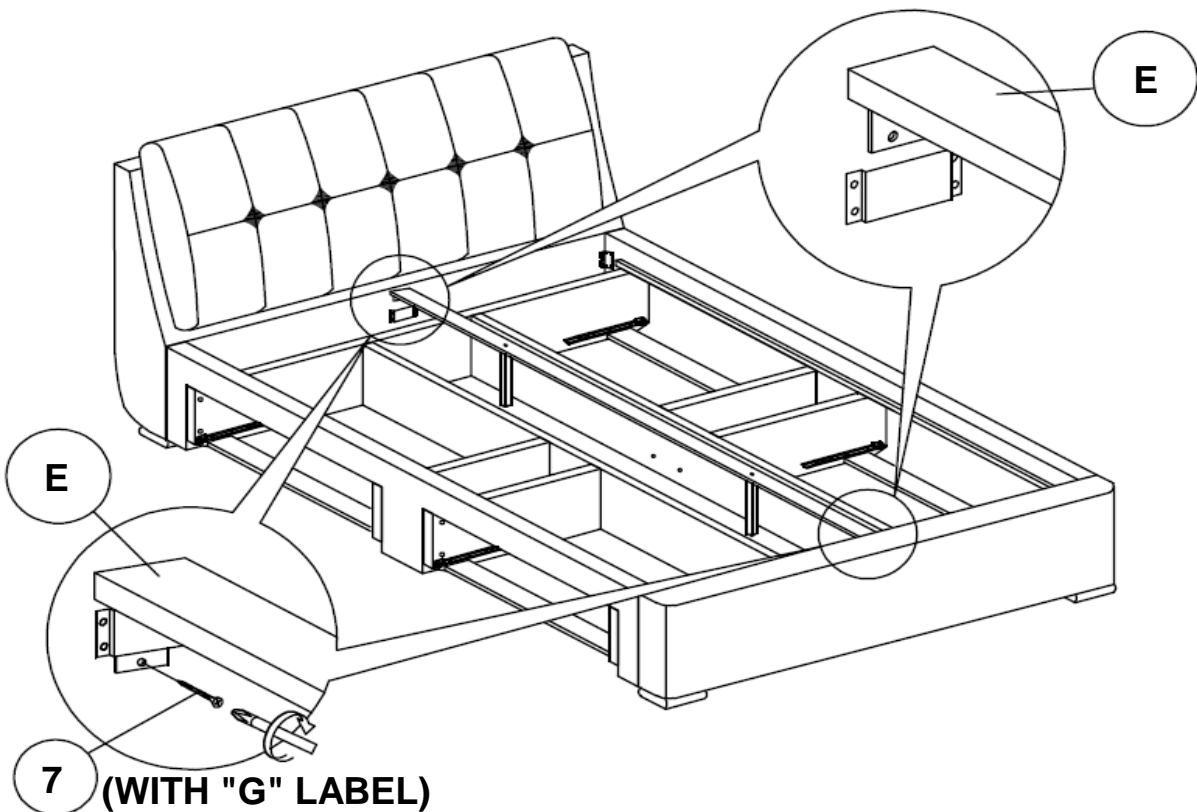


# ITEM: 300523Q (B1-B5)

## ASSEMBLY INSTRUCTIONS STEP 20



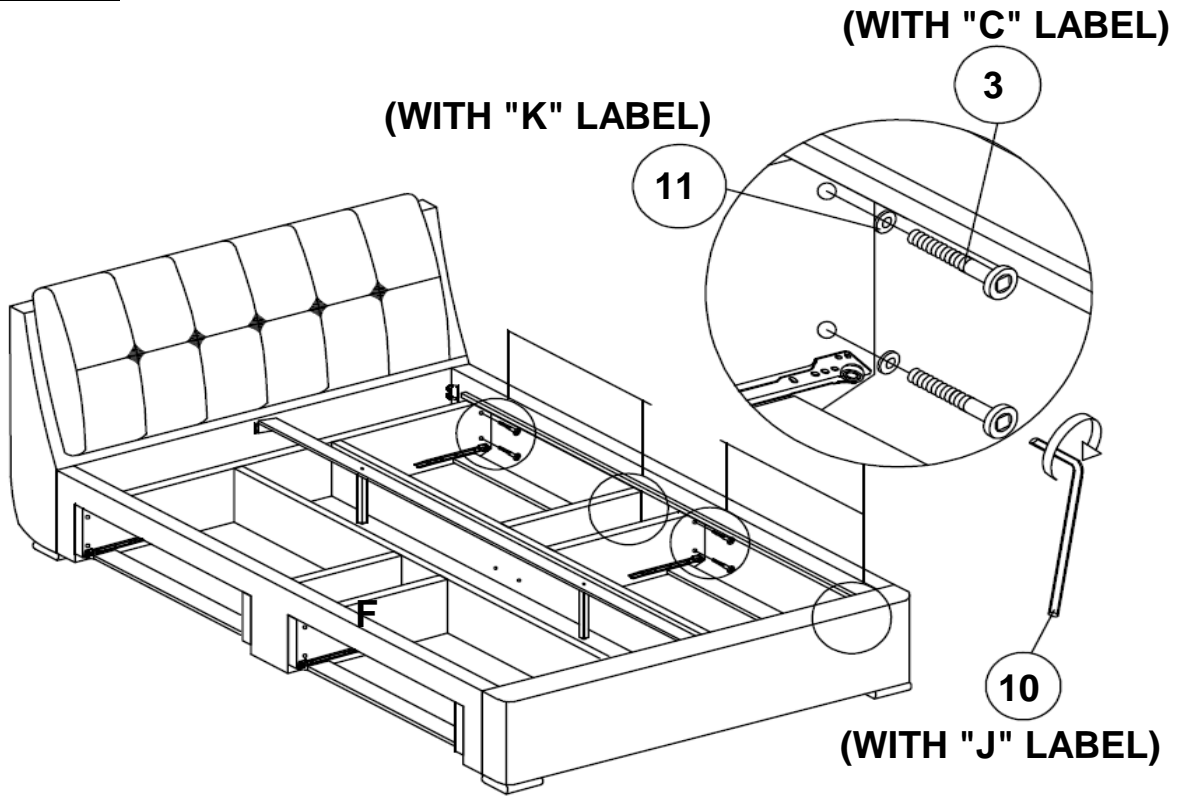
## STEP 21



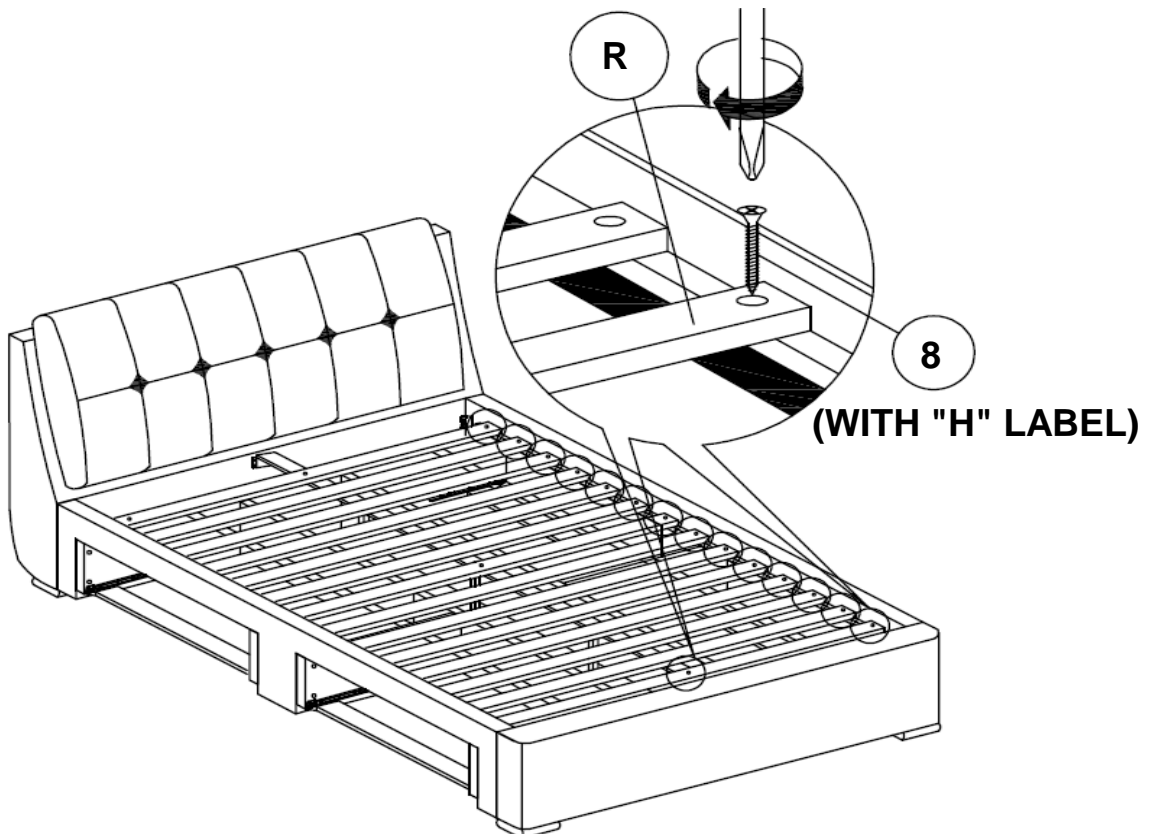
ITEM: **300523Q (B1-B5)**



**ASSEMBLY INSTRUCTIONS**  
**STEP 22**



**STEP 23**



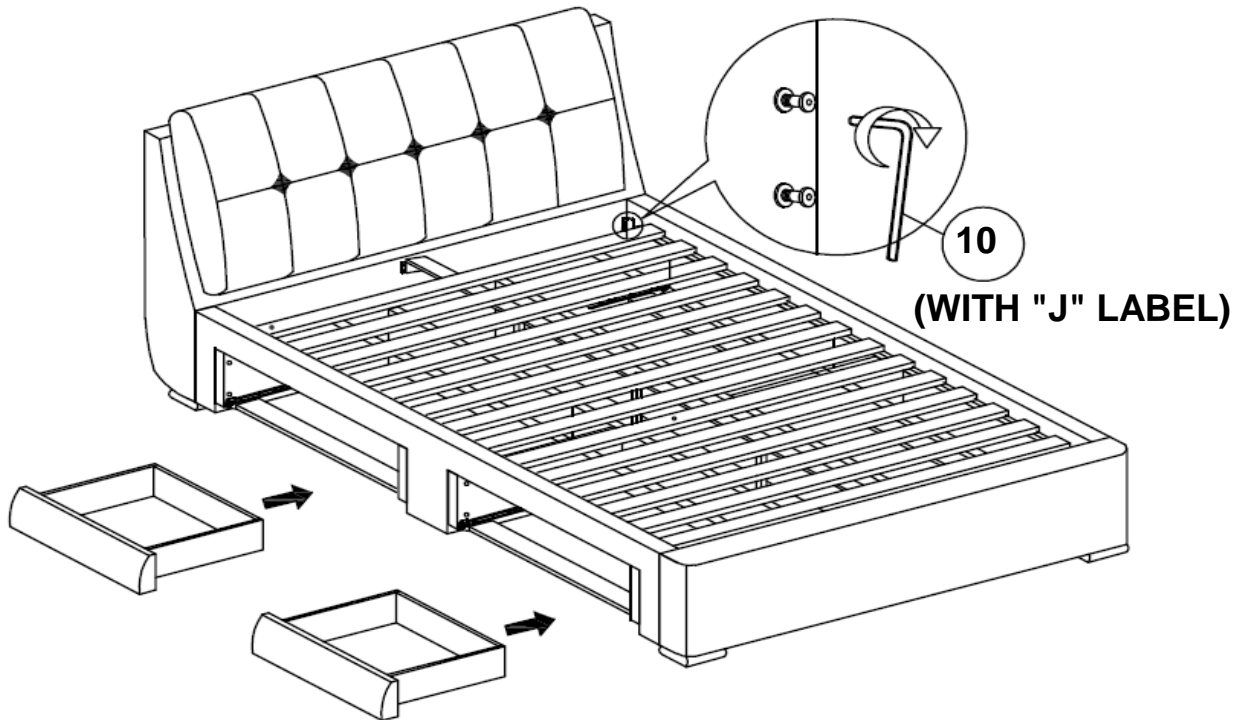
ITEM: **300523Q (B1-B5)**



**ASSEMBLY INSTRUCTIONS**

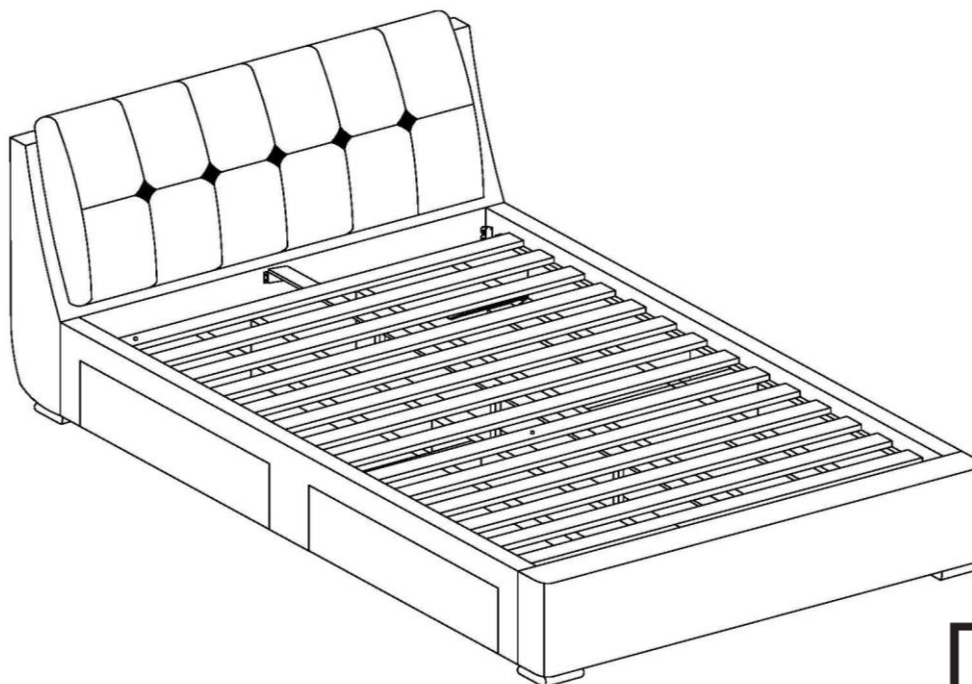
**STEP 24**

Fully tighten the bolt from STEP 19 with Allen wrench

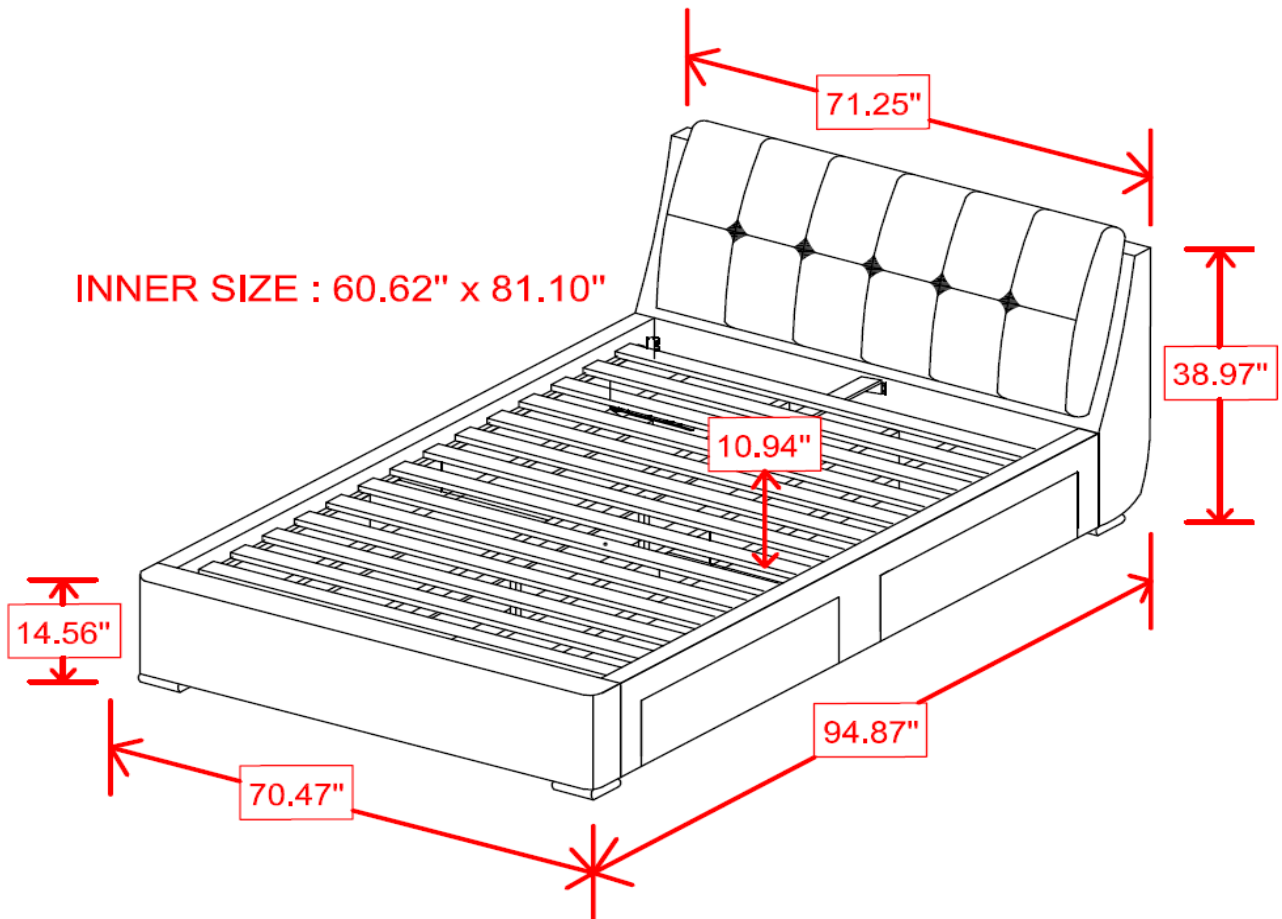


**STEP 25**

**COMPLETE**



ITEM: **300523Q (B1-B5)**



**Note** : Dimension tolerance  $\pm 5\%$