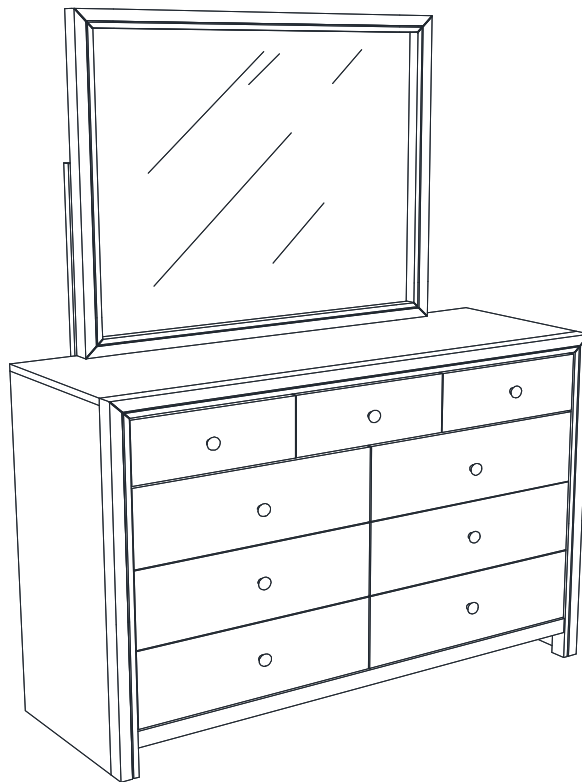


ASSEMBLY INSTRUCTIONS
COASTER FINE FURNITURE



Fine Furniture for every stage of life

201974
Mirror

REVISION 0 : 07/24/2011
REVISION 1 : 09/14/2011
REVISION 2 : 10/01/2018
REVISION 3 : 12/04/2018
REVISION 4 : 07/07/2020

ITEM:201974



ASSEMBLY INSTRUCTIONS

ASSEMBLY TIPS:

1. Remove hardware from box and sort by size.
2. Please check to see that all hardware and parts are present prior to start of assembly.
3. Please follow attached instructions in the same sequence as numbered to assure fast & easy assembly.



WARNING!



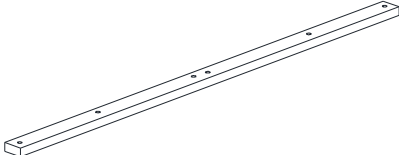
1. Don't attempt to repair or modify parts that are broken or defective. Please contact the store immediately.
2. This product is for home use only and not intended for commercial establishments.



ASSEMBLY TIME

10 MINUTES

PARTS IDENTIFICATION

A	MIRROR		1PC
B	DRESSER FROM BOX ITEM # 201973		1PC
C	MIRROR SUPPORT (PACKED WITH DRESSER)		2PCS

HARDWARE IDENTIFICATION

1	FLAT HEAD SCREW (M4 x 32mm - RBW)		10PCS
---	--------------------------------------	--------------------------------------------------------------------------------------	-------

NOTE:

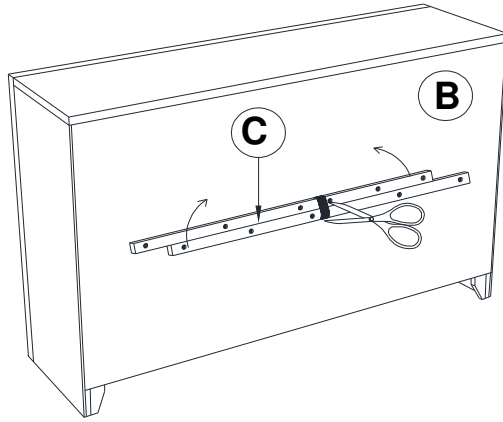
Phillips head screw driver is required in the assembly process; however, manufacturer does not provide this item.

ITEM: 201974

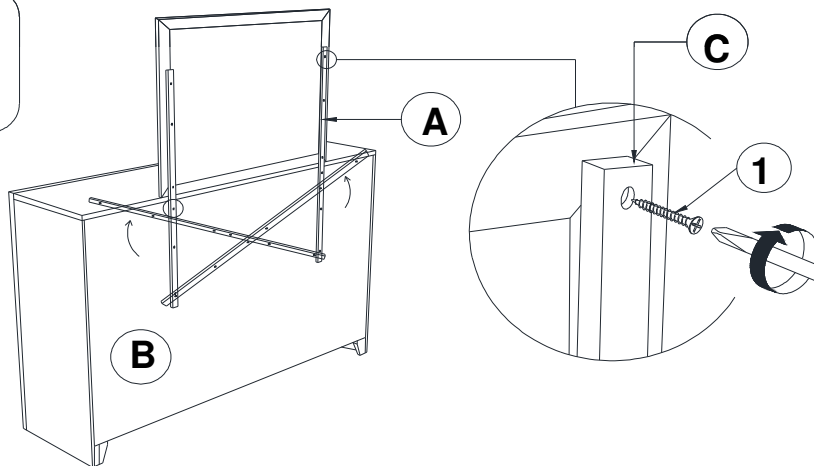
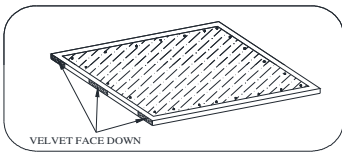


ASSEMBLY INSTRUCTIONS

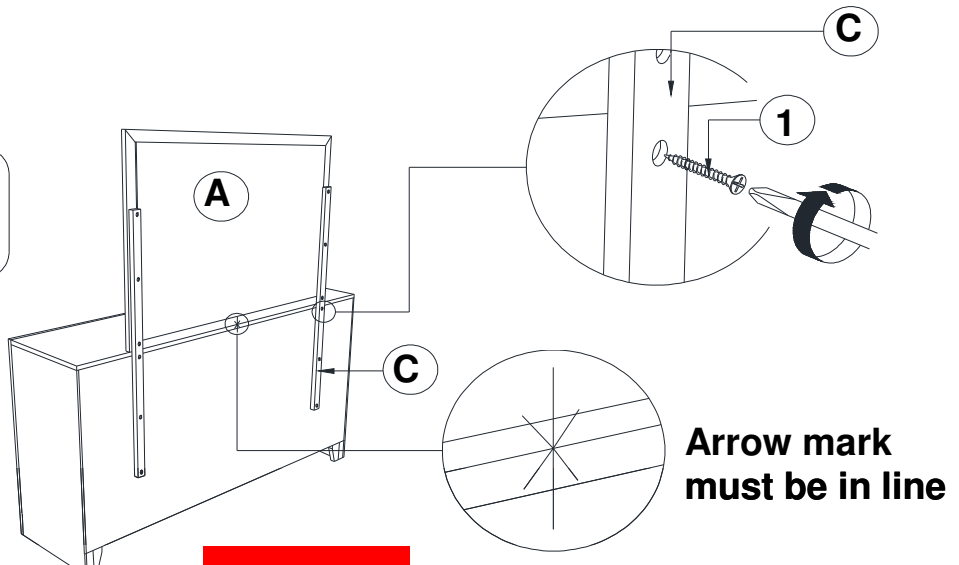
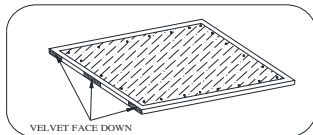
STEP 1



STEP 2



STEP 3



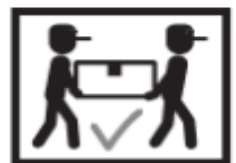
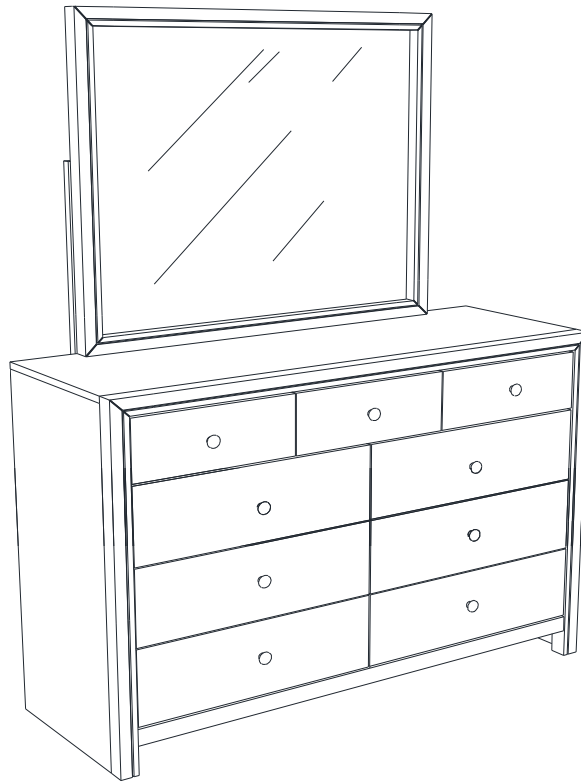
ITEM: **201974**



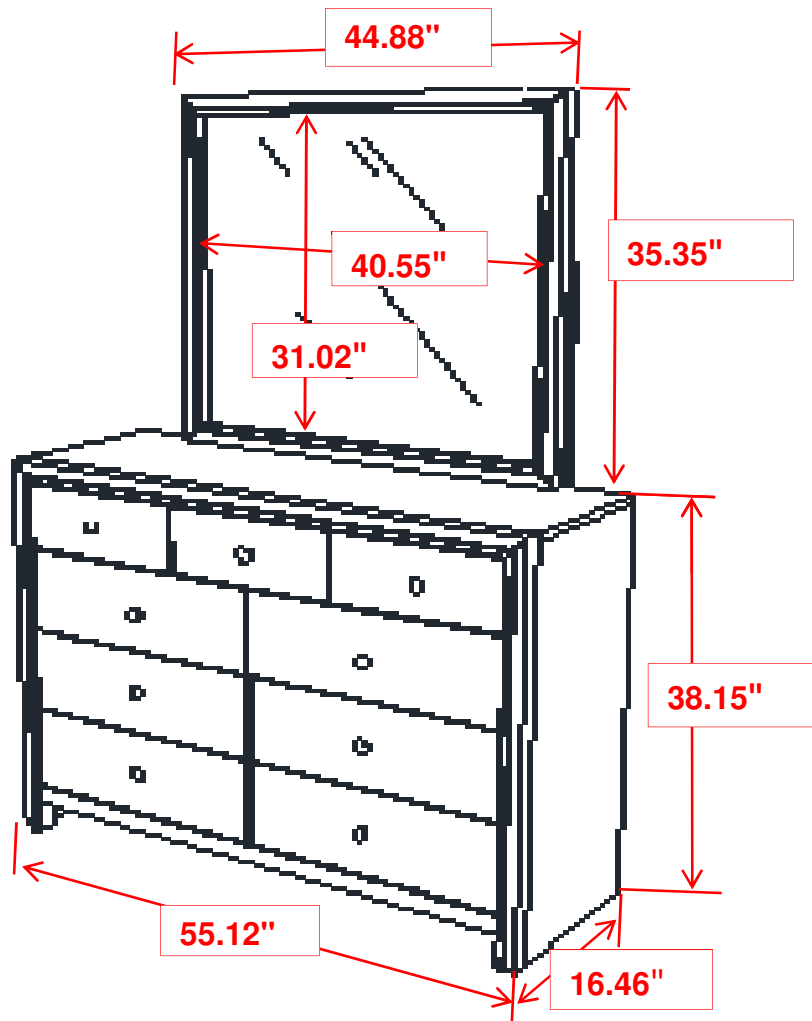
ASSEMBLY INSTRUCTIONS

STEP 4

COMPLETE



ITEM:201974



Note : Dimension tolerance $\pm 5\%$