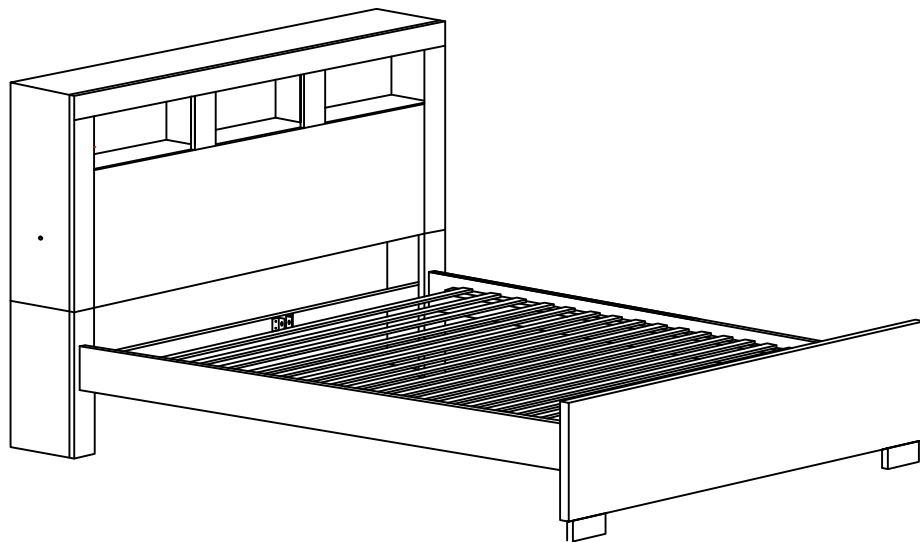


ASSEMBLY INSTRUCTIONS COASTER FINE FURNITURE



Fine Furniture for every stage of life

200719Q(B1-B4) *Queen Bed*

REVISION 0 : 07/03/2009
REVISION 1 : 09/27/2012
REVISION 2 : 02/09/2017
REVISION 3 : 09/18/2018
REVISION 4 : 12/02/2019
REVISION 5 : 08/04/2020

ITEM: 200719Q (B1-B4)



ASSEMBLY INSTRUCTIONS

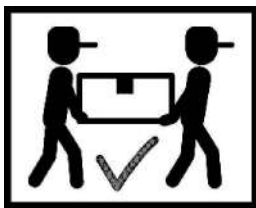
ASSEMBLY TIPS:

1. Remove hardware from box and sort by size.
2. Please check to see that all hardware and parts are present prior to start of assembly.
3. Please follow attached instructions in the same sequence as numbered to assure fast & easy assembly.



WARNING!

1. Don't attempt to repair or modify parts that are broken or defective. Please contact the store immediately.
2. This product is for home use only and not intended for commercial establishments.



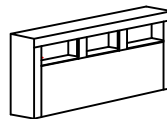
ASSEMBLY TIME

25 MINUTES

PARTS IDENTIFICATION

B1 (BOX 1)

1 HEADBOARD PANEL



1PC

2L LEFT HEADBOARD LEG



1PC

2R RIGHT HEADBOARD LEG



1PC

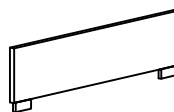
8 HEADBOARD BOTTOM RAIL



1PC

B2 (BOX 2)

3 FOOTBOARD



1PC

B3 (BOX 3)

4L LEFT BED RAIL



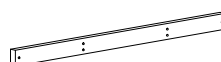
1PC

4R RIGHT BED RAIL



1PC

5 CENTER RAIL



1PC

ITEM: 200719Q (B1-B4)



ASSEMBLY INSTRUCTIONS

ASSEMBLY TIPS:

1. Remove hardware from box and sort by size.
2. Please check to see that all hardware and parts are present prior to start of assembly.
3. Please follow attached instructions in the same sequence as numbered to assure fast & easy assembly.



WARNING!

1. Don't attempt to repair or modify parts that are broken or defective. Please contact the store immediately.
2. This product is for home use only and not intended for commercial establishments.

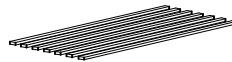
6 CENTER RAIL SUPPORT WITH LEVELER



2PCS

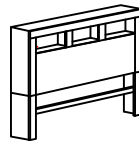
B4 (BOX 4)

7 ROLL SLAT (7PCS)



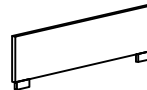
2SETS

HB 200719Q (B1)
FROM BOX 1
HEADBOARD COMPLETE



1PC

3 200719Q (B2)
FROM BOX 2
FOOTBOARD



1PC

ITEM: 200719Q (B1-B4)



ASSEMBLY INSTRUCTIONS

ASSEMBLY TIPS:

1. Remove hardware from box and sort by size.
2. Please check to see that all hardware and parts are present prior to start of assembly.
3. Please follow attached instructions in the same sequence as numbered to assure fast & easy assembly.


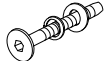







WARNING!

1. Don't attempt to repair or modify parts that are broken or defective. Please contact the store immediately.
2. This product is for home use only and not intended for commercial establishments.

HARDWARE IDENTIFICATION

Z-B1 (BOX 1) - HARDWARE PACK IS LOCATED IN 200719Q(B1)

A	ALLEN WRENCH (M4 x 110mm - BLK)		1PC
B	BOLT (M6 x 50mm - BLK)		14PCS
C	LONG FLAT HEAD SCREW (M4 x 32mm- BLK)		28PCS
D	SHORT FLAT HEAD SCREW (M4 x 20mm - BLK)		8PCS
E	WRENCH (2 x 24.5 x 85 - RBW)		1PC
F	HEX NUT (M6 - RBW)		2PCS
G	U BRACKET (26 x 63 x 70mm - RBW)		2PCS

NOTE:

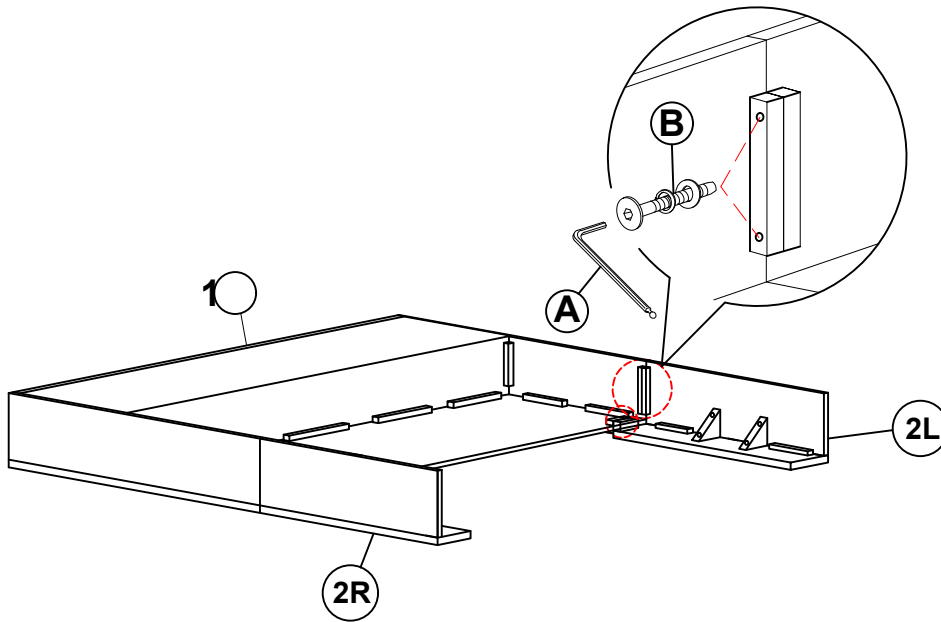
Phillips head screw driver is required in the assembly process; however, manufacturer does not provide this item.

ITEM: **200719Q (B1-B4)**

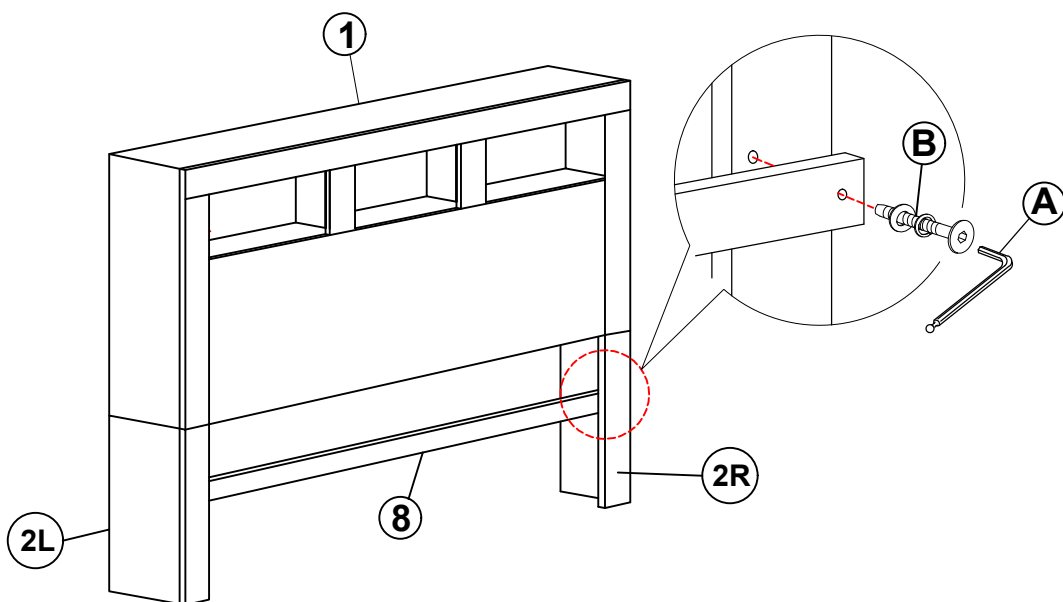


ASSEMBLY INSTRUCTIONS

STEP 1



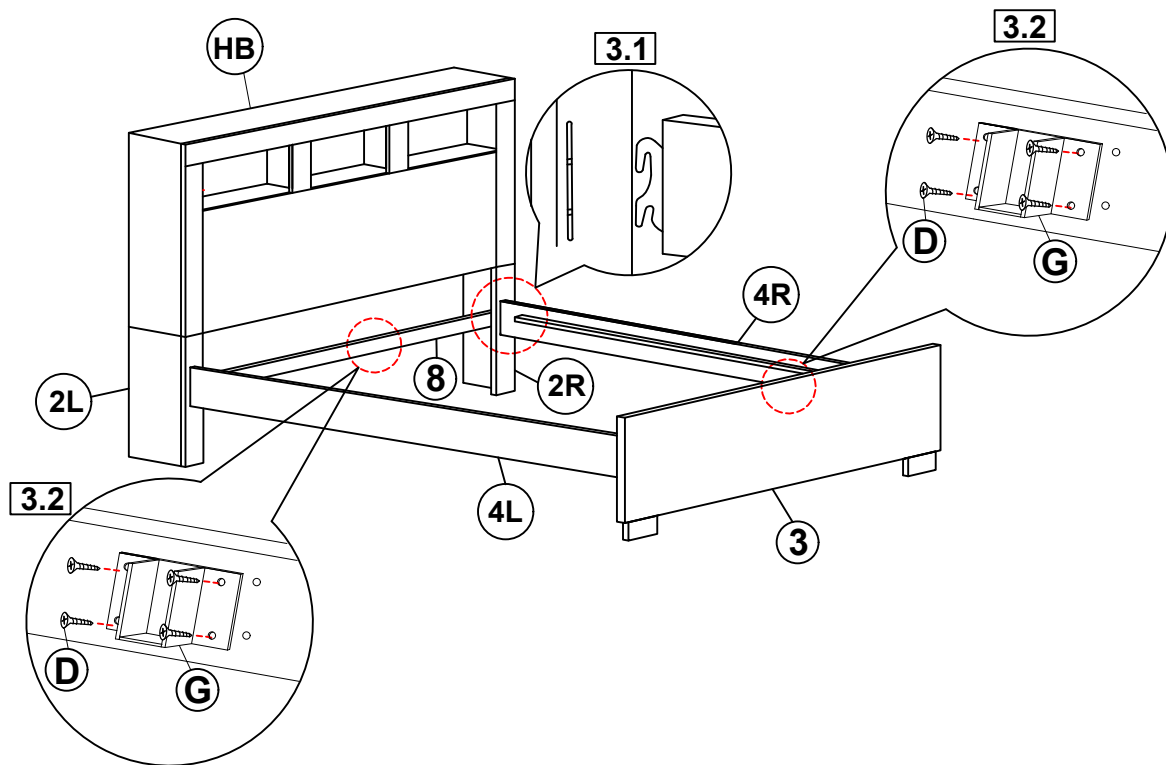
STEP 2



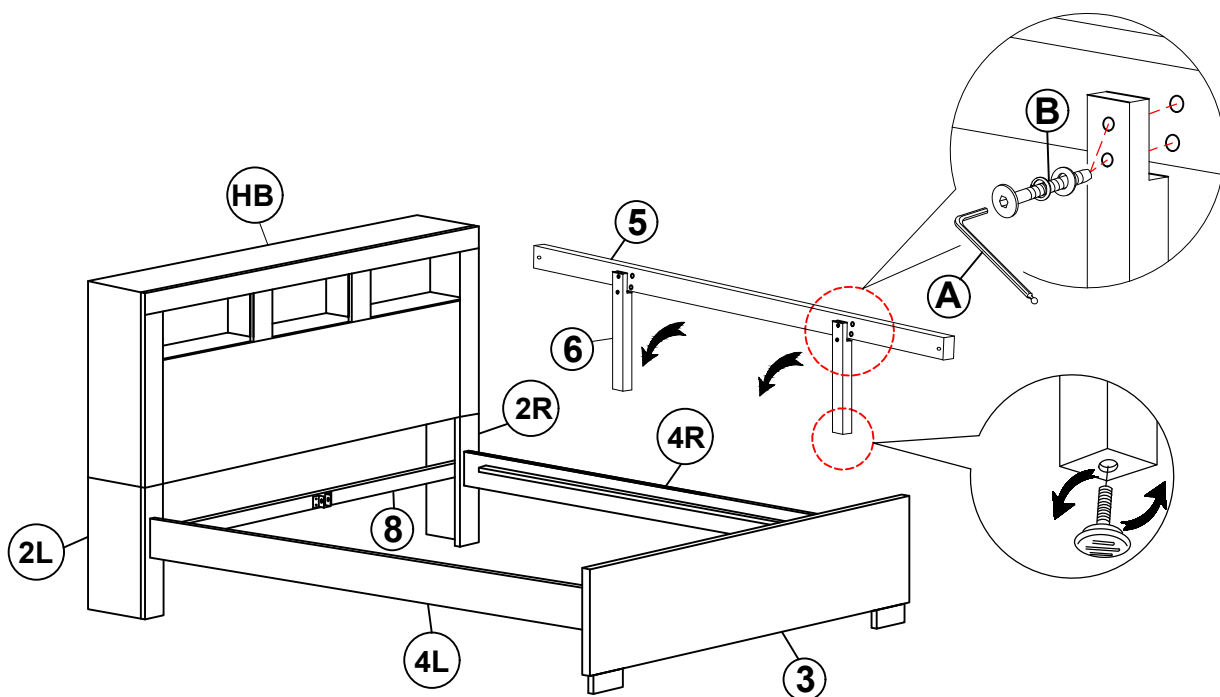
ITEM: 200719Q (B1-B4)



ASSEMBLY INSTRUCTIONS STEP 3



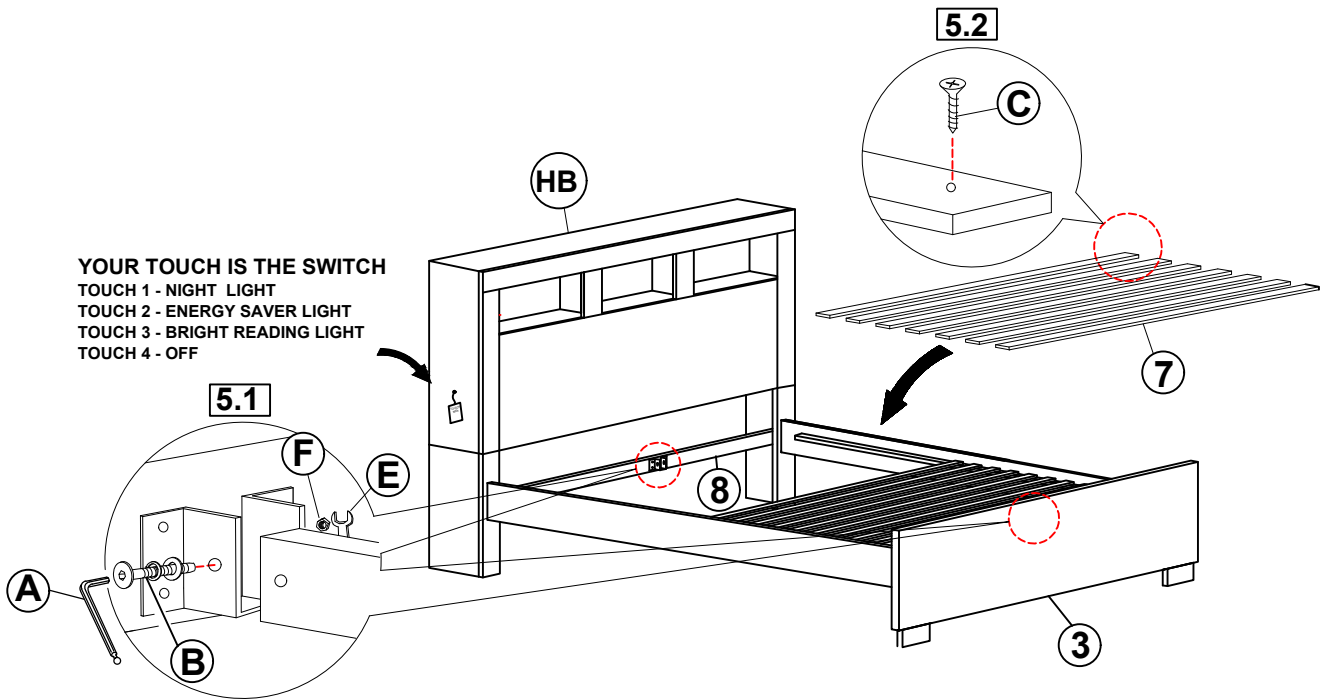
STEP 4



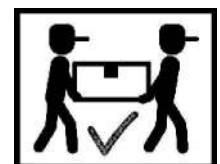
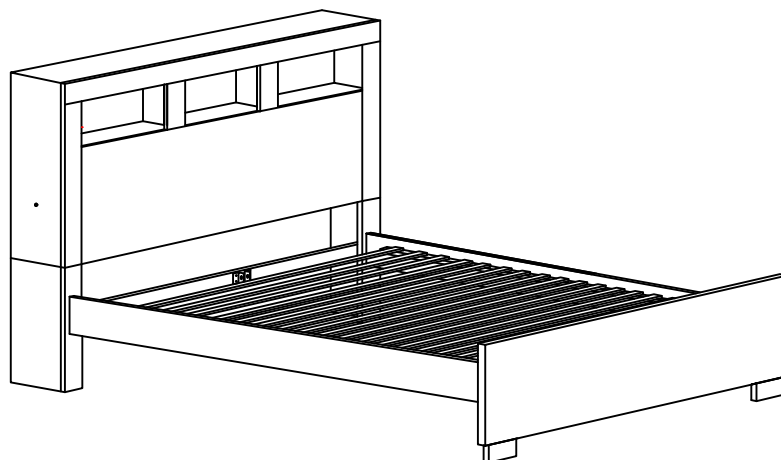
ITEM: 200719Q (B1-B4)



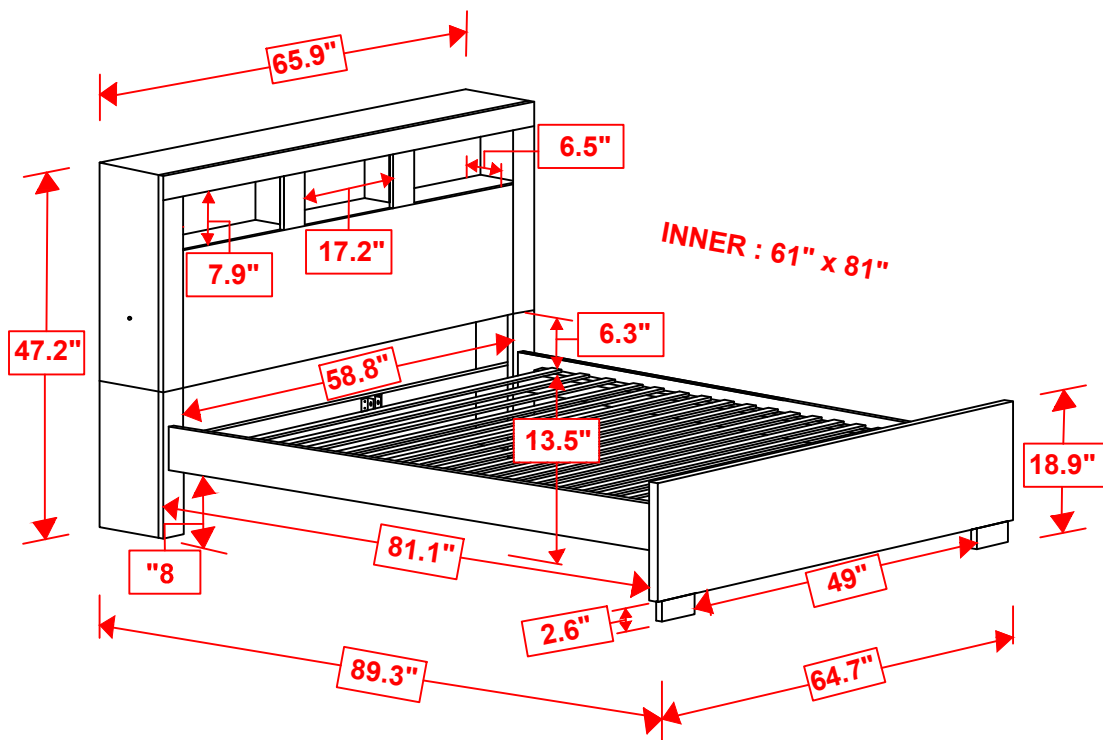
ASSEMBLY INSTRUCTIONS STEP 5



STEP 6 COMPLETE



ITEM: 200719Q (B1-B4)



NOTE : DIMENSION TOLERANCE \pm 5%

COASTERFURNITURE.COM