

ASSEMBLY INSTRUCTIONS
COASTER FINE FURNITURE



Fine Furniture for every stage of life

192502
Dining Chair

ITEM: **192502**



ASSEMBLY INSTRUCTIONS

ASSEMBLY TIPS:

1. Remove hardware from box and sort by size.
2. Please check to see that all hardware and parts are present prior to start of assembly.
3. Please follow attached instructions in the same sequence as numbered to assure fast & easy assembly.



WARNING!

1. Don't attempt to repair or modify parts that are broken or defective. Please contact the store immediately.
2. This product is for home use only and not intended for commercial establishments.



ASSEMBLY TIME

10 MINUTES

PARTS IDENTIFICATION

A CHAIR



1 PC

SC SEAT CUSHION
WITH AL CROW



1 SET

BC BACK CUSHION
WITH AL CROW

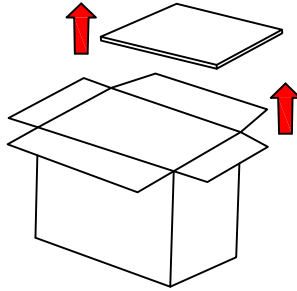


1 SET

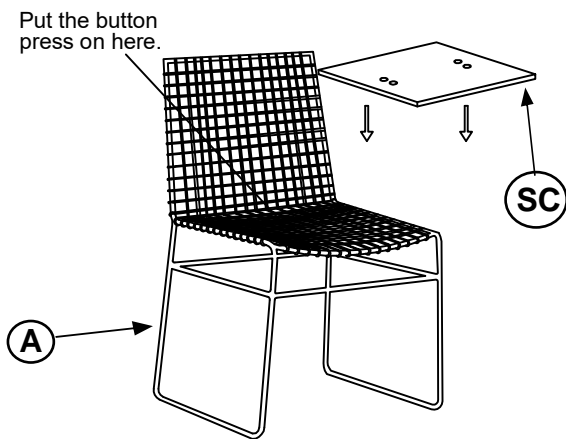
ITEM : **192502**

ASSEMBLY INSTRUCTIONS

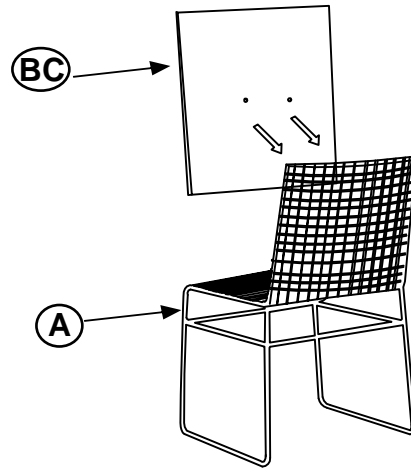
STEP 1



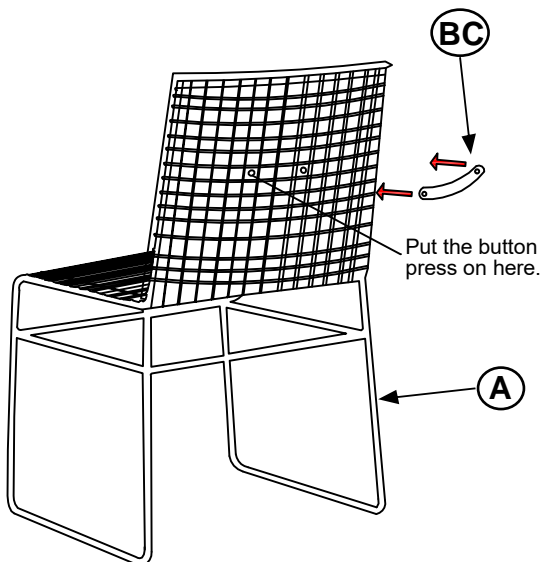
STEP 2



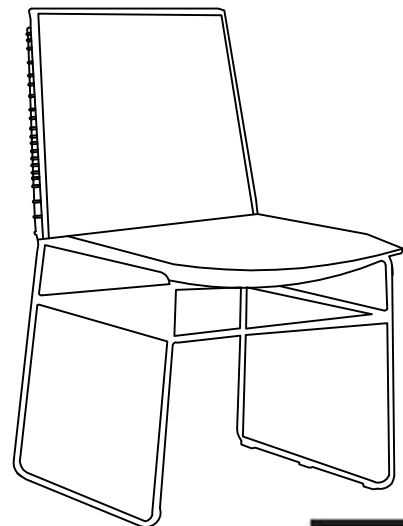
STEP 3



STEP 4

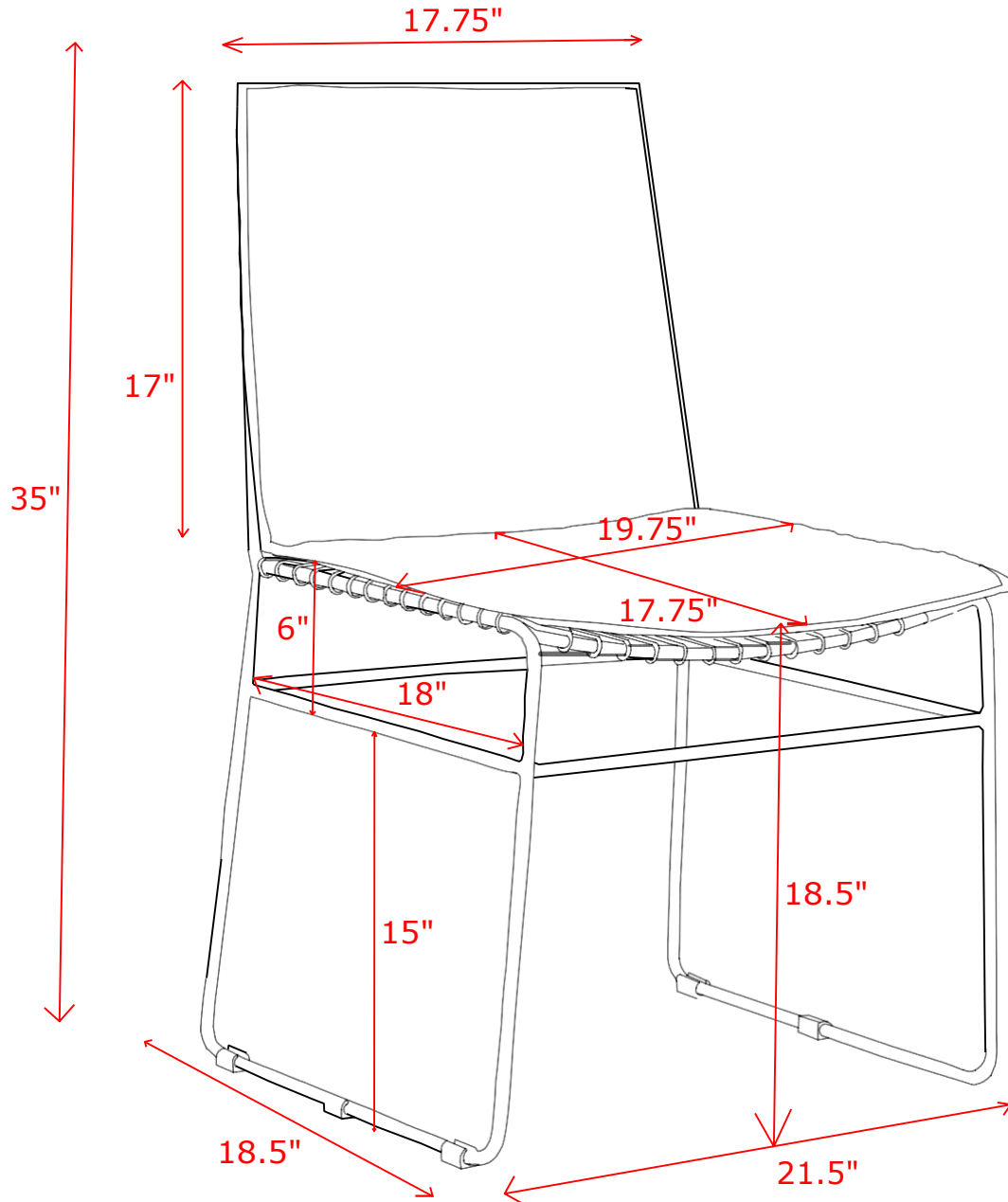


STEP 5 **COMPLETE**



ITEM : **192502**

COASTER
FINE FURNITURE



Note : Dimension tolerance $\pm 5\%$