

ASSEMBLY INSTRUCTIONS
COASTER FINE FURNITURE



Fine Furniture for every stage of life

180201 (B1&B2)
Dining Table

REVISION 0 : 10/21/2015
REVISION 1 : 01/15/2019
REVISION 2 : 08/15/2019

ITEM: 180201(B1&B2)

ASSEMBLY INSTRUCTIONS

ASSEMBLY TIPS:

1. Remove hardware from box and sort by size.
2. Please check to see that all hardware and parts are present prior to start of assembly.
3. Please follow attached instruction in the same sequence as numbered to assure fast and easy assembly.



WARNING !

1. Don't attempt to repair or modify parts that are broken or defective. Please contact the store immediately.
2. This product is for home use only and not intended for commercial establishment.



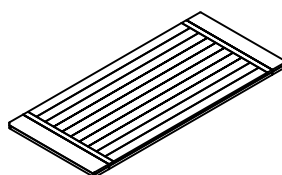
ASSEMBLY TIME

25 MINUTES

PARTS IDENTIFICATION

B1 (BOX 1)

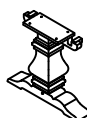
A TOP



1PC

B2 (BOX 2)

B BASE



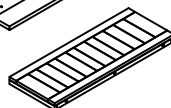
2PCS

C TRESTLE BAR



1PC

D LEAF



2PCS

HARDWARE IDENTIFICATION

Z-B1 (BOX 1) - HARDWARE PACK IS LOCATED IN 180201 (B1)

1 **THREADED BOLT**
(M8 x 100mm - BLK)



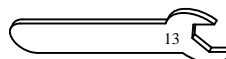
2PCS

2 **HEX NUT**
(M8 x 15mm - RBW)



2PCS

3 **BIG WRENCH (#13)**
(2 x 24 x 90mm - RBW)



1PC

4 **BOLT**
(M8 x 50mm - RBW)



8PCS

5 **LOCK WASHER**
(M8 - RBW)



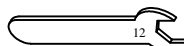
8PCS

6 **FLAT WASHER**
(M8 - RBW)



8PCS

7 **SMALL WRENCH (#12)**
(M12 - SR)

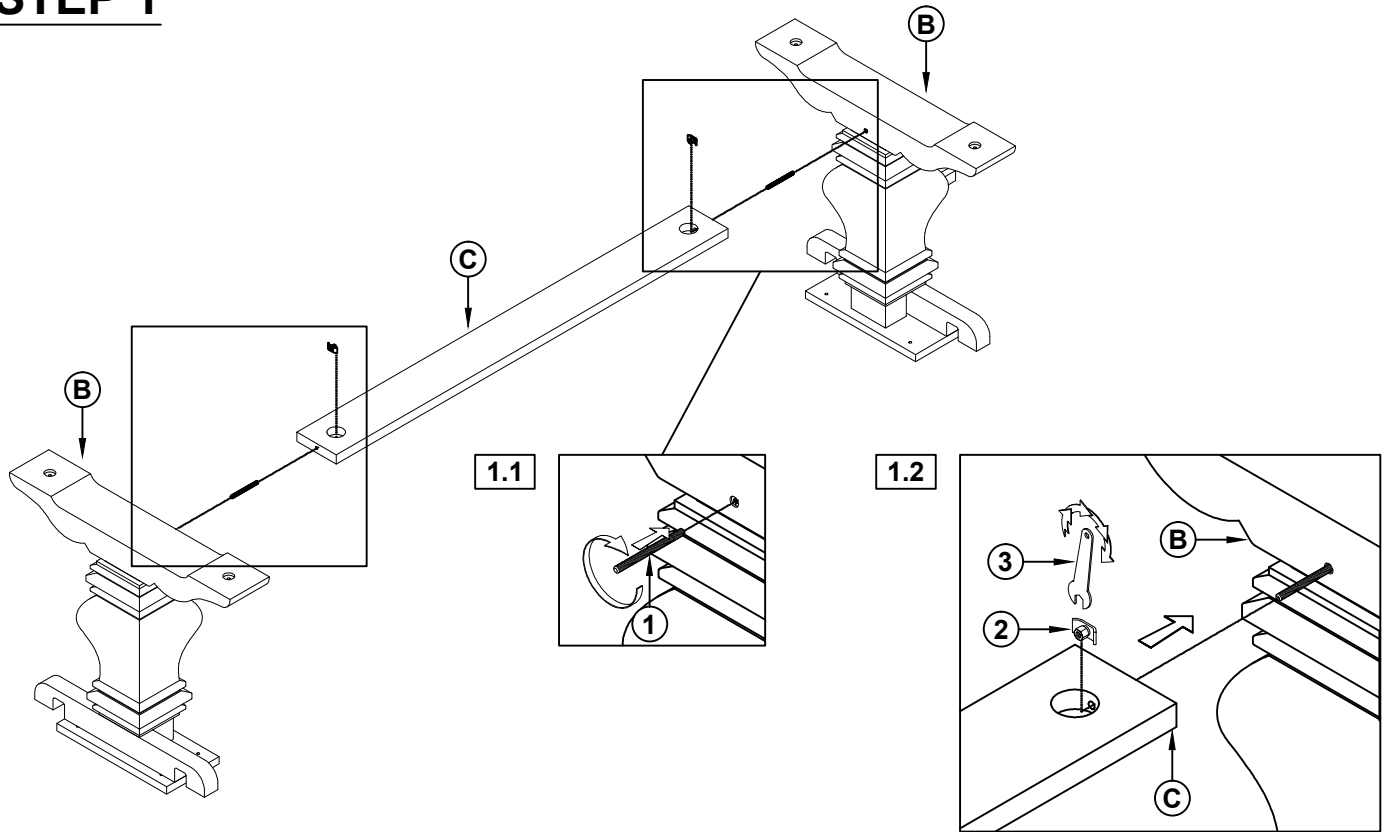


1PC

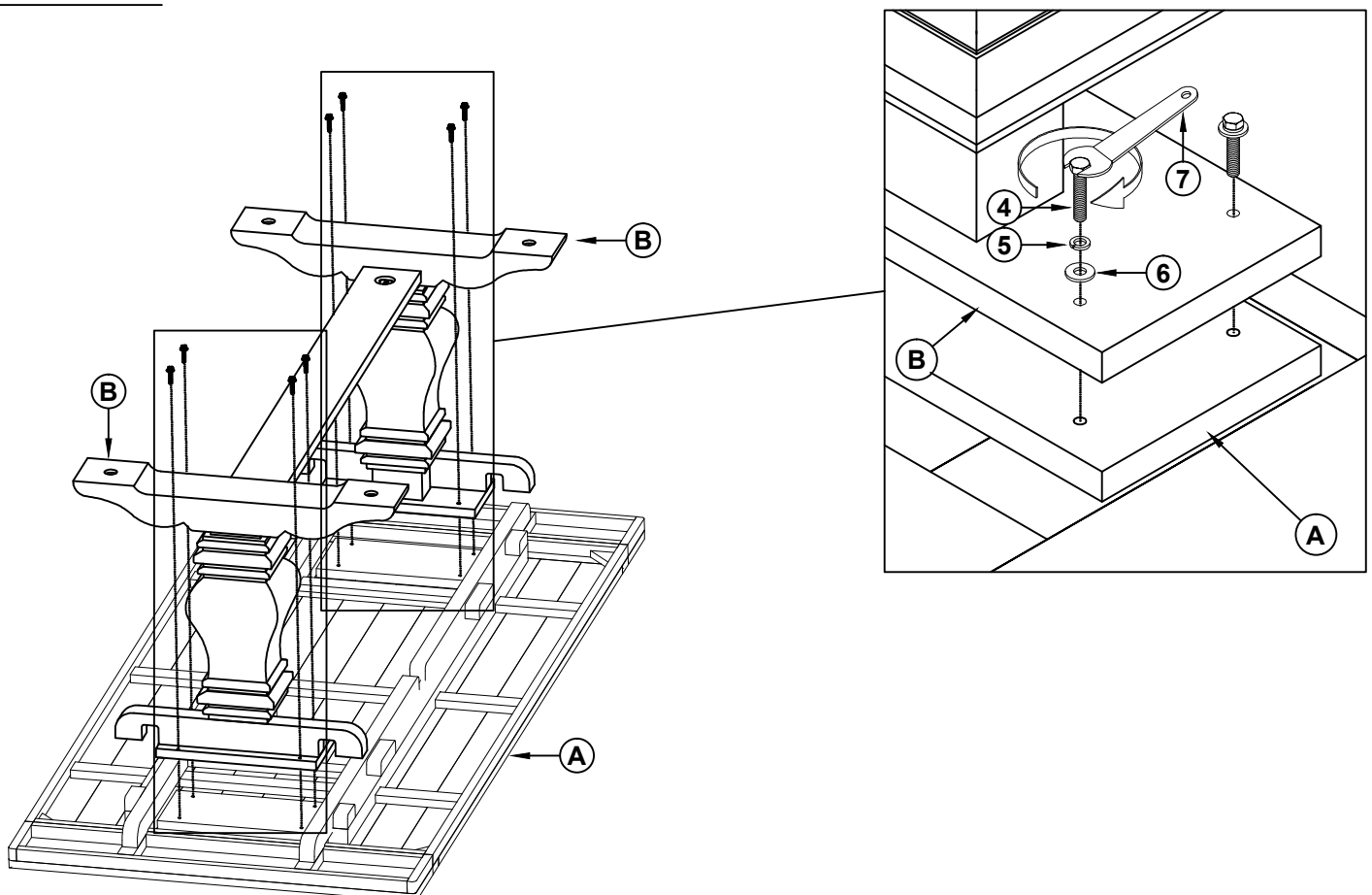
ITEM: 180201(B1&B2)

ASSEMBLY INSTRUCTIONS

STEP 1



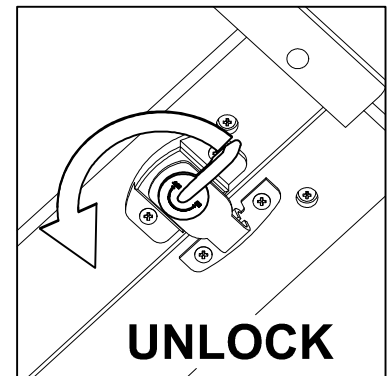
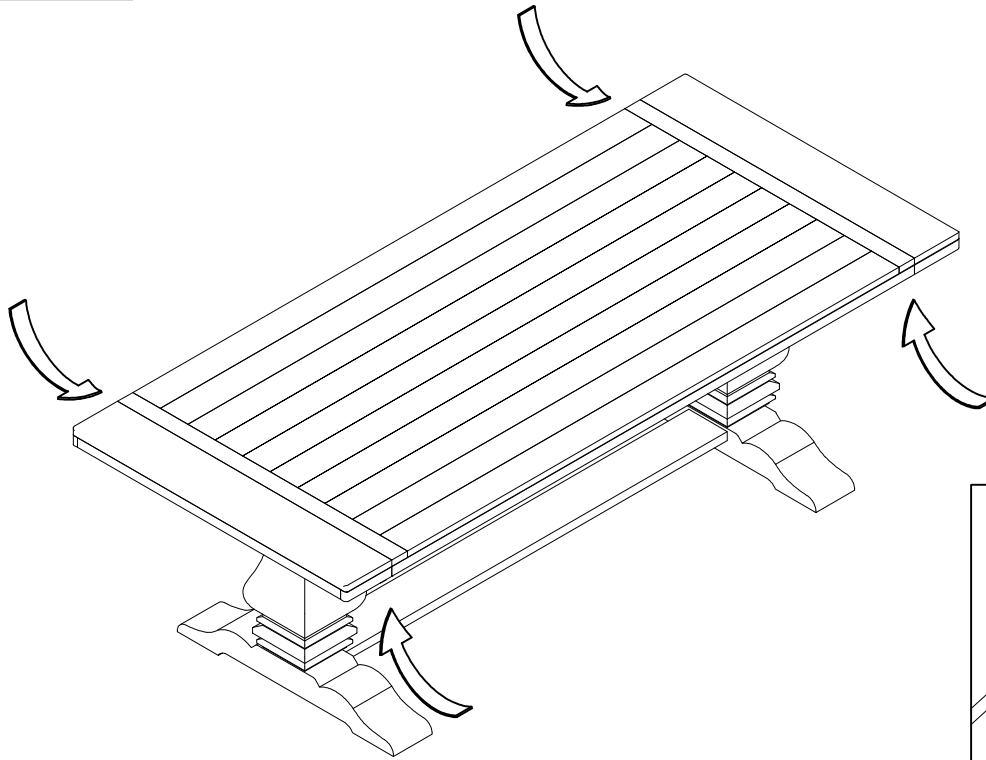
STEP 2



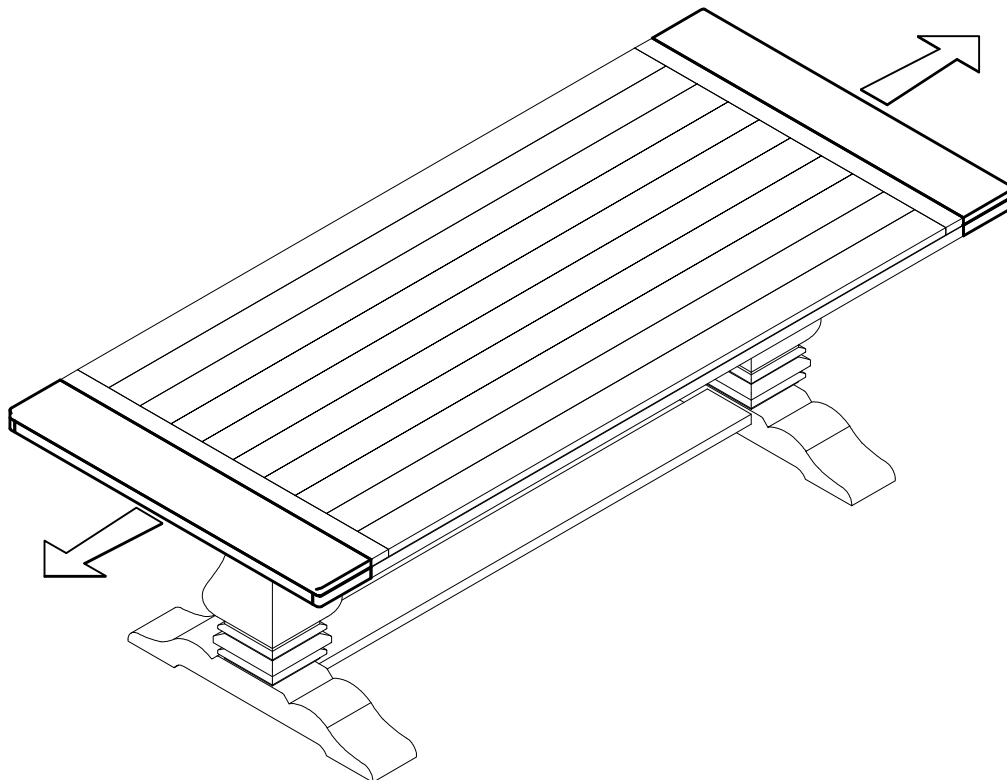
ITEM: 180201(B1&B2)

ASSEMBLY INSTRUCTIONS

STEP 3

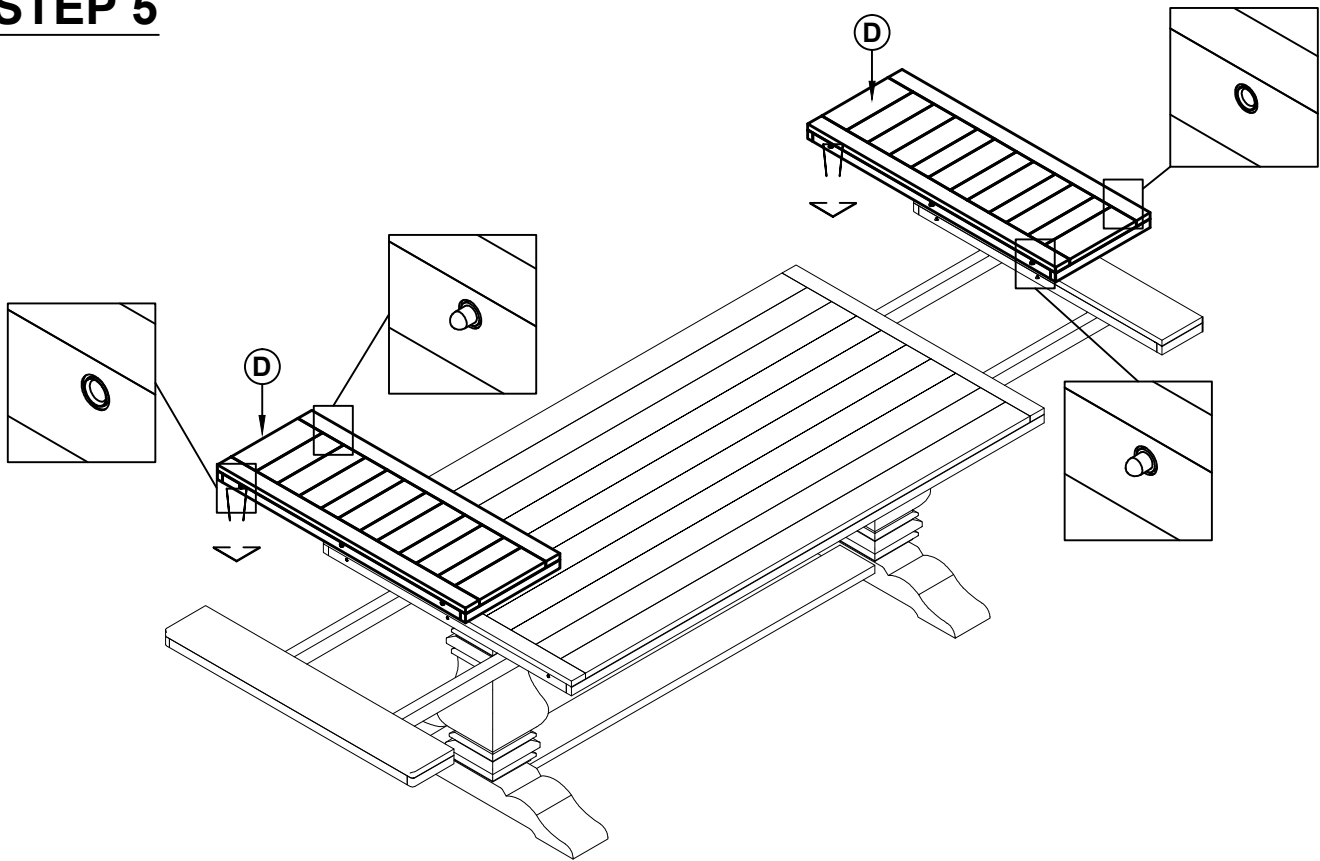


STEP 4

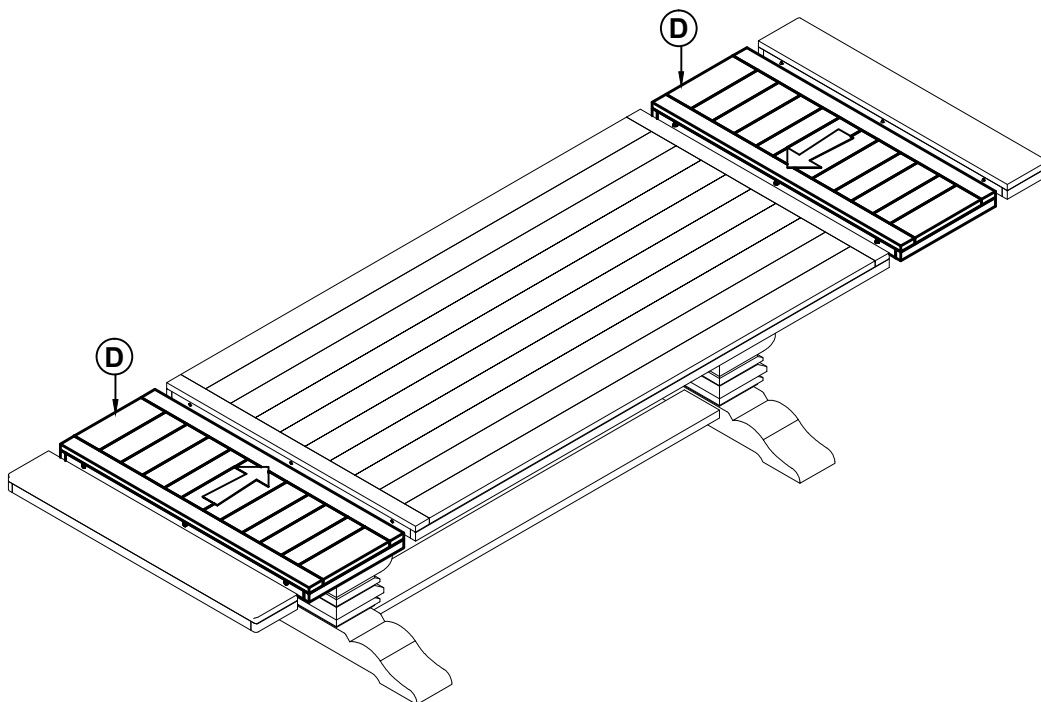


ITEM: **180201(B1&B2)**
ASSEMBLY INSTRUCTIONS

STEP 5



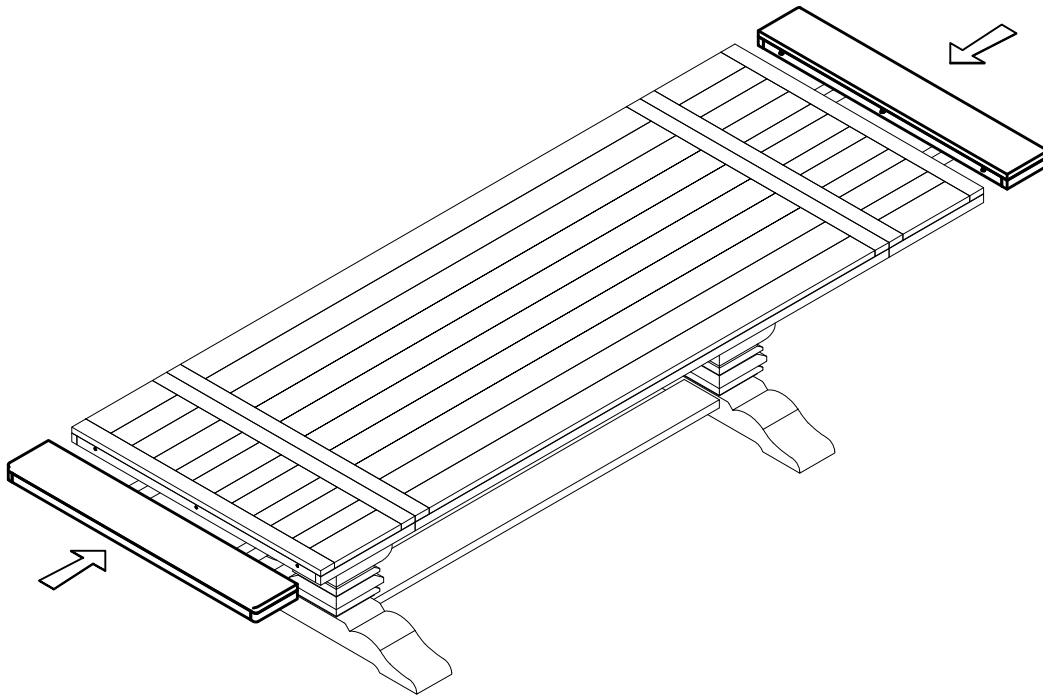
STEP 6



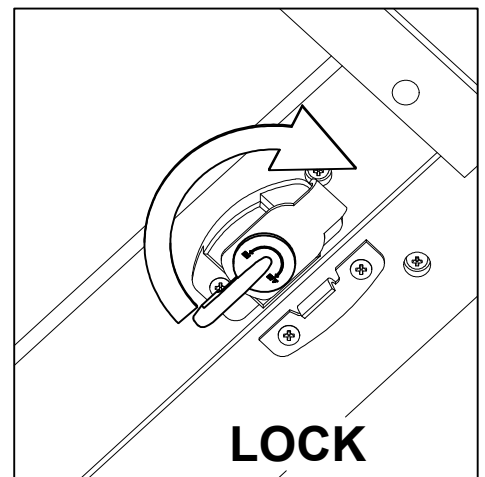
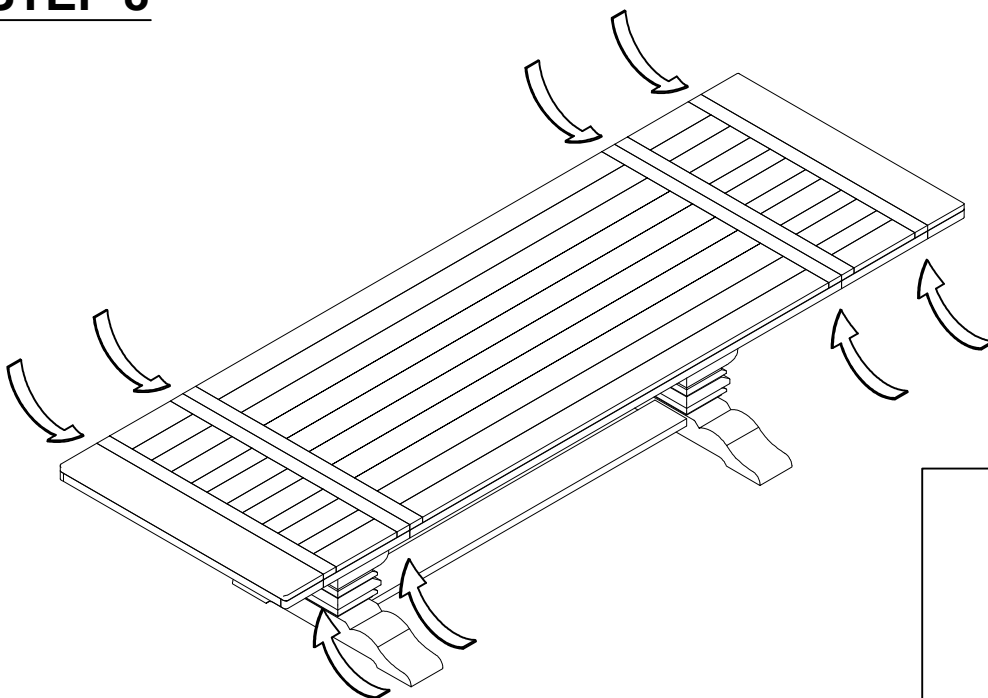
ITEM: 180201(B1&B2)

ASSEMBLY INSTRUCTIONS

STEP 7

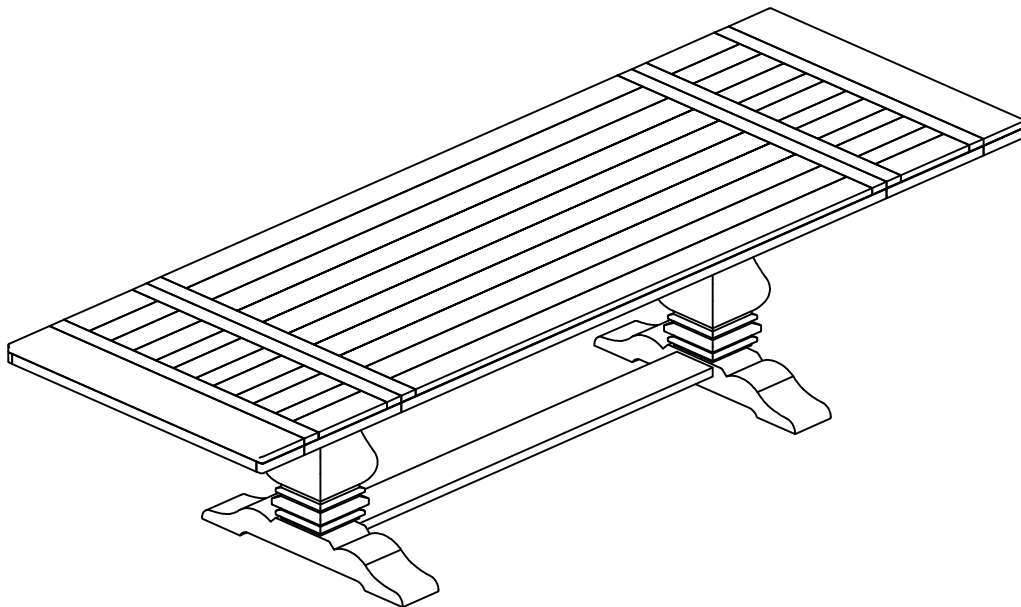


STEP 8

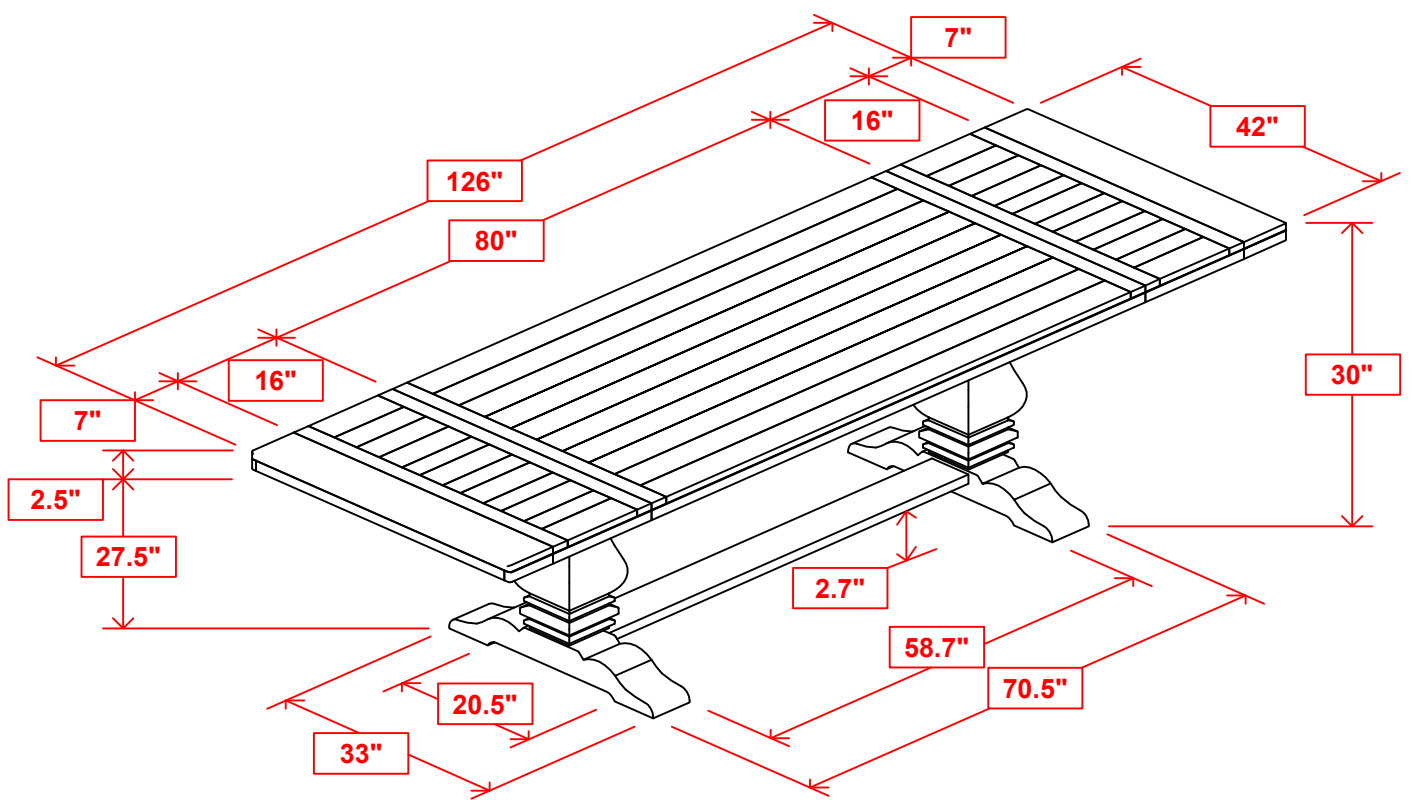


ITEM: **180201(B1&B2)**
ASSEMBLY INSTRUCTIONS

STEP 9
COMPLETE



ITEM: **180201(B1&B2)**



Note : Dimension tolerance $\pm 5\%$