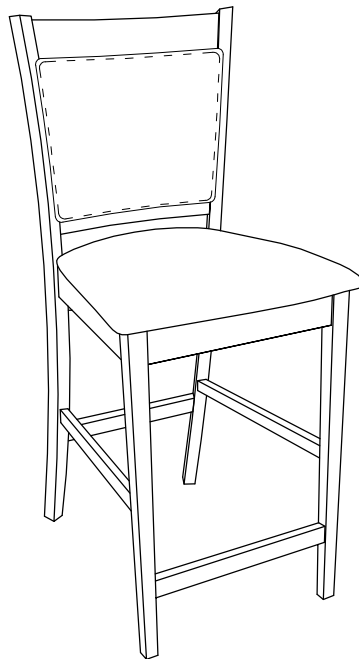




ASSEMBLY INSTRUCTIONS

COASTER FINE FURNITURE



Fine Furniture for every stage of life

100959

Counter Height Chair

REVISION 0: 06/26/2011
REVISION 1: 09/14/2011
REVISION 2: 04/25/2016
REVISION 3: 08/19/2020

ITEM: **100959**



ASSEMBLY INSTRUCTIONS

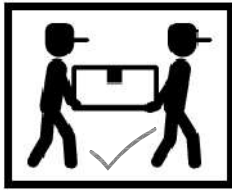
ASSEMBLY TIPS :

1. Remove hardware from box and sort by size.
2. Please check to see that all hardware and parts are present prior to start of assembly.
3. Please follow attached instructions in the same sequence as numbered to assure fast & easy assembly.



WARNING !

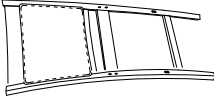
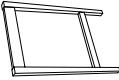
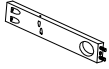

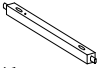

1. Don't attempt to repair or modify parts that are broken or defective. Please contact the store immediately.
2. This product is for home use only and not intended for commercial establishments.






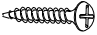
ASSEMBLY TIME

20 MINUTES

PARTS IDENTIFICATION

A	BACK FRAME		1PC
B	FRONT LEG FRAME		1PC
C	SIDE RAIL		2PCS
D	SEAT CUSHION		1PC
E1	RIGHT STRETCHER		1PC
F1	LEFT STRETCHER		1PC

HARDWARE IDENTIFICATION

1	ALLEN WRENCH (M4 x 110MM - BLK)		1PC
2	BOLT (M6 x 45mm - RBW)		6PCS
3	LOCK WASHER (1/4" - BLK)		6PCS
4	PAN HEAD SCREW (#8 x 1 1/4" - BLK)		7PCS

NOTE :

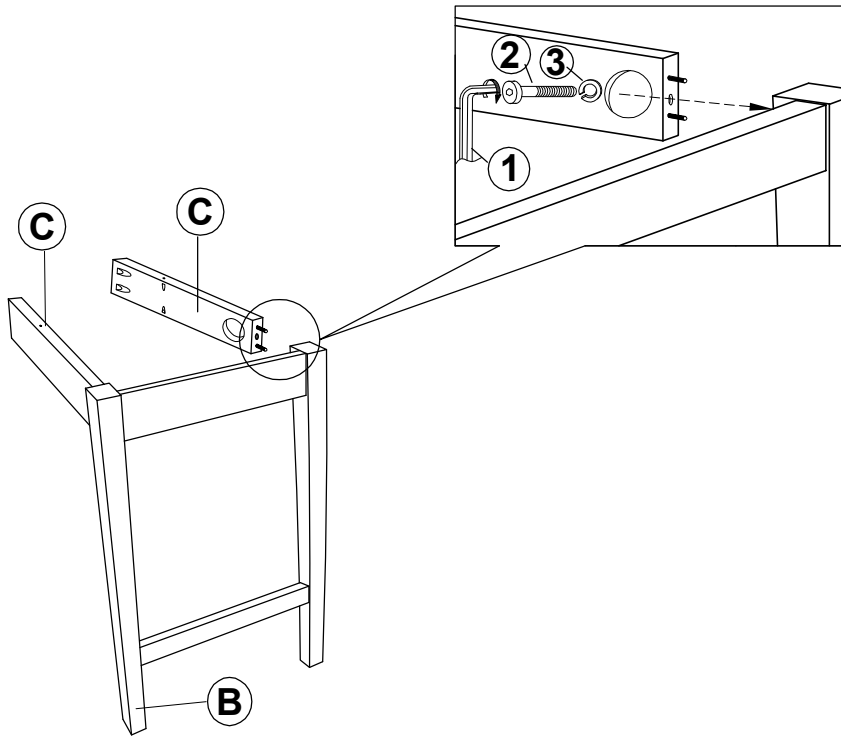
Phillips head screw driver is required in the assembly process ; However, manufacturer not provide this item.
Quantities shown are for one chair.

ITEM: **100959**

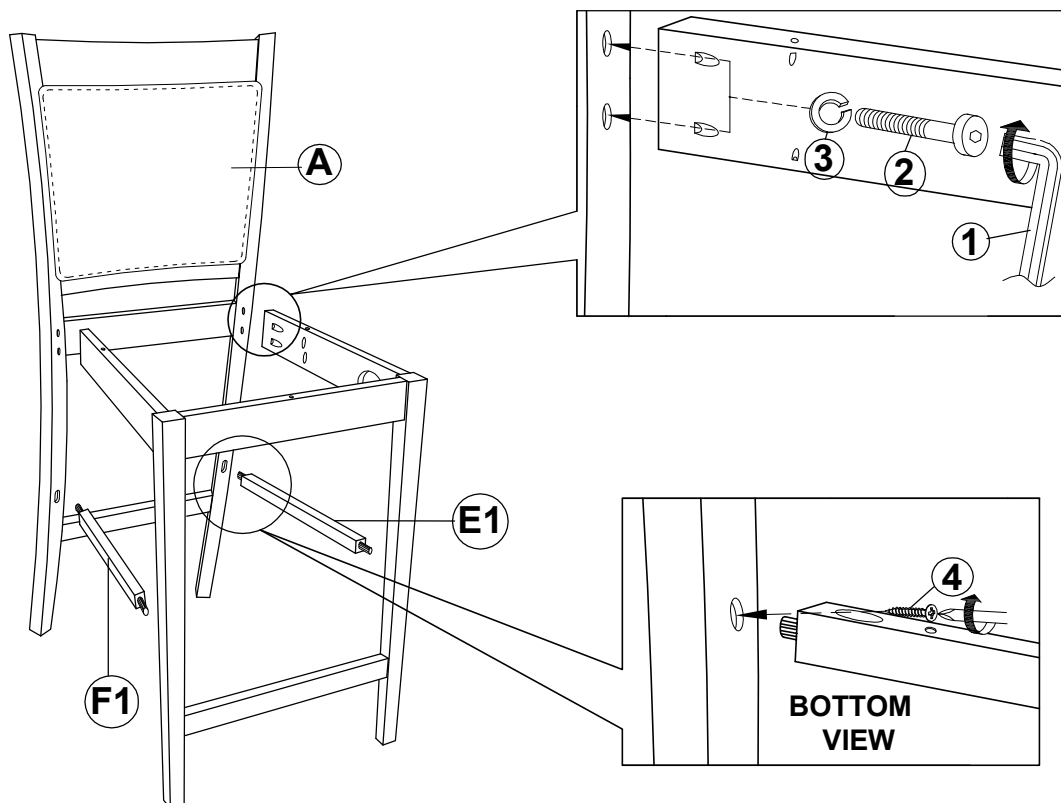
ASSEMBLY INSTRUCTIONS



STEP 1



STEP 2

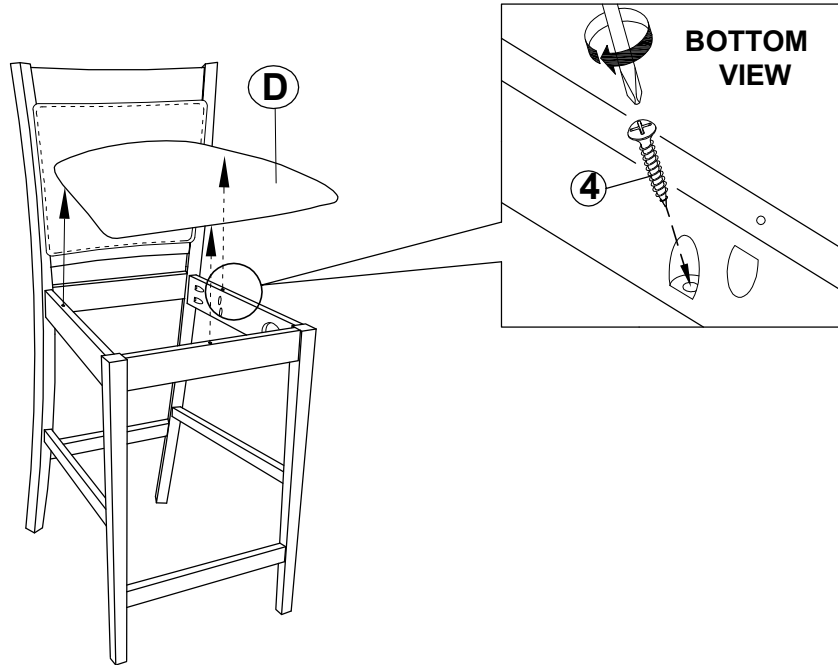


ITEM: **100959**

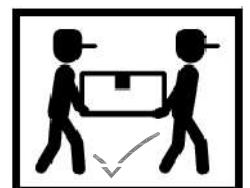
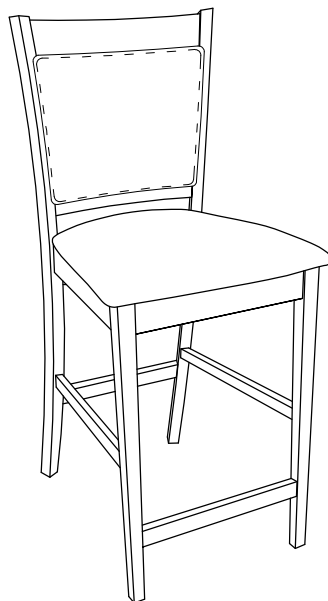
ASSEMBLY INSTRUCTIONS



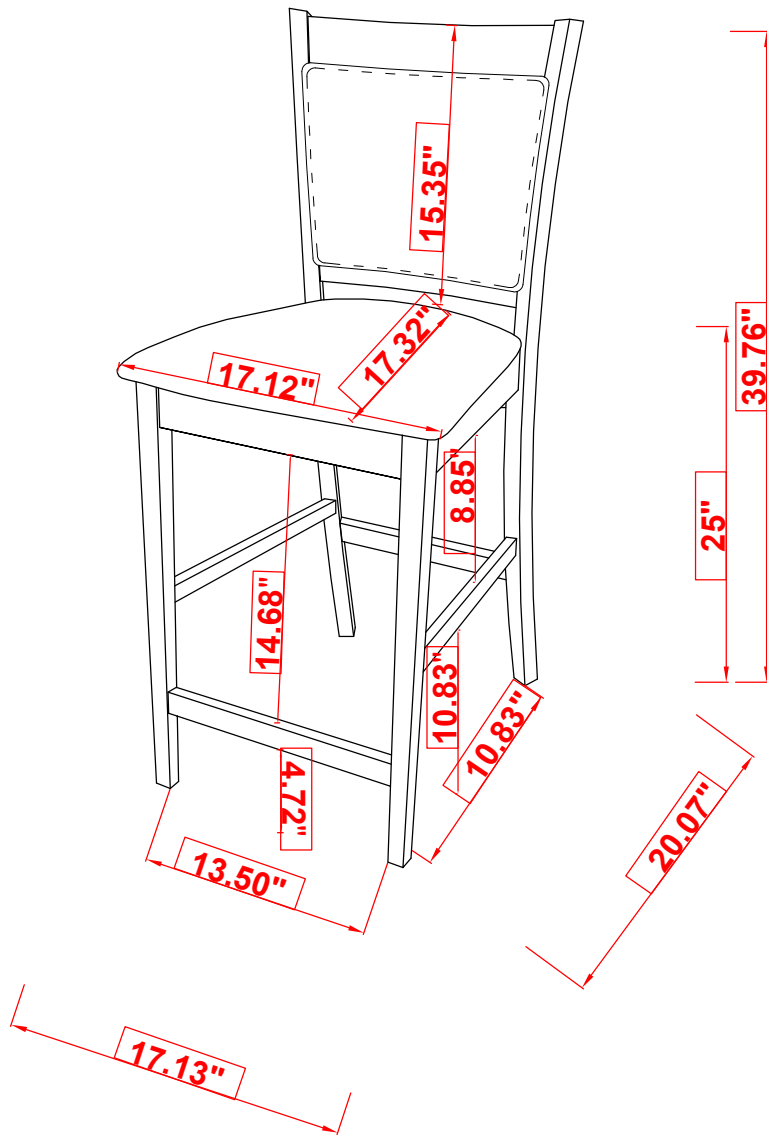
STEP 3



STEP 4
COMPLETE



ITEM: **100959**



Note : Dimension tolerance $\pm 5\%$