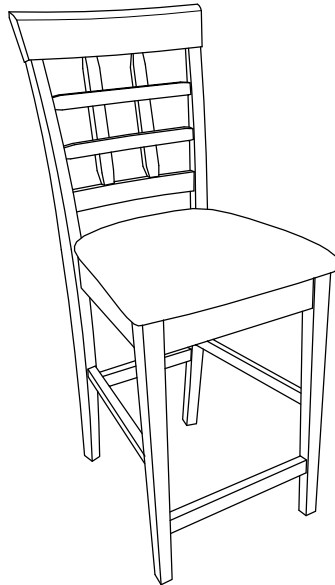




ASSEMBLY INSTRUCTIONS

COASTER FINE FURNITURE



Fine Furniture for every stage of life

100209
Counter Height Chair

REVISION 1: 03/15/2012
REVISION 2: 04/18/2016
REVISION 3: 08/14/2017
REVISION 4: 07/20/2020

PAGE 1 OF 4

COASTERFURNITURE.COM

ITEM: 100209

ASSEMBLY INSTRUCTIONS



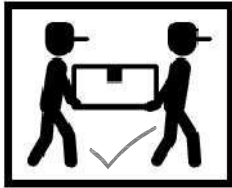
ASSEMBLY TIPS :

1. Remove hardware from box and sort by size.
2. Please check to see that all hardware and parts are present prior to start of assembly.
3. Please follow attached instructions in the same sequence as numbered to assure fast & easy assembly.



WARNING !

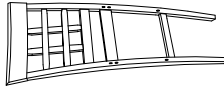
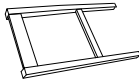
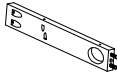
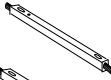
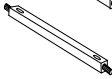

1. Don't attempt to repair or modify parts that are broken or defective. Please contact the store immediately.
2. This product is for home use only and not intended for commercial establishments.




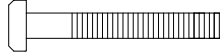



ASSEMBLY TIME

20 MINUTES

PARTS IDENTIFICATION

A	BACK FRAME		1PC
B	FRONT LEG FRAME		1PC
C	SIDE RAIL		2PCS
D1	RIGHT STRETCHER		1PC
E1	LEFT STRETCHER		1PC
F	SEAT CUSHION		1PC

HARDWARE IDENTIFICATION

1	ALLEN WRENCH (M4 x 110MM - BLK)		1PC
2	BOLT (M6 x 50mm - RBW)		6PCS
3	LOCK WASHER (1/4" - BLK)		6PCS
4	SHORT PAN HEAD SCREW (#8 x 1" - BLK)		4PCS
5	LONG PAN HEAD SCREW (#8 x 1 1/2" - BLK)		4PCS

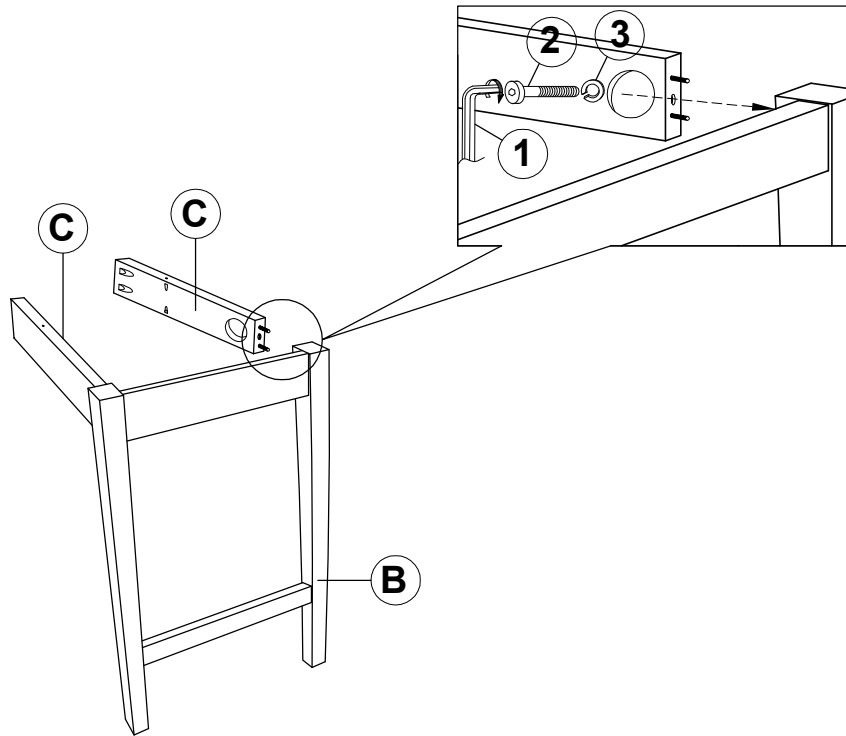
NOTE :

Phillips head screw driver is required in the assembly process ; However, manufacturer not provide this item.
Quantities shown are for one chair.

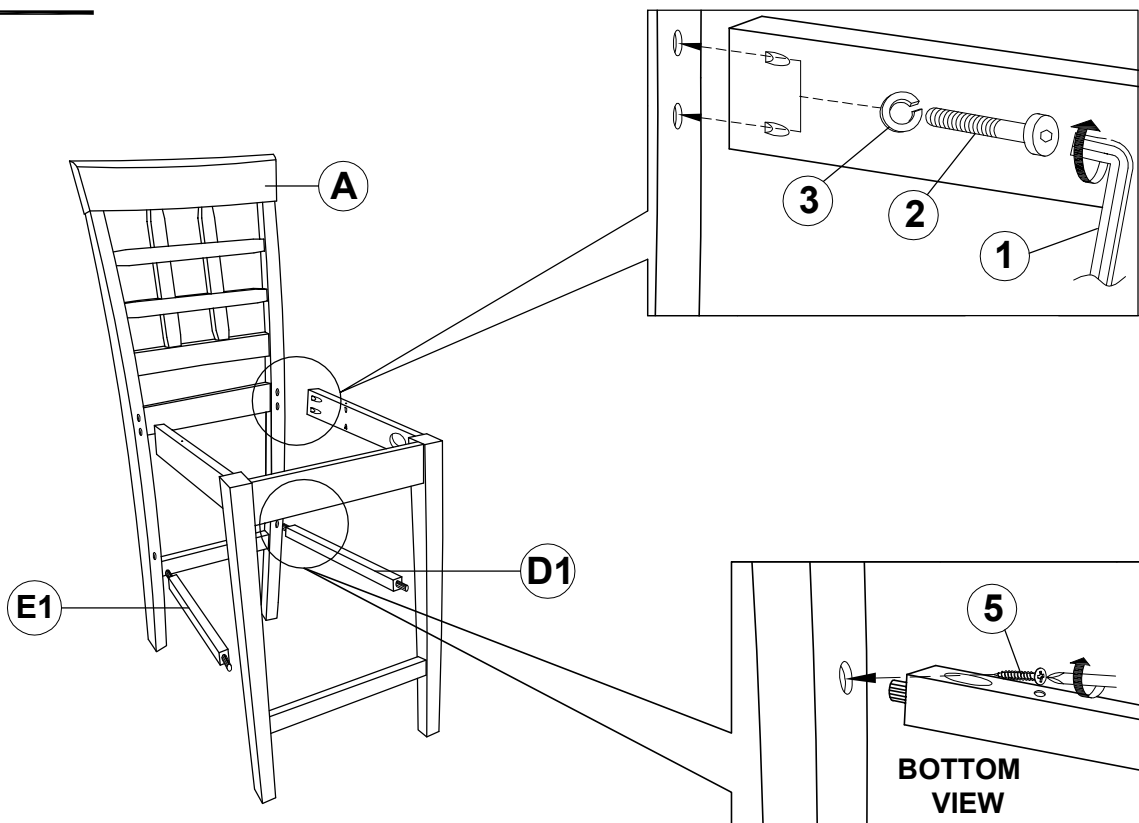
ITEM: **100209**
ASSEMBLY INSTRUCTIONS



STEP 1



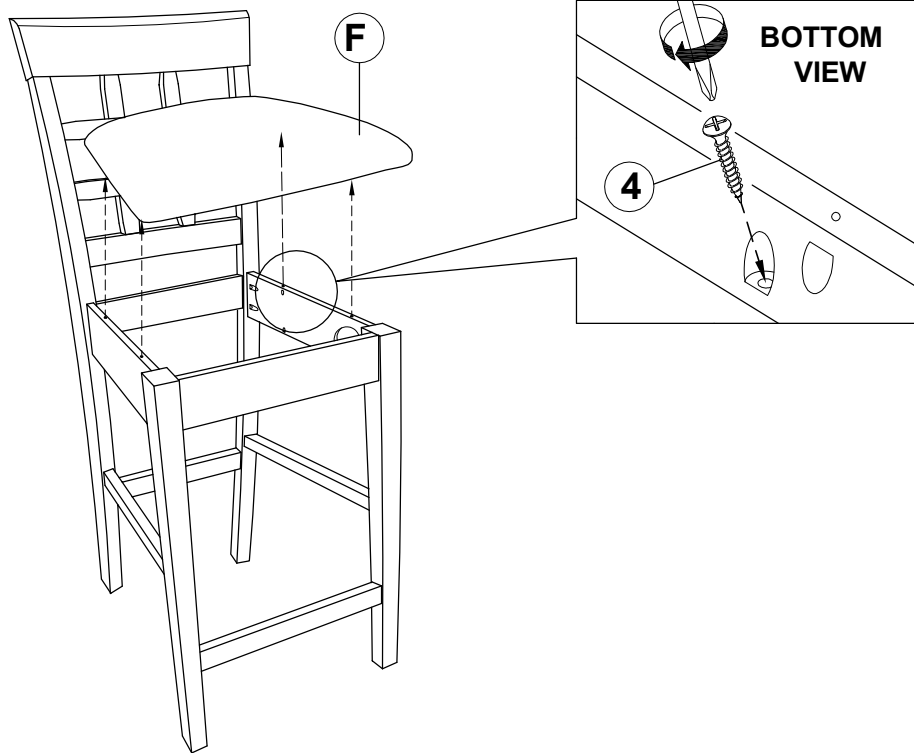
STEP 2



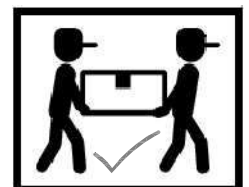
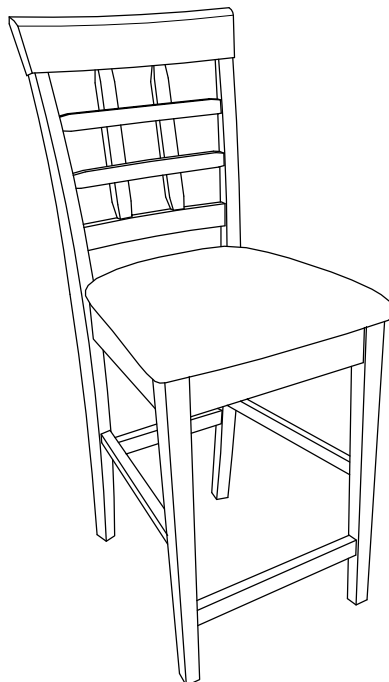
ITEM: **100209**
ASSEMBLY INSTRUCTIONS



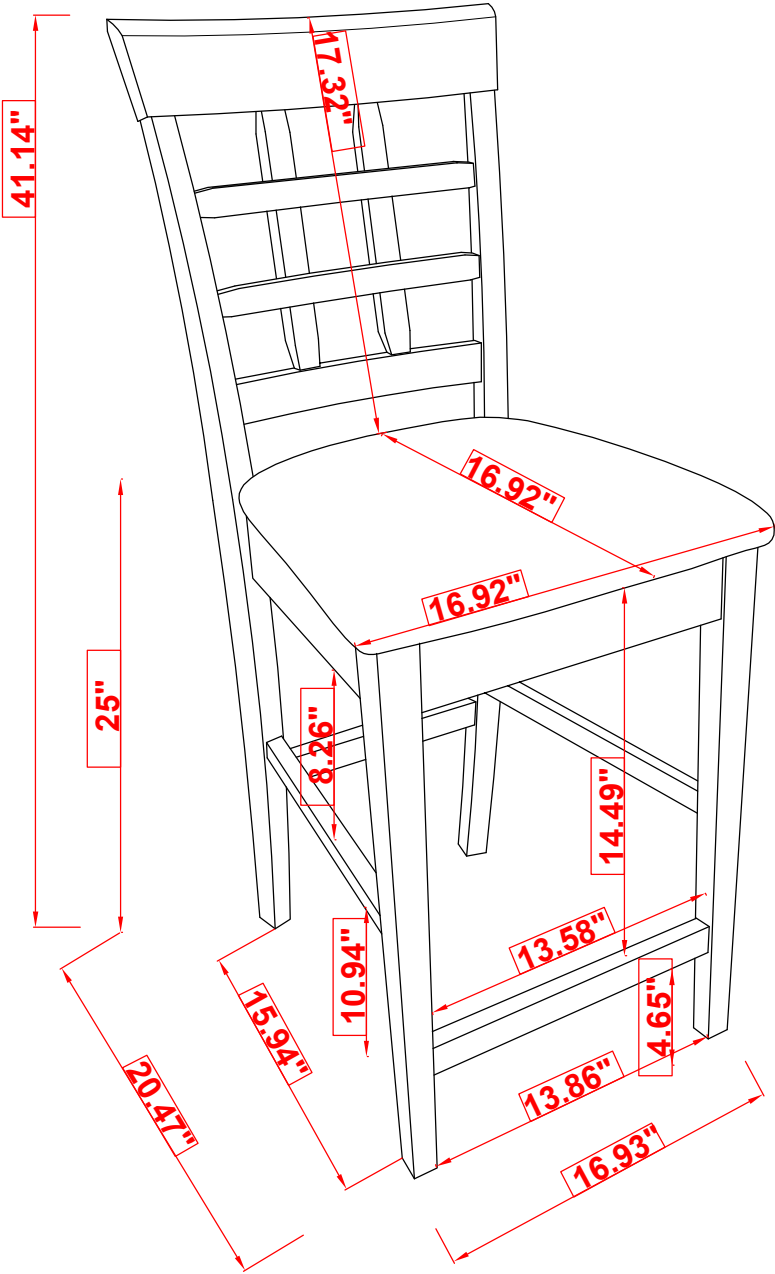
STEP 3



STEP 4
COMPLETE



ITEM: **100209**



Note : Dimension tolerance $\pm 5\%$