



*ASSEMBLY INSTRUCTIONS*  
*COASTER FINE FURNITURE*



*Fine Furniture for every stage of life*

**508321**

**REVERSIBLE SECTIONAL**

ITEM : 508321

ASSEMBLY INSTRUCTIONS



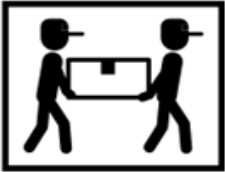
ASSEMBLY TIPS:

- 1.Remove hardware from box and sort by size.
- 2.Please check to see that all hardware and parts are present prior to start of assembly.
- 3.Please follow attached instruction in the same sequence as numbered to assure fast & easy assembly.



**WARNING!**

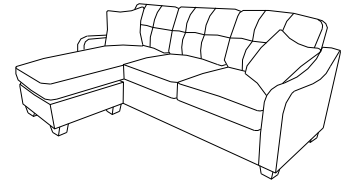
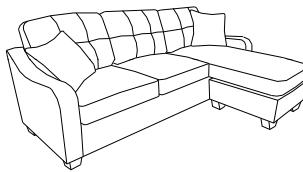
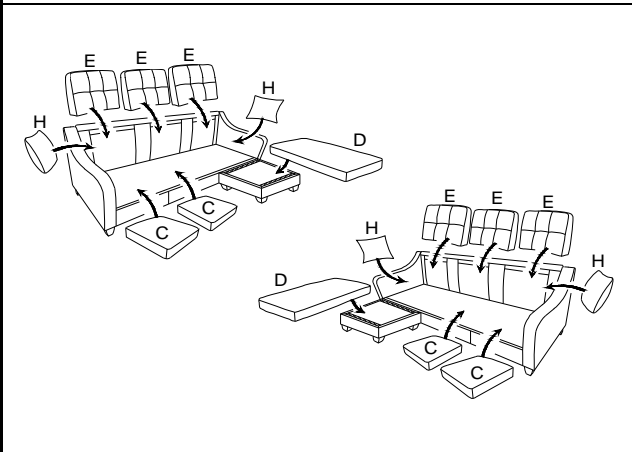
- 1.Don't attempt to repair or modify parts that are broken or defective. Please contact the store immediately.
- 2.This product is for home use only and not intended for commercial establishment.

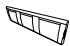
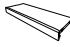
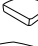















ASSEMBLY TIME

10 MINUTES

**PARTS IDENTIFICATION**



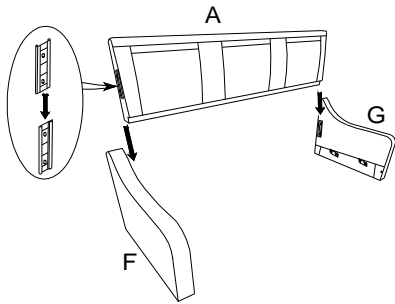
- A BACK FRAME  1PC
- B SEAT FRAME  1PC
- C SMALL SEAT CUSHION  2PCS
- D BIG SEAT CUSHION  1PC
- E BACK CUSHION  3PCS
- F LEFT ARM FRAME  1PC
- G RIGHT ARM FRAME  1PC
- H PILLOW  2PCS
- I LEG  8PCS
- J OTTOMAN  1PC

Z	HARDWARE PACKAGE		
NO	DESCRIPTION	FIGURE	QTY
1	BOLT 5/16" * 3 "		3PCS
2	BOLT 5/16" * 1-3/8 "		2PCS
3	FLAT WASHER 5/16" * 19mm		5 PCS+1PC SPARE
4	LOCK WASHER 5/16" * 13mm		5 PCS+1PC SPARE
5	ALLEN KEY M5		1PC
6	PLASTIC GASKETS 5/16" * 49mm		8PCS

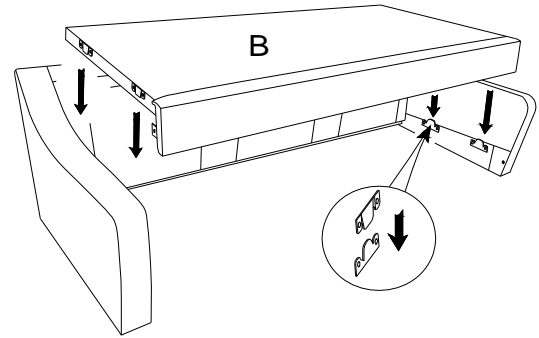
ITEM : 508321

ASSEMBLY INSTRUCTIONS

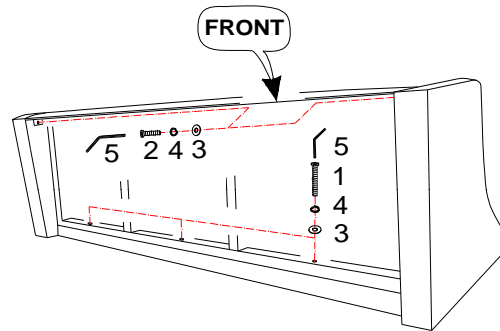
STEP 1



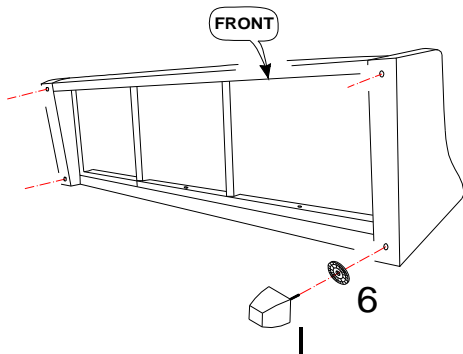
STEP 2



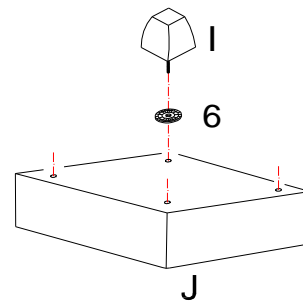
STEP 3



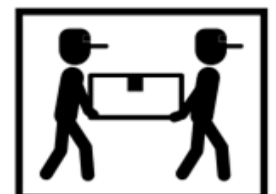
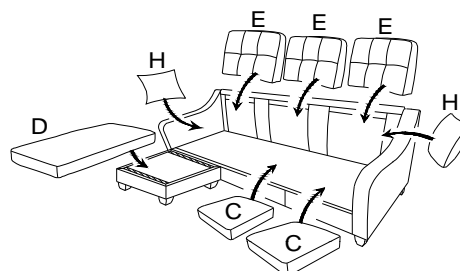
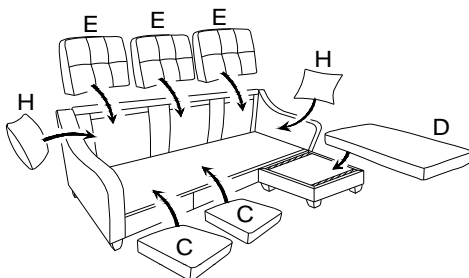
STEP 4



STEP 5

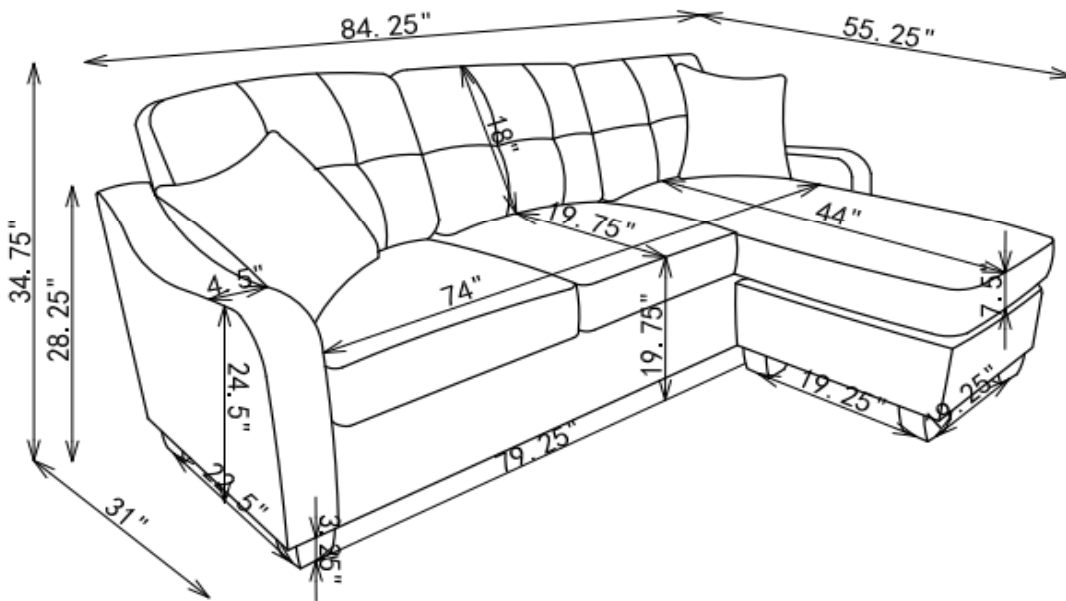


STEP 6



# 508321

**COASTER**  
FINE FURNITURE



Note: Dimension tolerance  $\pm 5\%$

