

**ASSEMBLY INSTRUCTIONS**  
**COASTER FINE FURNITURE**



*Fine Furniture for every stage of life*

**190152**  
**DINING CHAIR**

REVISION 0:05/21/2019  
REVISION 0:03/29/2020

ITEM : 190152



# ASSEMBLY INSTRUCTIONS

## ASSEMBLY TIPS:

- 1.Remove hardware from box and sort by size.
- 2.Please check to see that all hardware and parts are present prior to start of assembly.
- 3.Please follow attached instructions in the same sequence as numbered to assure fast & easy assembly.






### WARNING !

- 1.Don't attempt to repair or modify parts that are broken or defective. Please contact the store immediately.
- 2.This product is for home uses only and not intended for commercial establishments.





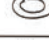



ASSEMBLY TIME 20 MINUTES

## PARTS IDENTIFICATION

A		BACK REST	1PC
B		SEAT	1PC
C		FRONT LEG	2PCS

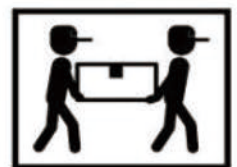
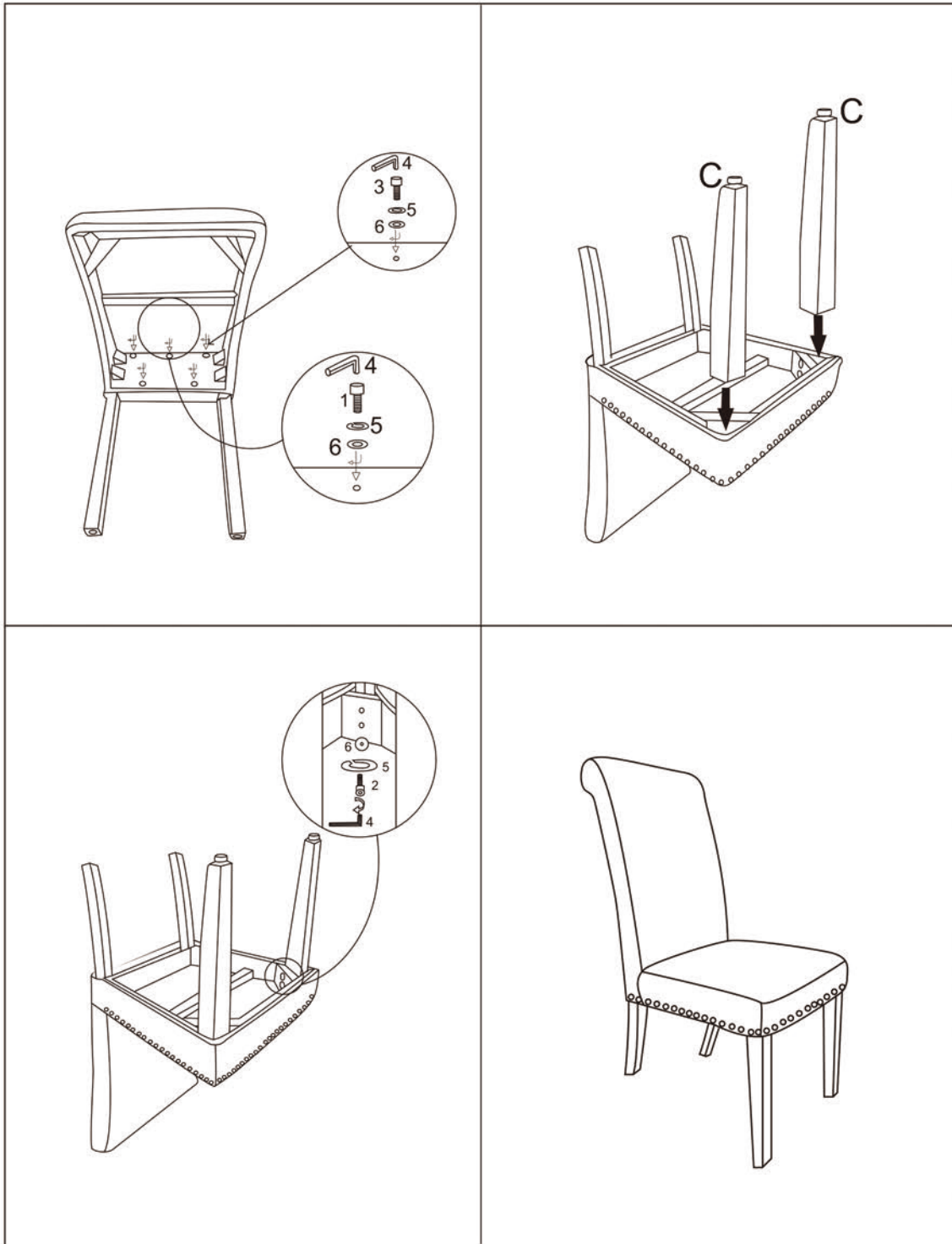
## HARDWARE IDENTIFICATION

HARDWARE PACKAGE				
1	SHORT BOLT		M8*55	1pcs
2	LARGE BOLT		M8*60	4pcs
3	LARGEST BOLT		M8*75	4pcs
4	ALLEN KEY		M8	1pcs
5	LOCK WASHER			9pcs
6	FLAT WASHER			9pcs

ITEM: 190152



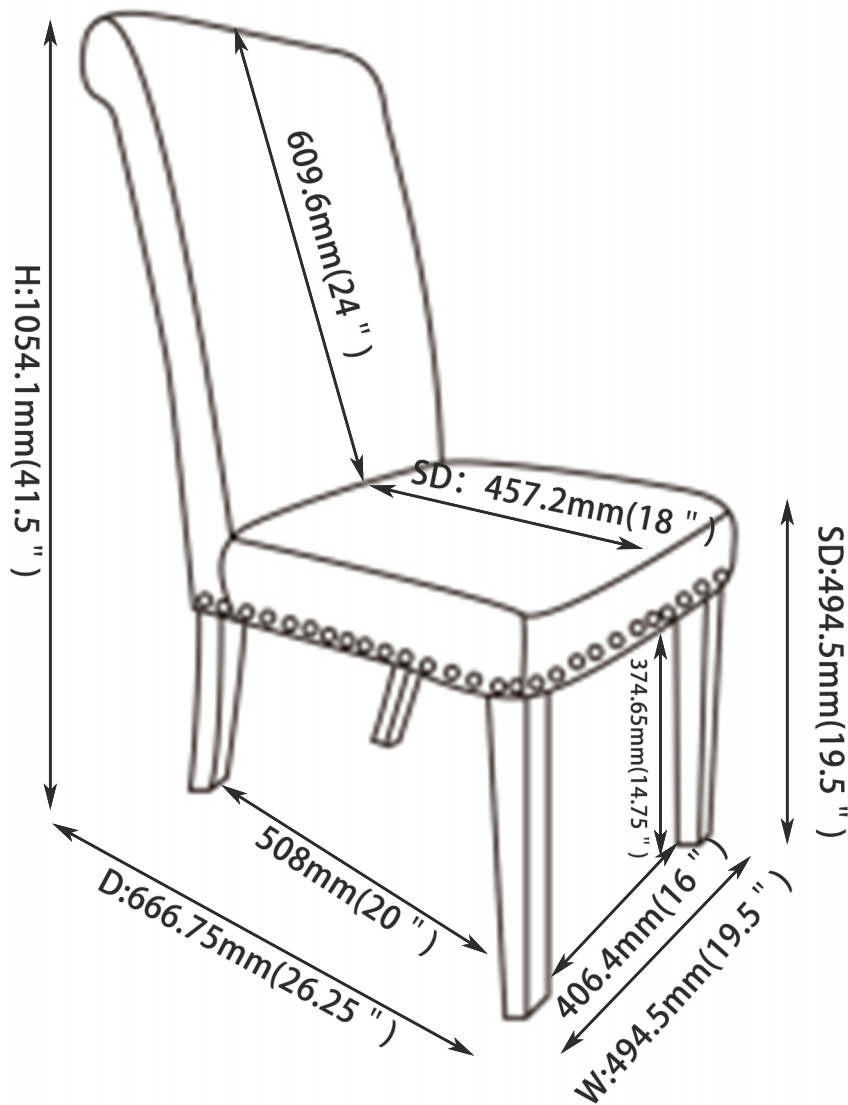
# ASSEMBLY INSTRUCTIONS



ITEM: 190152



# ASSEMBLY INSTRUCTIONS



Note: Dimension tolerance  $\pm 5\%$