



ASSEMBLY INSTRUCTIONS COASTER FINE FURNITURE



Fine Furniture for every stage of life

130504
BARSTOOL

REVISION:06/16/2020

PAGE 1 OF 4

ITEM : 130504
ASSEMBLY INSTRUCTIONS



ASSEMBLY TIPS:

1. Remove hardware from box and sort by size.
2. Please check to see that all hardware and parts are present prior to start of assembly.
3. Please follow attached instructions in the same sequence as numbered to assure fast & easy assembly.



Warning!

1. Don't attempt to repair or modify parts that are broken or defective. Please contact the store immediately.
2. This product is for home use only and not intended for commercial establishments.



ASSEMBLY TIME	5 MINUTES
---------------	-----------

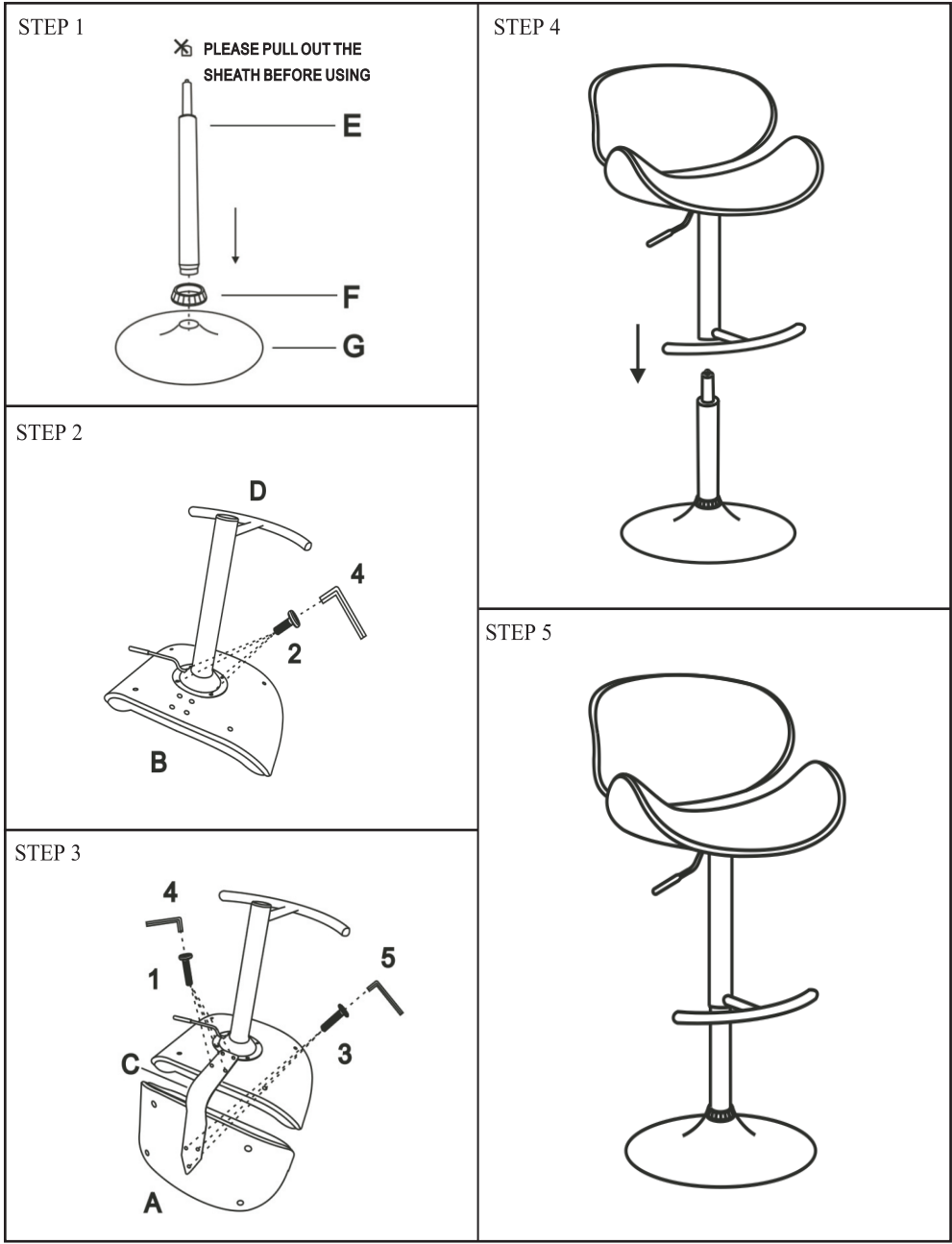
PARTS IDENTIFICATION

	PART NAME	FIGURE	QTY		PART NAME	FIGURE	QTY
A	BACK		1PC	F	COVER RING		1PC
B	SEAT		1PC	G	BASE		1PC
C	BACK SUPPORT		1PC				
D	FOOT REST		1PC				
E	GAS CYLINDER		1PC				

HARDWARE IDENTIFICATION

	HARDWARE NAME	FIGURE	QTY
1	BOLTS M6x20MM		4PC
2	BOLTS M6x16MM		4PC
3	BOLTS M6x20 MM		3PC
4	ALLEN WRENCH M6		1PC
5	ALLEN WRENCH M5		1PC

ITEM : 130504
ASSEMBLY INSTRUCTIONS



ITEM :130504
ASSEMBLY INSTRUCTIONS



Note:Dimension tolerance \pm 5%