

ASSEMBLY INSTRUCTIONS COASTER FINE FURNITURE



Fine Furniture for every stage of life

100730
BARSTOOL

ITEM :100730

ASSEMBLY INSTRUCTIONS



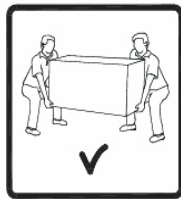
ASSEMBLY TIPS:

1. Remove hardware from box and sort by size.
2. Please check to see that all hardware and parts are present prior to start of assembly.
3. Please follow attached instructions in the same sequence as numbered to assure fast & easy assembly.



Warning!





1. Don't attempt to repair or modify parts that are broken or defective. Please contact the store immediately.
2. This product is for home use only and not intended for commercial establishments.










ASSEMBLY TIME

5 MINUTES

PARTS IDENTIFICATION

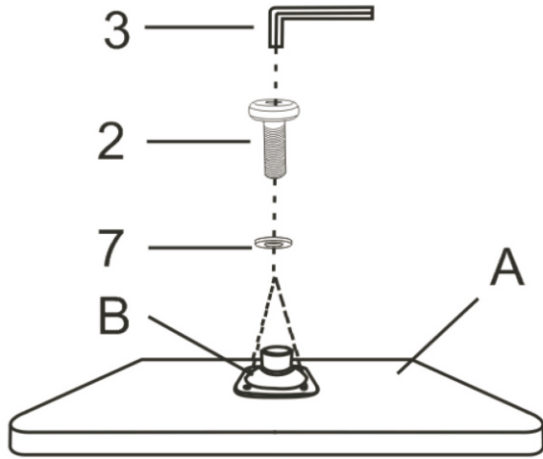
	PART NAME	FIGURE	QTY
A	BAMBOO TOP		1 PC
B	SAIVER		1 PC
C	BASE		1 PC
D	MAIN POST		1 PC

HARDWARE IDENTIFICATION

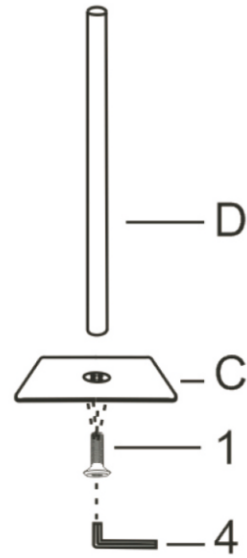
	HARDWARE NAME	FIGURE	QTY
1	BOLTS M5x25MM		4PCS
2	BOLTS M6x14MM		4PCS
3	ALLEN WRENCH M6		1 PC
4	ALLEN WRENCH M6		1 PC
5	BOLT 6MM		2PCS
6	ALLEN WRENCH M6		1 PC
7	WASHER		4PCS

ITEM :100730
ASSEMBLY INSTRUCTIONS

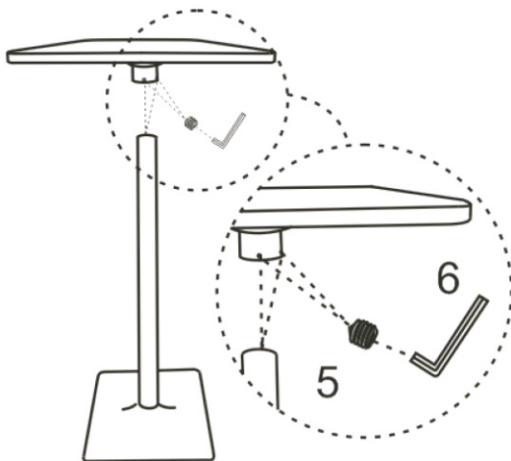
STEP1



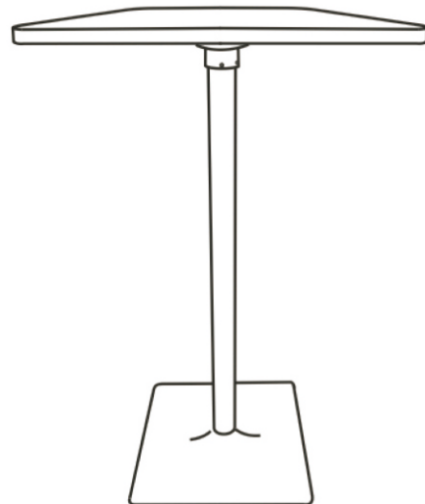
STEP2



STEP3



STEP4



ITEM : 100730
ASSEMBLY INSTRUCTIONS



Note: Dimension tolerance $\pm 5\%$