

*ASSEMBLY INSTRUCTIONS*  
*COASTER FINE FURNITURE*



*Fine Furniture for every stage of life*

950171  
***CURIO CABINET***

REVISION 0 : 03/15/2018  
REVISION 1 : 06/18/2020

ITEM:950171



# ASSEMBLY INSTRUCTIONS

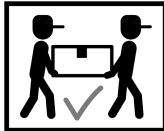
## ASSEMBLY TIPS:

1. Remove hardware from box and sort by size.
2. Please check to see that all hardware and parts are present prior to start of assembly.
3. Please follow attached instructions in the same sequence as numbered to assure fast & easy assembly.



### WARNING!

1. Don't attempt to repair or modify parts that are broken or defective. Please contact the store immediately.
2. This product is for home use only and not intended for commercial establishments.



ASSEMBLY TIME 50 MINUTES

## PARTS IDENTIFICATION

A	DOOR GLASS 1555x382mm		1PC
B	SIDE GLASS 1576x345mm		2PCS
C	BACK GLASS 1576x387mm		1PC
D	PLASTIC BAR		2PCS
E	INNER SHELF SUPPORT		2PCS
F	TOP WOOD PANEL		1PC
G	BOTTOM WOOD PANEL		1PC

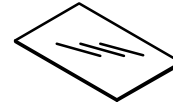
# ITEM:950171

## ASSEMBLY INSTRUCTIONS

### PARTS IDENTIFICATION



H SHELF GLASS  
382x250mm



3PCS

### HARDWARE IDENTIFICATION

1 LEG  
( $\phi 44$  x 18mm)  4PCS


2 ALLEN BOLT-LARGE  
(1/4" x 1-3/4" SR)  8PCS

3 WASHER  
(1/4" x 16mm)  8PCS


4 HINGE  
(40mm)  2PCS

5 HINGE INSERT  
( $\phi 12$  x 9mm)  2PCS

6 METAL WITH ADHESIVE  
(38mm)  2PCS


7 SMALL BOLT  
( $\phi 7$  x 6mm SR)  4PCS

8 PLASTIC MAGNET  
(19mm)  2PCS

9 HANDLE  
(40mm)  1PC


10 METAL HANDLE  
(40mm)  1PC

11 ADHESIVE  
(38 x 42mm)  2PCS

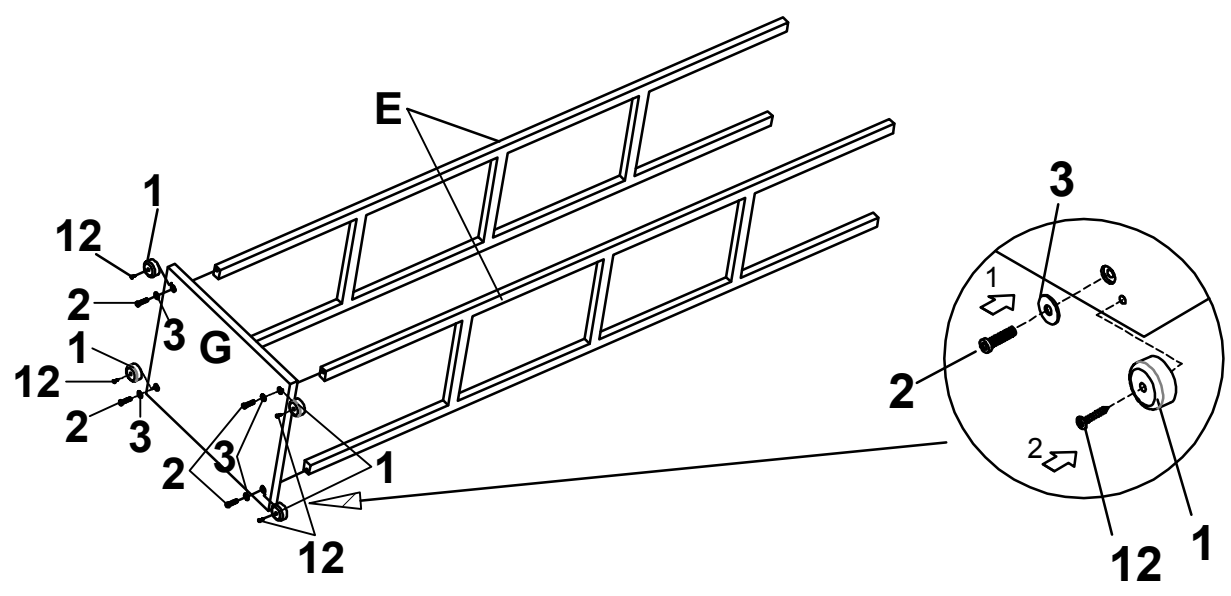
12 SCREW  
( $\phi 8$  x 22mm SR)  4PCS

13 ALLEN KEY  
(4mm)  1PC

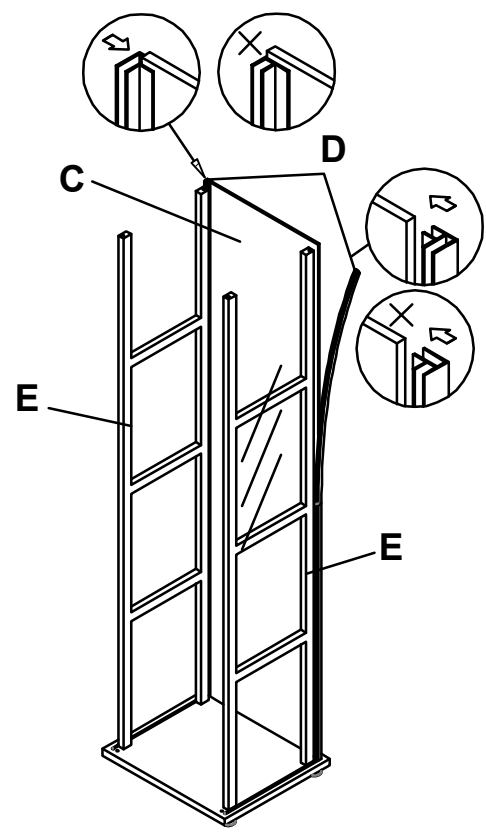
14 SUCTION CUP  
( $\phi 12$ mm)  12PCS

15 STICKER  
( $\phi 20$ mm)  4PCS

ITEM: 950171  
**ASSEMBLY INSTRUCTIONS**  
STEP 1

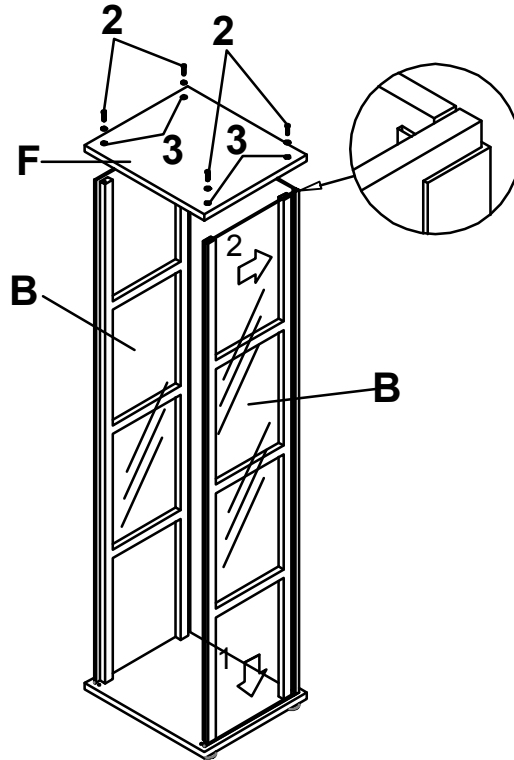


STEP 2

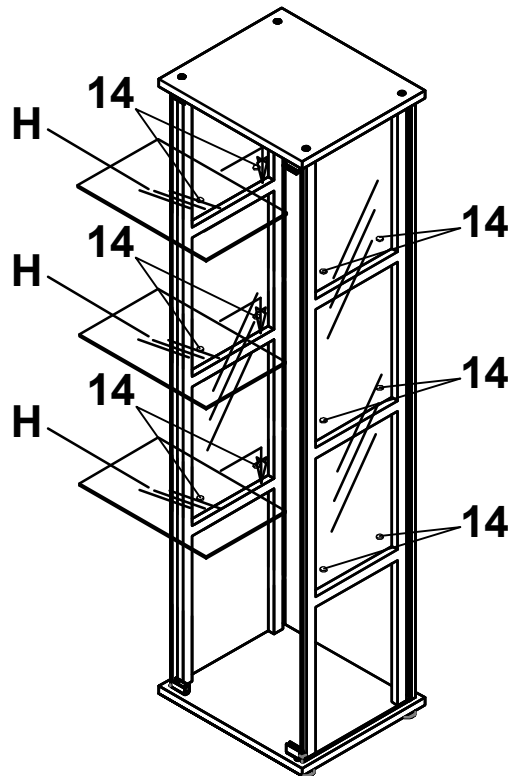


ITEM: 950171  
ASSEMBLY INSTRUCTIONS

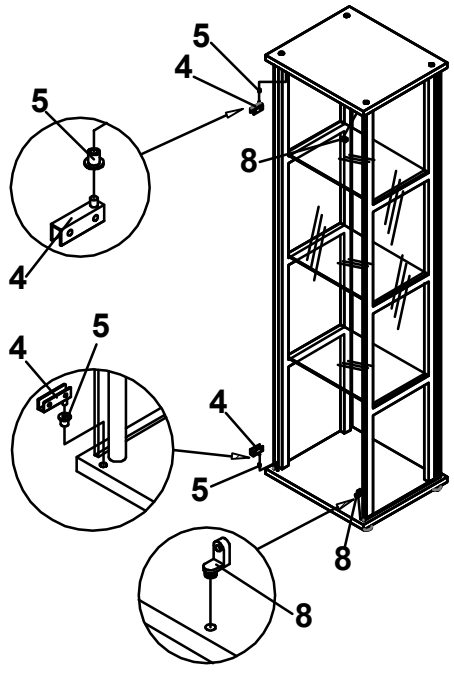
STEP 3



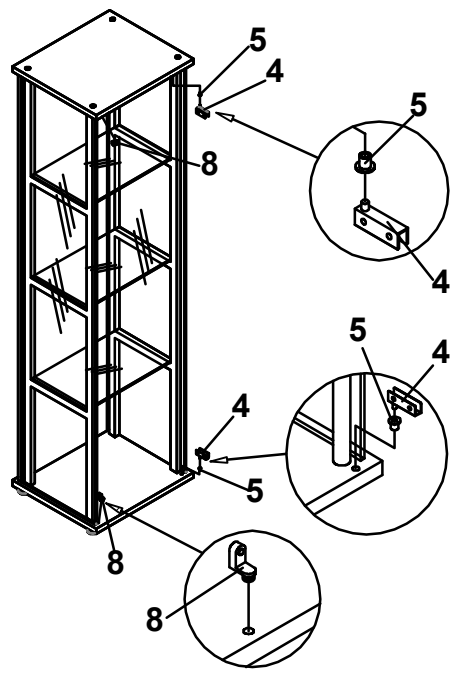
STEP 4



ITEM: 950171  
ASSEMBLY INSTRUCTIONS  
STEP 5

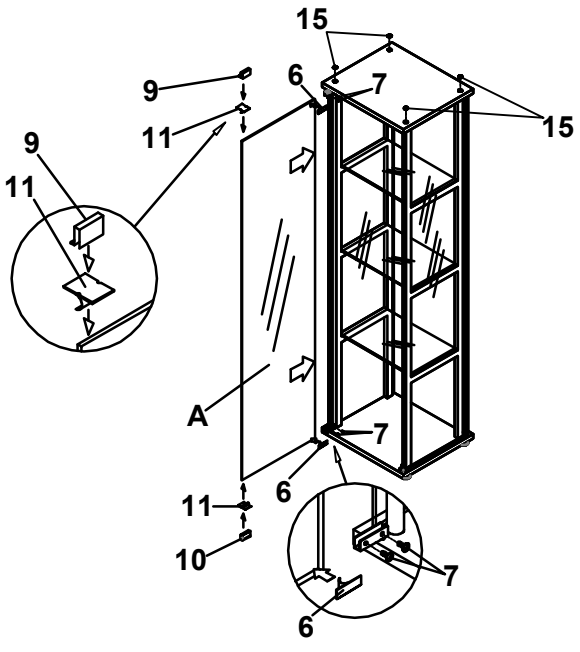


LEFT

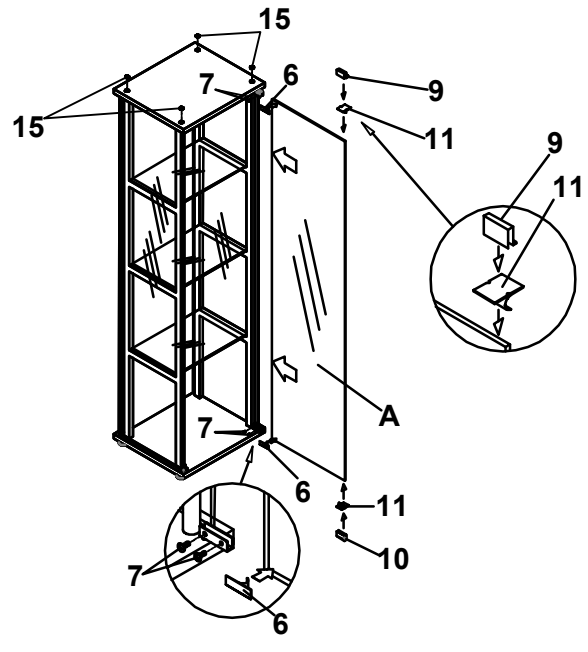


RIGHT

STEP 6



LEFT

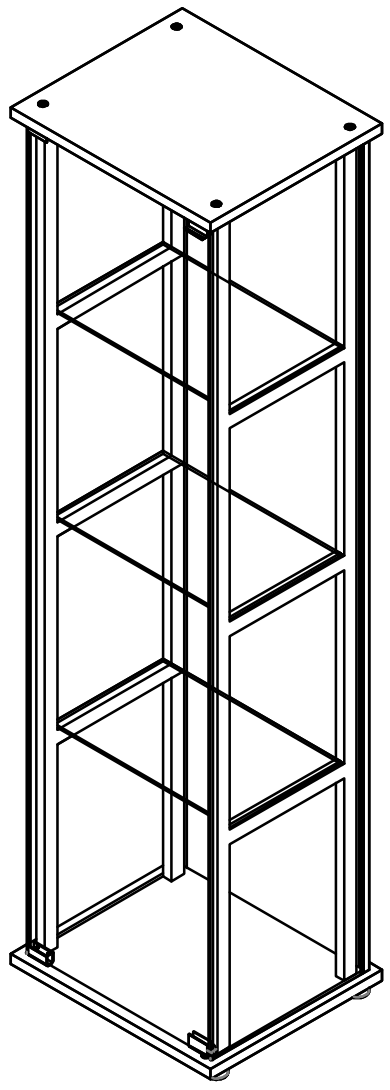


RIGHT

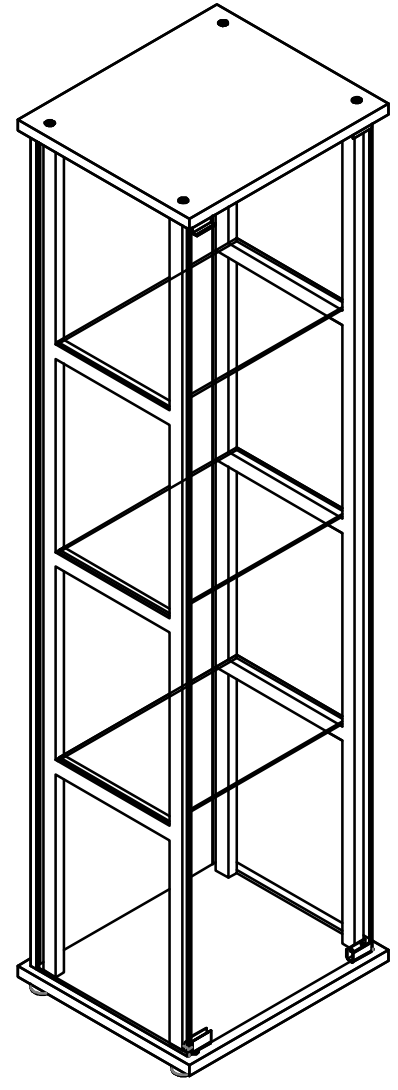
ITEM: 950171  
ASSEMBLY INSTRUCTIONS



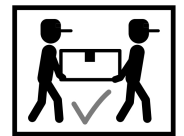
STEP 7  
COMPLETE



LEFT

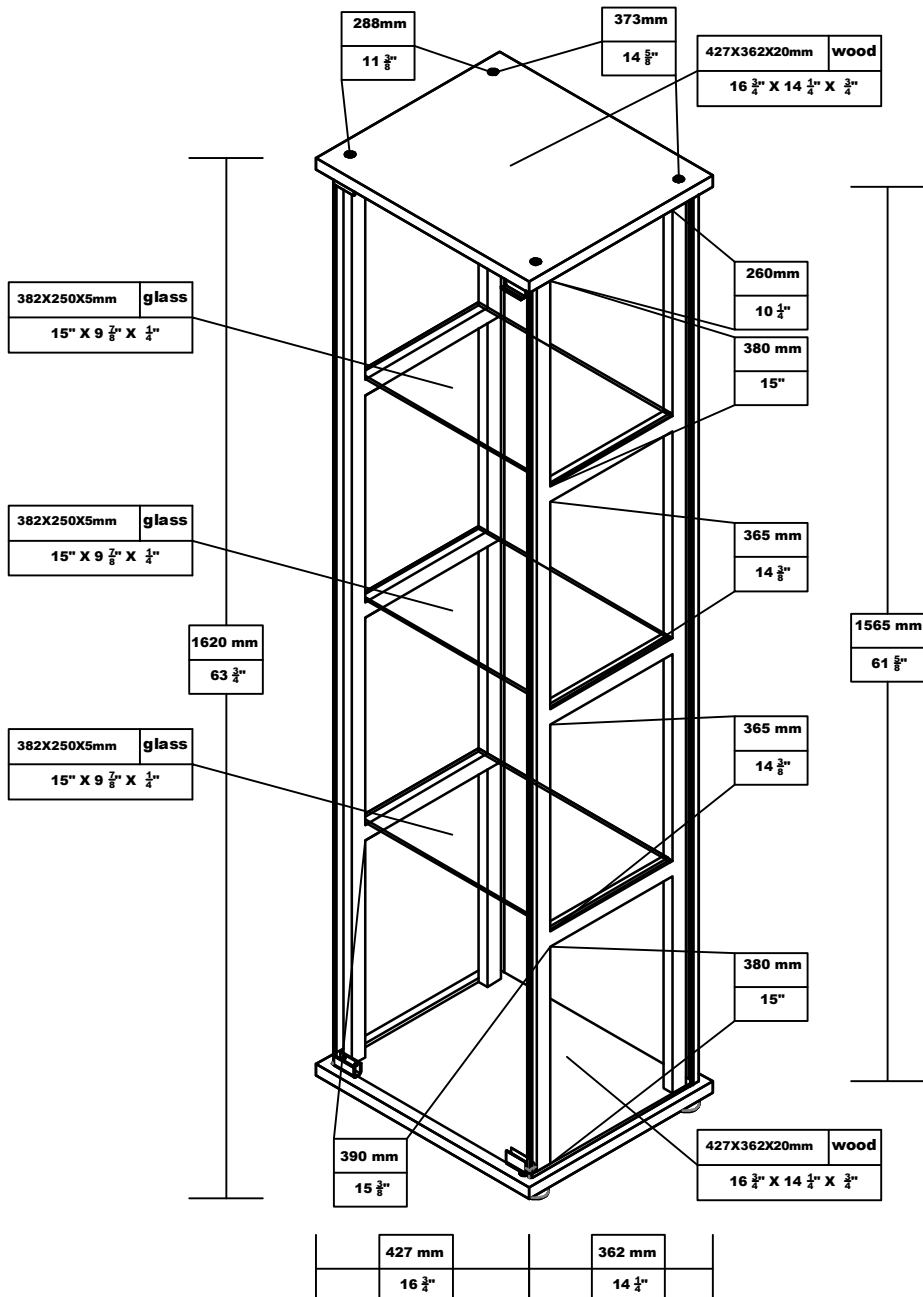


RIGHT



# ITEM:950171 ASSEMBLY INSTRUCTIONS

Product Size : 427 X 362 X 1620 H (MM)  
Product Size : 16 <sup>3</sup>/<sub>4</sub>" X 14 <sup>1</sup>/<sub>4</sub>" X 63 <sup>3</sup>/<sub>4</sub>"



Note : Dimension tolerance ±5%



ITEM: **950171**



## ANTI-TIPPING INSTALLMENT INSTRUCTIONS

### FURNITURE TIPPING RESTRAINT

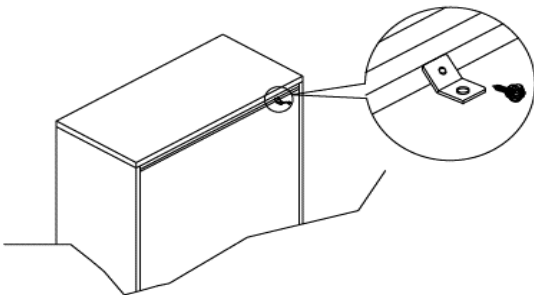
#### WARNING

Injury may result from tipping furniture.  
This restraint may protect against tipping furniture.  
Do not allow children to climb on furniture.  
This restraint is not a substitute for proper adult supervision.  
Failure to detach this restraint before moving the furniture may result in injury and damage.

This tip restraint must be attached to a wall stud using long screw enclosed.

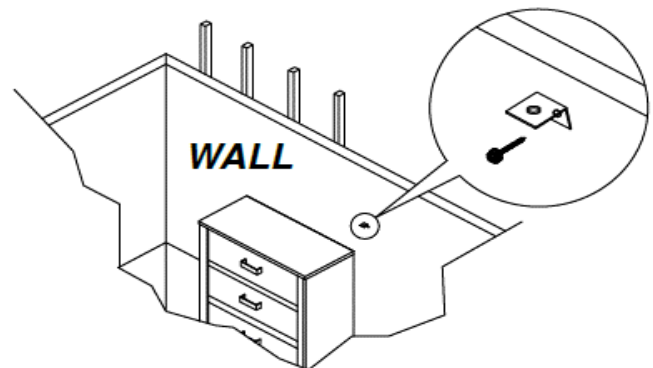
#### STEP 1

Attach a bracket securely to the back top rail of the furniture using short screw provided, through the smaller hole.



#### STEP 2

Locate the other bracket on the wall over a plastic wall stud and two inches below the mounting bracket secured to the back of the furniture. Attach the wall stud using the long screw provided, through the smaller hole.



#### STEP 3

Place the furniture into position so both mounting brackets are vertically in line. Lace the end of the restraint strap through the larger hole in each mounting bracket. Bring both ends together and slide the flat end through the locking end and draw it through until all slack is removed. Confirm that the strap is securely laced and locked.

