

ASSEMBLY INSTRUCTIONS
COASTER FINE FURNITURE



Fine Furniture for every stage of life

801553
BOOKCASE

REVISION 0 : 09/15/2017
REVISION 1 : 08/16/2019
REVISION 2 : 03/20/2019
REVISION 3 : 06/03/2020

PAGE 1 OF 7

COASTERFURNITURE.COM

ITEM: 801553



ASSEMBLY INSTRUCTIONS

ASSEMBLY TIPS:

1. Remove hardware from box and sort by size.
2. Please check to see that all hardware and parts are present prior to start of assembly.
3. Please follow attached instructions in the same sequence as numbered to assure fast & easy assembly.



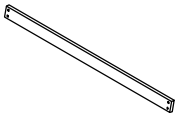
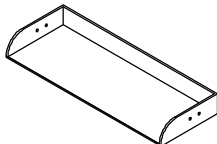
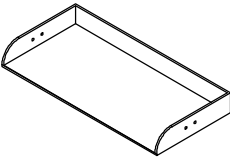
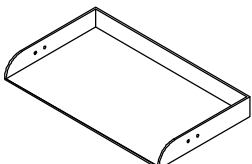


WARNING!

1. Don't attempt to repair or modify parts that are broken or defective. Please contact the store immediately.
2. This product is for home use only and not intended for commercial establishments.

ASSEMBLY TIME 45 MINUTES

PARTS IDENTIFICATION

A	LEFT LEG		1PC
B	RIGHT LEG		1PC
C	SUPPORT PANEL		2PCS
D	FRIST SHELF		1PC
E	SECOND SHELF		1PC
F	THIRD SHELF		1PC

ITEM: 801553

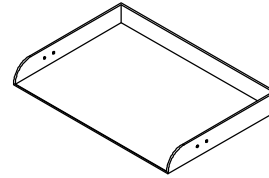
ASSEMBLY INSTRUCTIONS



PARTS IDENTIFICATION






G

FOURTH SHELF



1PC

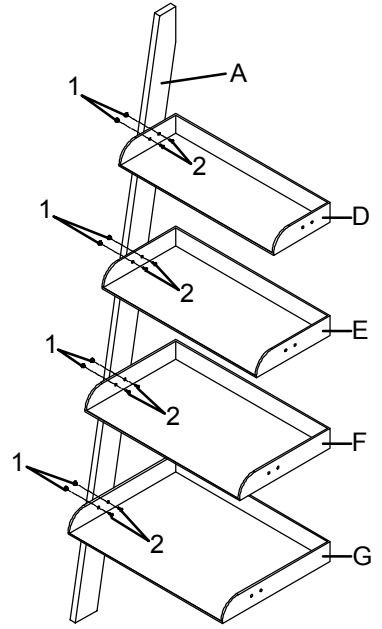
HARDWARE IDENTIFICATION

1	NUT (1/4" SR)		16PCS
2	BOLT (1/4" x 18mm SR)		16PCS
3	SCREW (3/16" x 12mm SR)		8PCS
4	FLOOR PROTECTOR (ϕ 15 x 2mm)		2PCS
5	ALLEN WRENCH (4mm)		1PC

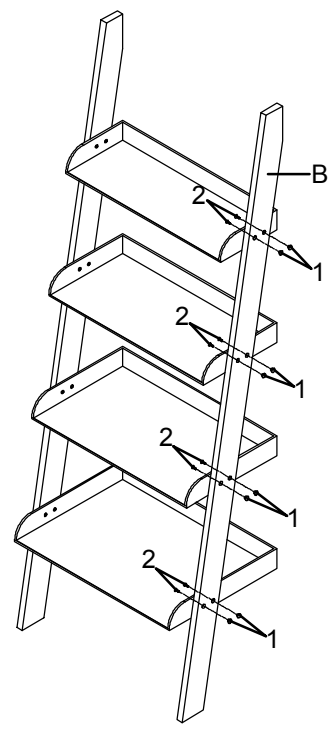
ITEM: 801553 ASSEMBLY INSTRUCTIONS



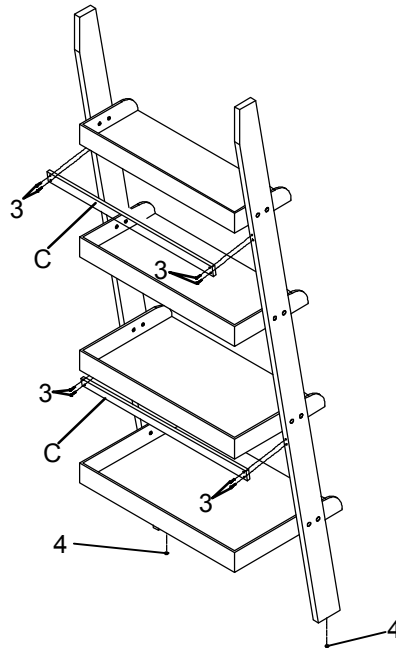
STEP 1 Do not tighten until each step is completed or instructed.



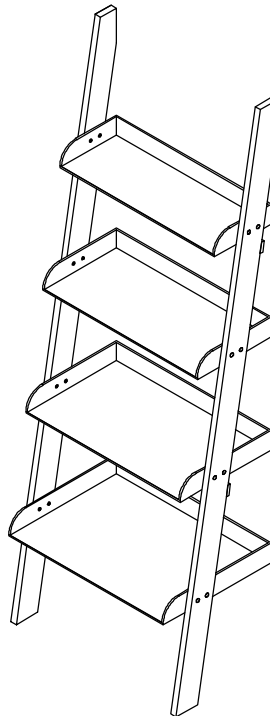
STEP 2



ITEM: 801553
ASSEMBLY INSTRUCTIONS
STEP 3



STEP 4



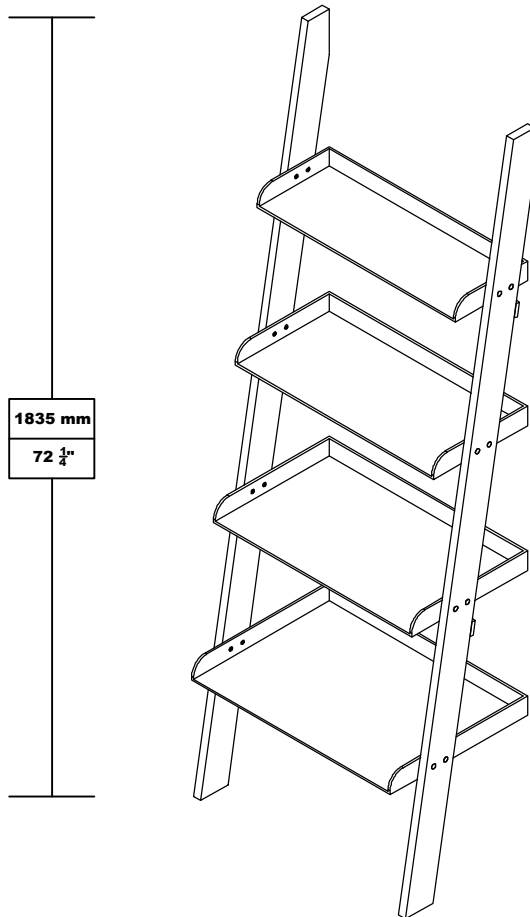
How to clean Acrylic product:
Using a dry soft microfiber cloth, lightly brush off any dust.
For additional care, dampen the cloth with warm water.
For deepest cleaning, use an Acrylic cleaner.

ITEM: 801553 ASSEMBLY INSTRUCTIONS



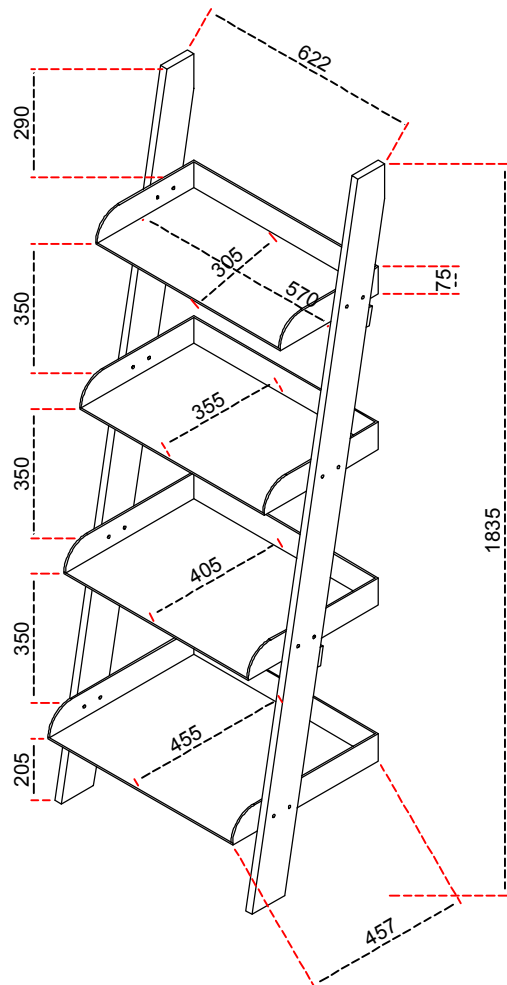
Product Size : 622 X 457 X 1835 H (MM)

Product Size : 24 1/2" X 18" X 72 1/4"



1835 mm

72 1/4"



622 mm	457 mm
24 1/2"	18"

Note : Dimension tolerance $\pm 5\%$

ITEM: **801553**



ANTI-TIPPING INSTALLMENT INSTRUCTIONS

FURNITURE TIPPING RESTRAINT

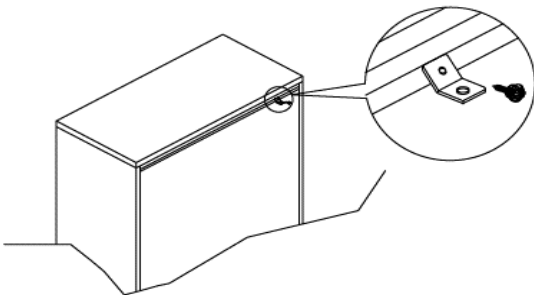
WARNING

Injury may result from tipping furniture.
This restraint may protect against tipping furniture.
Do not allow children to climb on furniture.
This restraint is not a substitute for proper adult supervision.
Failure to detach this restraint before moving the furniture may result in injury and damage.

This tip restraint must be attached to a wall stud using long screw enclosed.

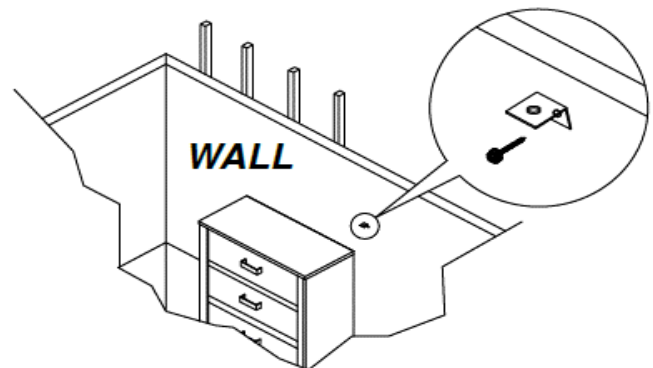
STEP 1

Attach a bracket securely to the back top rail of the furniture using short screw provided, through the smaller hole.



STEP 2

Locate the other bracket on the wall over a plastic wall stud and two inches below the mounting bracket secured to the back of the furniture. Attach the wall stud using the long screw provided, through the smaller hole.



STEP 3

Place the furniture into position so both mounting brackets are vertically in line. Lace the end of the restraint strap through the larger hole in each mounting bracket. Bring both ends together and slide the flat end through the locking end and draw it through until all slack is removed. Confirm that the strap is securely laced and locked.

