

ASSEMBLY INSTRUCTIONS
COASTER FINE FURNITURE



Fine Furniture for every stage of life

801018
BOOK SHELF

REVISION 0 : 09/14/2017
REVISION 1 : 07/01/2020

ITEM: 801018



ASSEMBLY INSTRUCTIONS

ASSEMBLY TIPS:

1. Remove hardware from box and sort by size.
2. Please check to see that all hardware and parts are present prior to start of assembly.
3. Please follow attached instructions in the same sequence as numbered to assure fast & easy assembly.



WARNING!

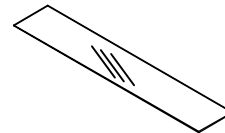
1. Don't attempt to repair or modify parts that are broken or defective. Please contact the store immediately.
2. This product is for home use only and not intended for commercial establishments.



ASSEMBLY TIME 55 MINUTES

PARTS IDENTIFICATION

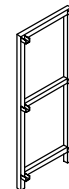
A TOP GLASS 1PC



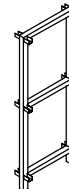
B SHELF GLASS 4PCS



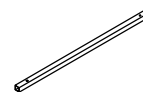
C SIDE FRAME 2PCS



D MIDDLE FRAME 1PC



E CROSSBARS 12PCS



ITEM: 801018

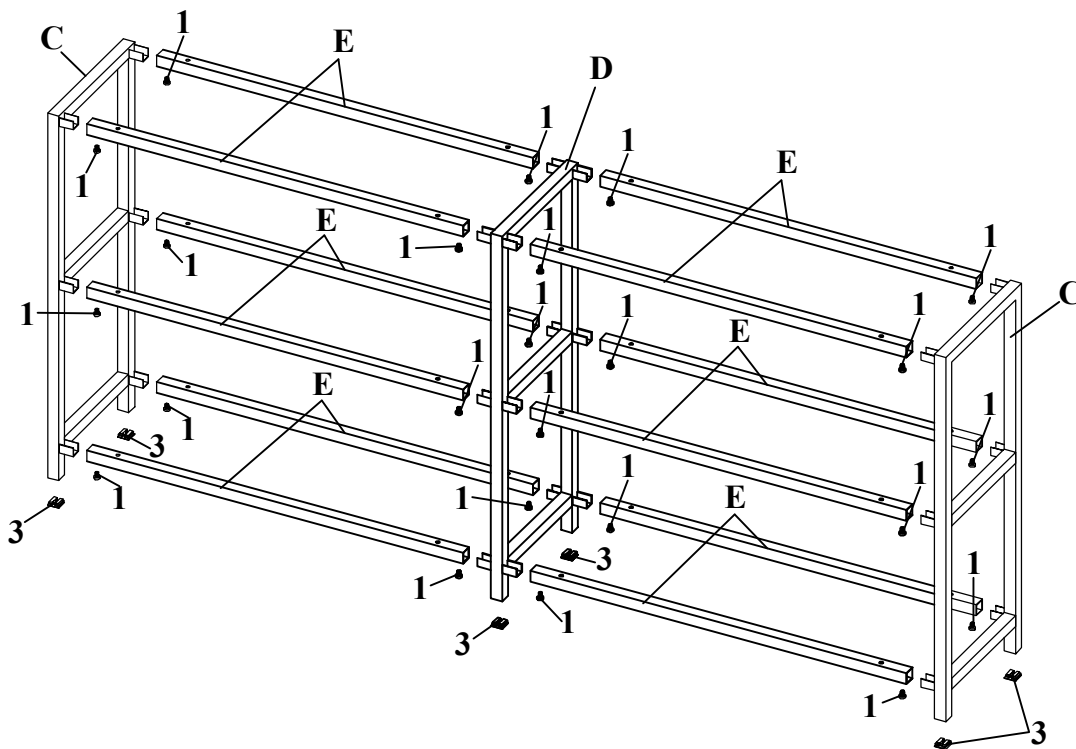
ASSEMBLY INSTRUCTIONS



HARDWARE IDENTIFICATION

1	SHORT BOLT (1/4" x 12mm BLK)		24PCS
2	SUCTION CUP (ϕ 19 x 9mm)		24PCS
3	CAP (20 x 20mm)		6PCS
4	ALLEN WRENCH (4mm)		1PC

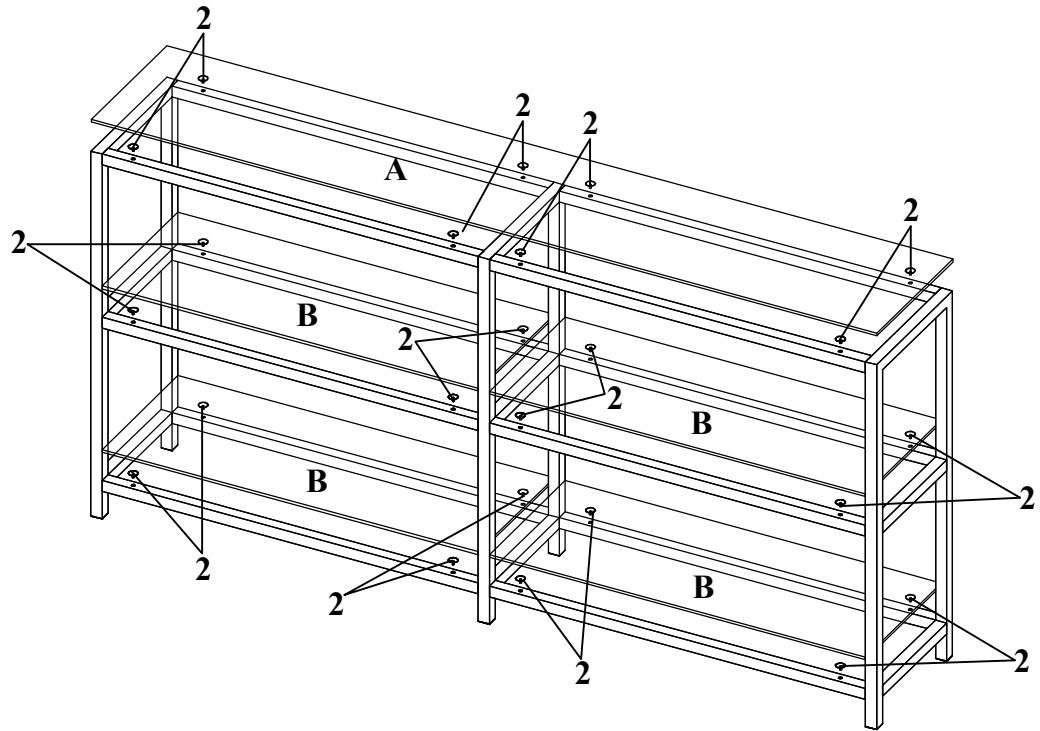
STEP 1 Do not tighten until each step is completed or instructed.



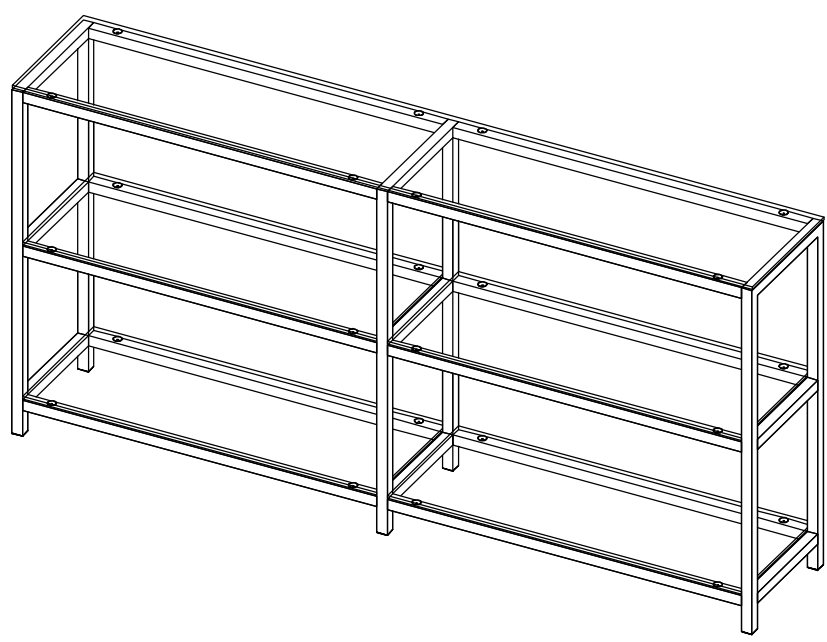
ITEM: 801018
ASSEMBLY INSTRUCTIONS



STEP 2



STEP 3

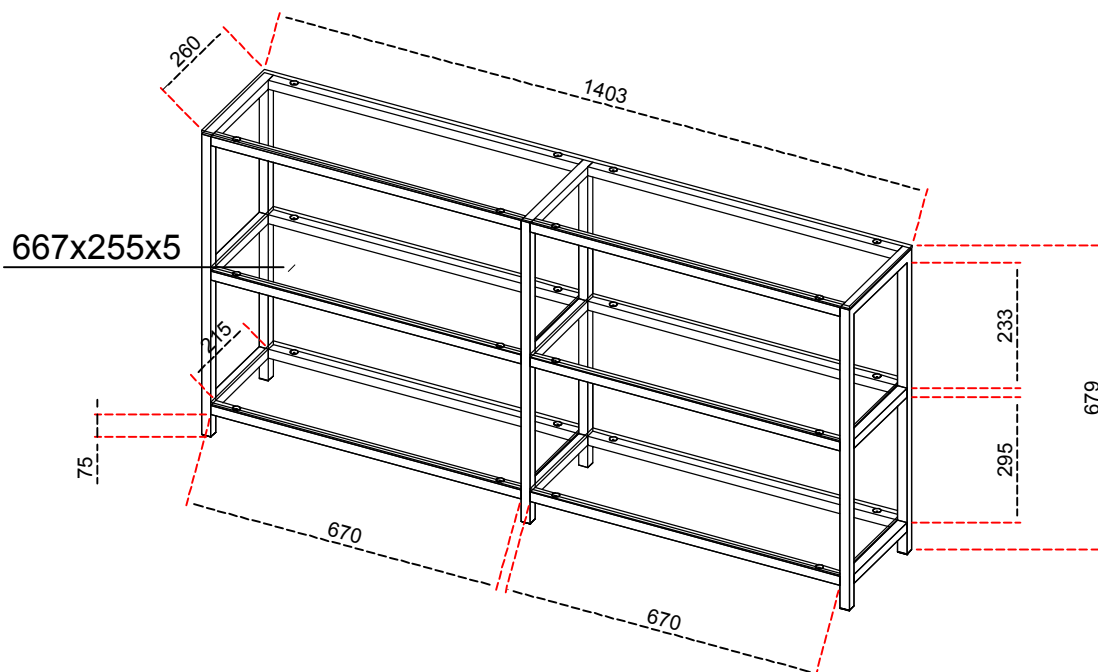
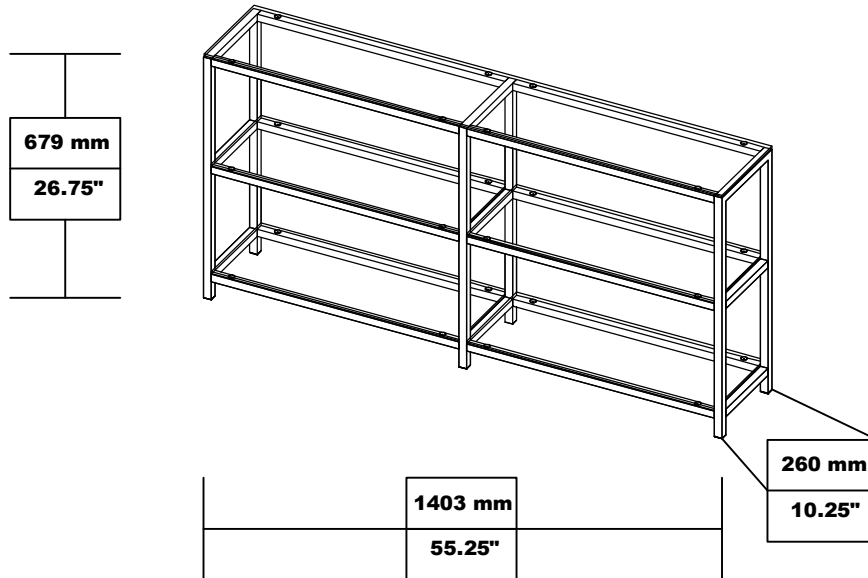


ITEM: 801018 ASSEMBLY INSTRUCTIONS



Product Size : 1403 X 260 X 679 H (MM)

Product Size : 55.25" X 10.25" X 26.75"



Note : Dimension tolerance $\pm 5\%$