

ASSEMBLY INSTRUCTIONS
COASTER FINE FURNITURE



Fine Furniture for every stage of life

800655
WRITING DESK

REVISION 0 : 09/22/2017
REVISION 1 : 07/01/2020

ITEM: 800655



ASSEMBLY INSTRUCTIONS

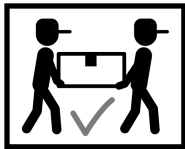
ASSEMBLY TIPS:

1. Remove hardware from box and sort by size.
2. Please check to see that all hardware and parts are present prior to start of assembly.
3. Please follow attached instructions in the same sequence as numbered to assure fast & easy assembly.



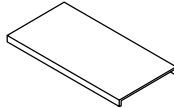
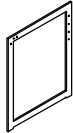
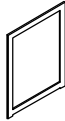

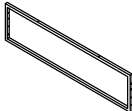
WARNING!

1. Don't attempt to repair or modify parts that are broken or defective. Please contact the store immediately.
2. This product is for home use only and not intended for commercial establishments.






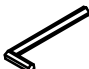


ASSEMBLY TIME 25 MINUTES

PARTS IDENTIFICATION

A	TOP PANEL		1PC
B	LEFT FRAME		1PC
C	RIGHT FRAME		1PC
D	CROSSBAR		1PC
E	BACK FRAME		1PC

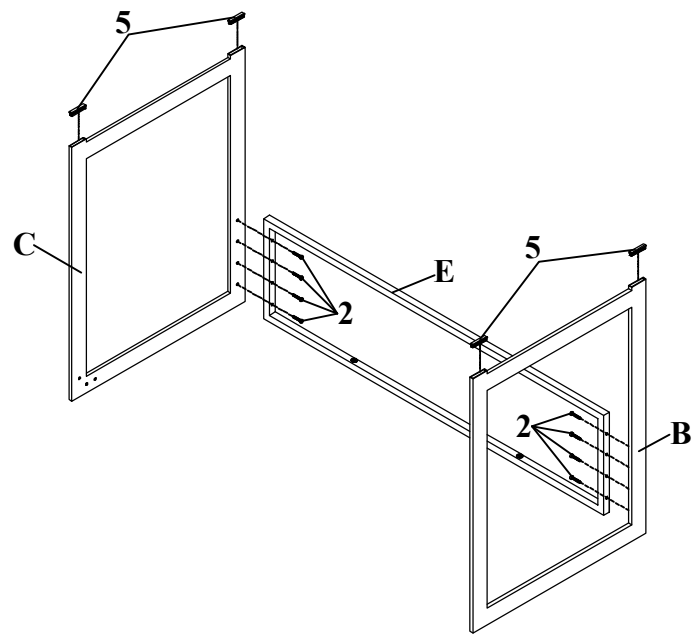
HARDWARE IDENTIFICATION

1	SHORT BOLT (1/4" x 10mm BLK)		6PCS	4	WASHER (ϕ 16mm BLK)		4PCS
2	MEDIUM BOLT (1/4" x 28mm BLK)		10PCS	5	CAP (10 x 50mm BLK)		4PCS
3	LONG BOLT (1/4" x 38mm BLK)		2PCS	6	ALLEN WRENCH (4mm)		1PC

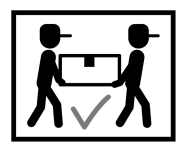
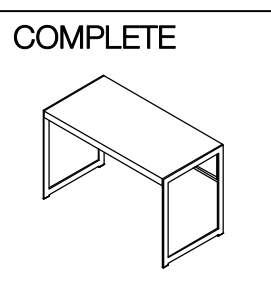
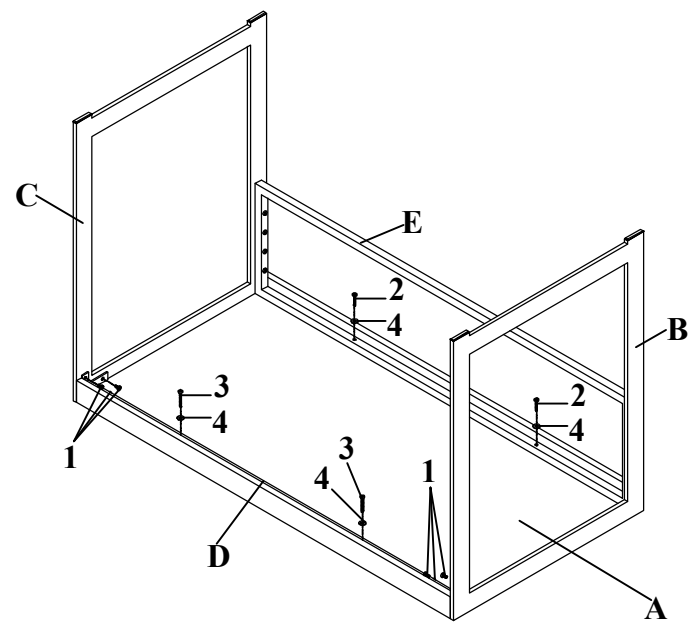
ITEM: 800655 ASSEMBLY INSTRUCTIONS



STEP 1 Do not tighten until each step is completed or instructed.



STEP 2



ITEM: 800655 ASSEMBLY INSTRUCTIONS



Product Size : 1181 X 559 X 762 H (MM)
Product Size : 46.5" X 22" X 30"

