

ASSEMBLY INSTRUCTIONS
COASTER FINE FURNITURE



7040
Glider w/ Ottoman

REVISION 0: 02/28/2019
REVISION 1: 05/16/2019
REVISION 2: 06/15/2020

ASSEMBLY INSTRUCTIONS

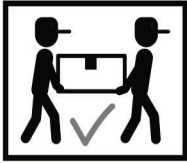
ASSEMBLY TIPS:

1. Remove hardware from box and sort by size.
2. Please check to see that all hardware and parts are present prior to start of assembly.
3. Please follow attached instructions in the same sequence as numbered to assure fast & easy assembly.



WARNING!

1. Don't attempt to repair or modify parts that are broken or defective. Please contact the store immediately.
2. This product is for home use only and not intended for commercial establishments.



ASSEMBLY TIME 25 MINUTES

PARTS IDENTIFICATION

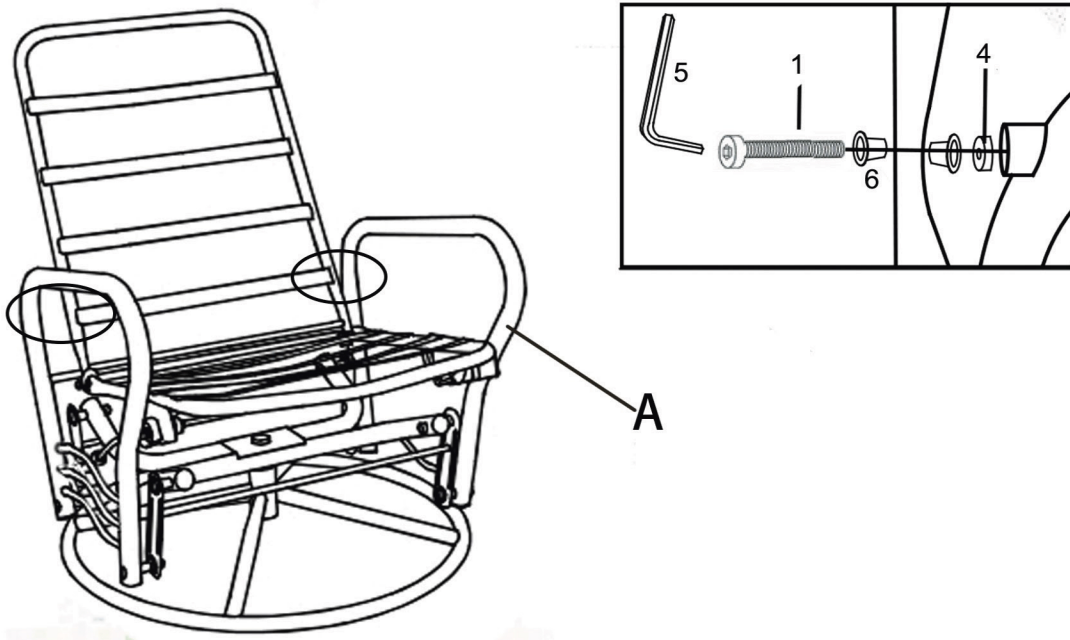
A	MAIN FRAME		1PC
B	CUSHION		1PC
C	LEFT ARMREST		1PC
D	RIGHT ARMREST		1PC
EN	OTTOMAN FRAME		1PC
FN	OTTOMAN CUSHION		1PC

HARDWARE IDENTIFICATION

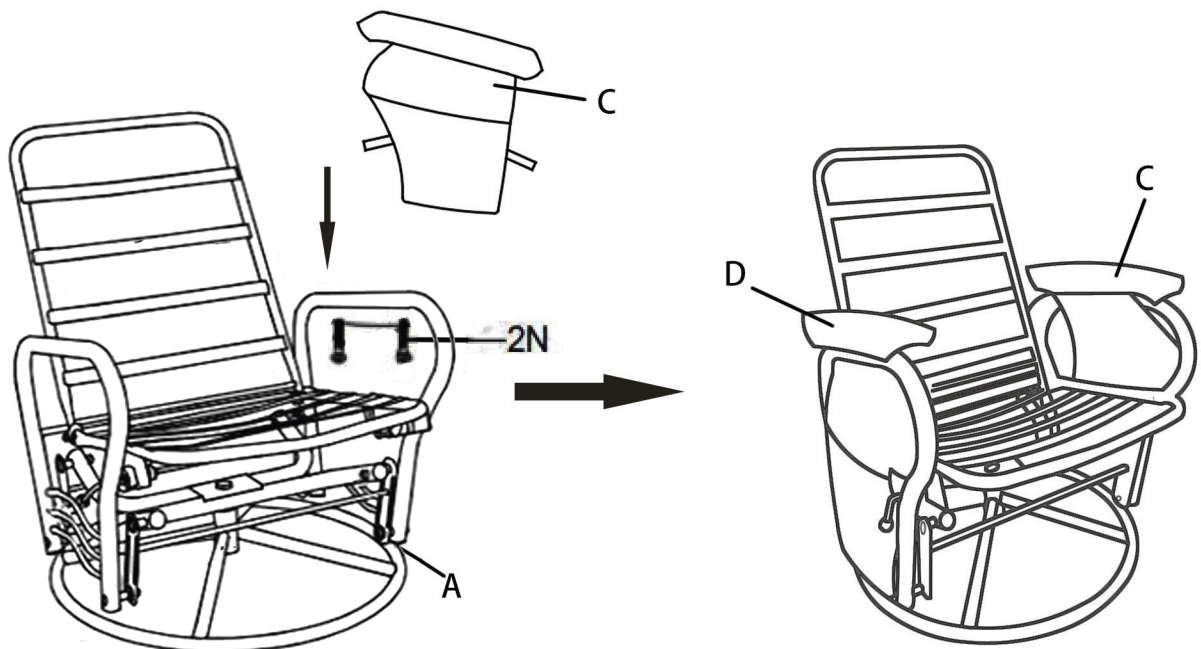
1	ALLEN BOLT-LARGE M8x45MM		2PC
2N	ALLEN BOLT-SMALL 1/4" x45MM		4PC
3N	BOLT 1/4" x16MM		4PC
4	WASHER		2PC
5	ALLEN KEYS		1PC
6	T WASHER		4PC

ITEM: 7040

ASSEMBLY INSTRUCTIONS
STEP 1

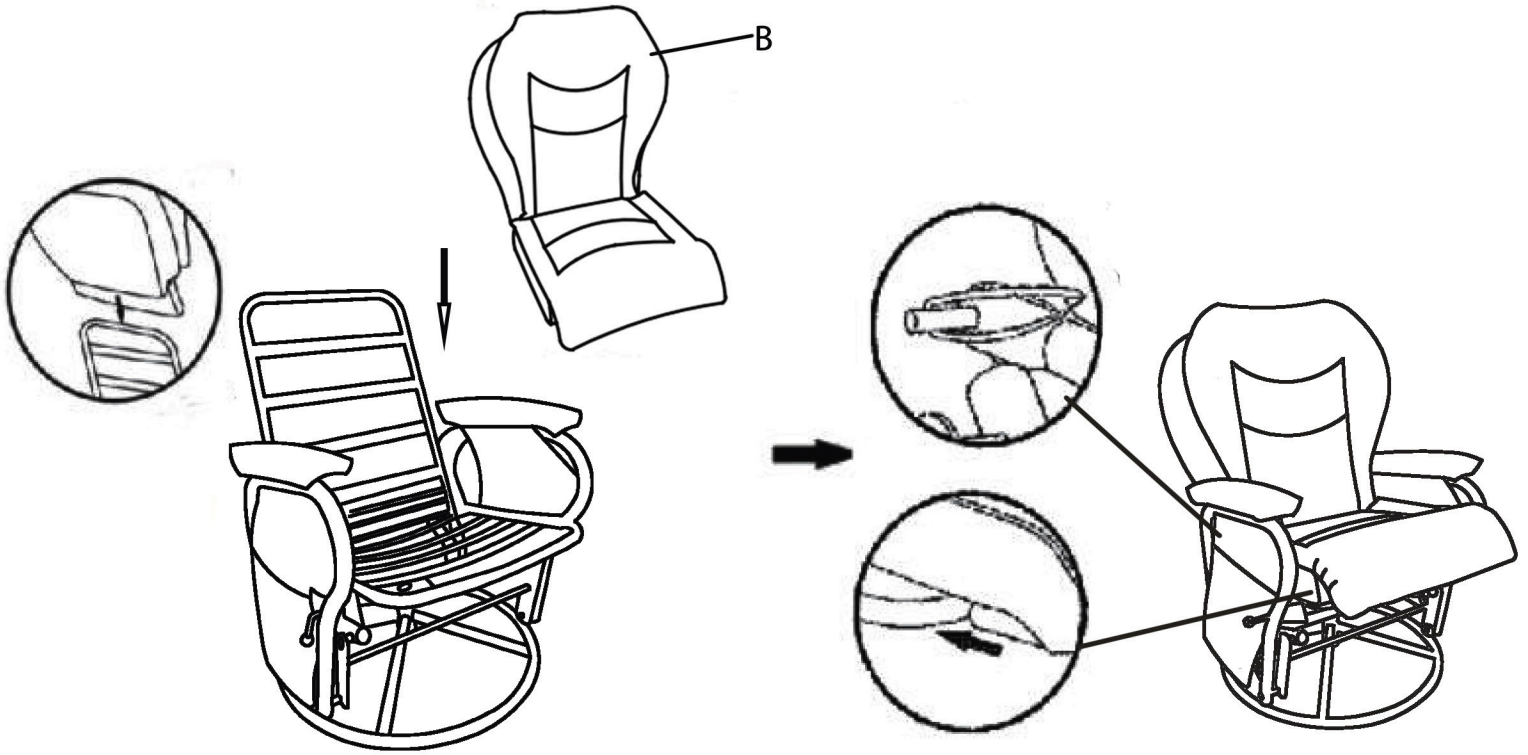


STEP 2

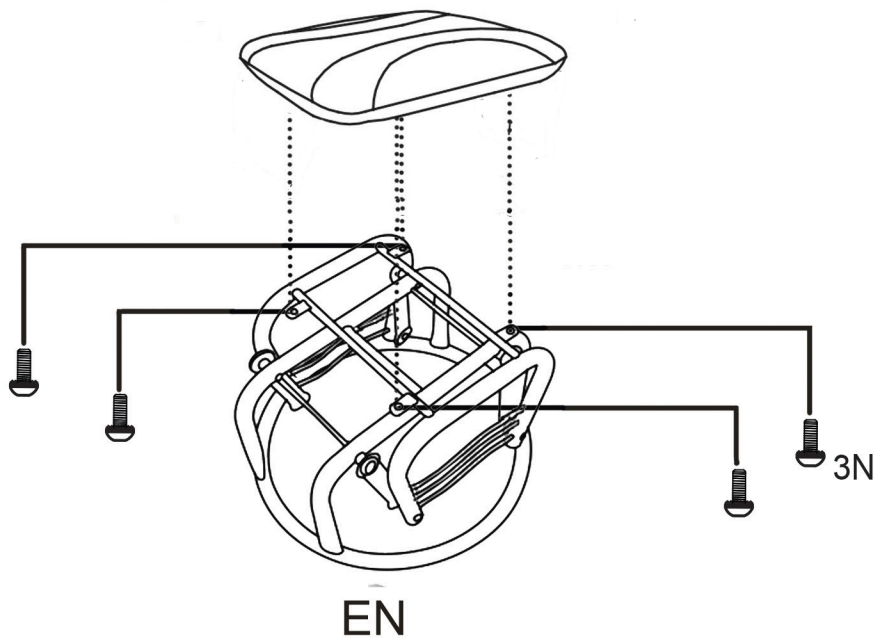


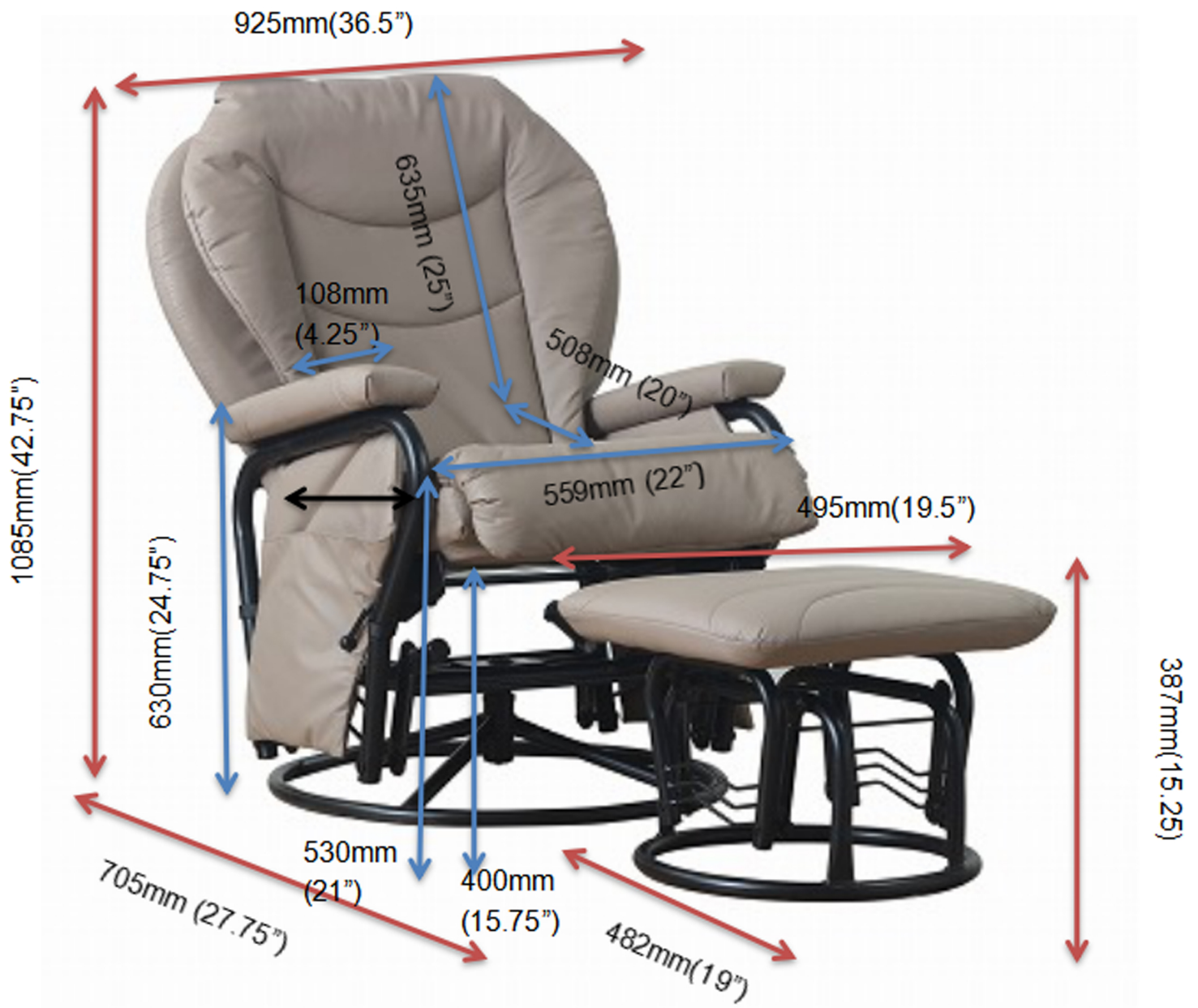
ITEM: 7040

ASSEMBLY INSTRUCTIONS
STEP 3



STEP 4





Note : Dimension tolerance $\pm 5\%$