

ASSEMBLY INSTRUCTIONS
COASTER FINE FURNITURE



Fine Furniture for every stage of life

100166
BAR UNIT

REVISION 0 : 11/10/2017
REVISION 1 : 06/16/2020

ITEM: 100166



ASSEMBLY INSTRUCTIONS

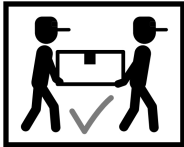
ASSEMBLY TIPS:

1. Remove hardware from box and sort by size.
2. Please check to see that all hardware and parts are present prior to start of assembly.
3. Please follow attached instructions in the same sequence as numbered to assure fast & easy assembly.



WARNING!

1. Don't attempt to repair or modify parts that are broken or defective. Please contact the store immediately.
2. This product is for home use only and not intended for commercial establishments.



ASSEMBLY TIME 50 MINUTES

PARTS IDENTIFICATION

A	TOP WOOD		1PC
B	SHELF GLASS		2PCS
C	BOTTOM WOOD		1PC
D	SIDE WOOD		1PC
E	CENTER SUPPORT BAR		2PCS
F	LARGE CROSSBAR		2PCS

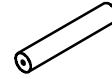
ITEM:100166

ASSEMBLY INSTRUCTIONS

PARTS IDENTIFICATION



G BOTTOM CROSSBAR



1PC

H HANGER BRACKET



3PCS

I SMALL CROSSBAR




1PC

HARDWARE IDENTIFICATION

1 CAM-LOCK
(ϕ 15mm)  2PCS

2 CAM-BOLT
(38mm)  2PCS

3 WOOD DOWEL
(10 x 50mm)  4PCS

4 GLASS METAL
(10mm)  4PCS

5 GLASS BOLT
(8 x 8mm)  4PCS

6 SMALL SCREW
(7# x 15mm)  20PCS


7 BOLT
(5/16" x 2-1/2")  3PCS

8 LARGE SCREW
(5.5 x 70mm)  2PCS

9 WASHER
(ϕ 50mm)  5PCS

10 SMALL WASHER
(ϕ 19mm)  1PC

11 SMALL ALLEN BOLT
(1/4" x 1" SR)  1PC

12 ALLEN BOLT
(5/16" x 76mm SR)  1PC

13 FOOT PIN
(ϕ 17mm)  5PCS

14 STICKER
(ϕ 20mm)  2PCS

ITEM:100166

ASSEMBLY INSTRUCTIONS



HARDWARE IDENTIFICATION

15 ALLEN WRENCH
(4mm,5mm)



1PC

16 LARGE WASHER
(5/16")



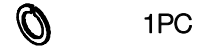
1PC

17 ROUND IRON
(ϕ 63mm)



1PC

18 SPRING WASHER
(5/16")



1PC

19 LARGE ALLEN
(1/4" x 235mm)



1PC

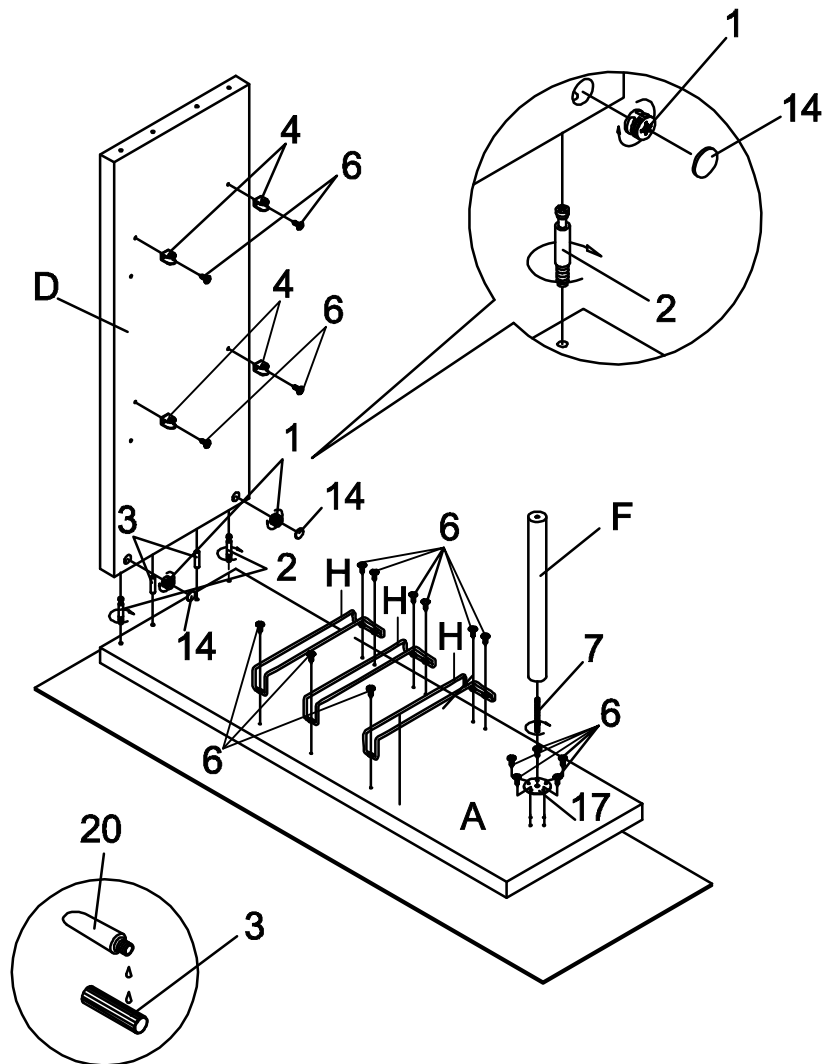
20 GLUE



1PC

STEP 1

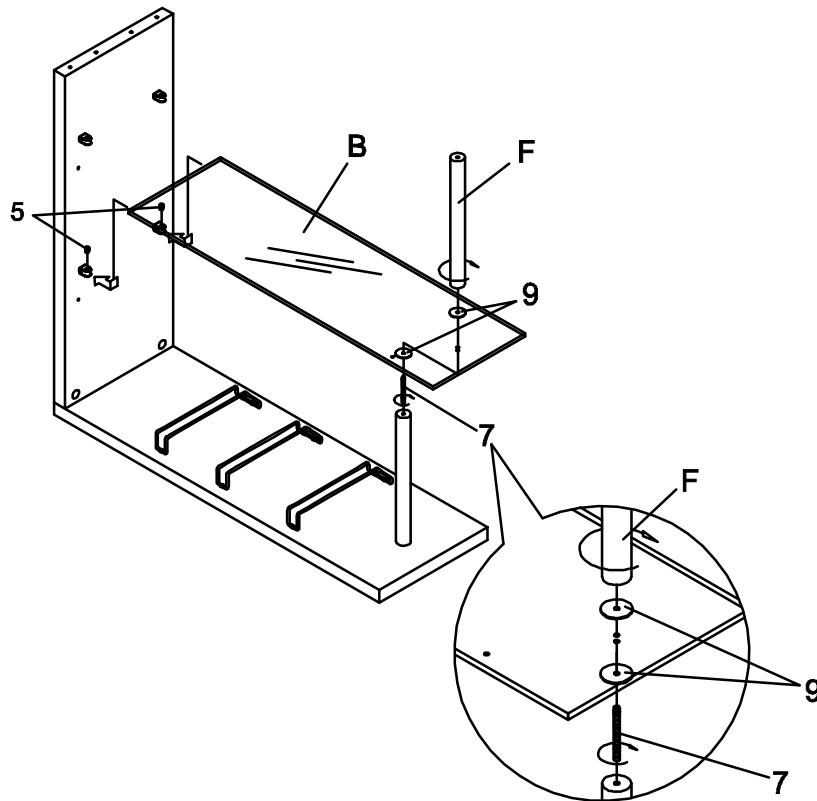
Do not tighten until each step is completed or instructed.



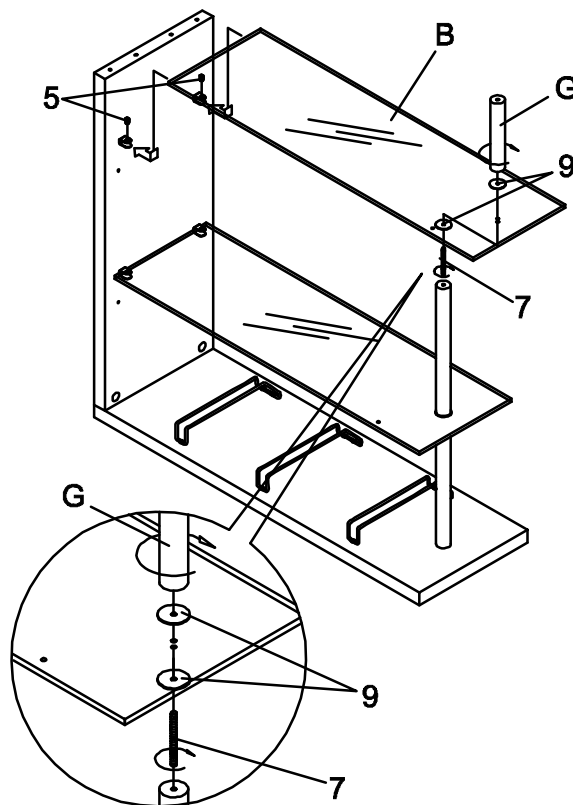
ITEM:100166

ASSEMBLY INSTRUCTIONS

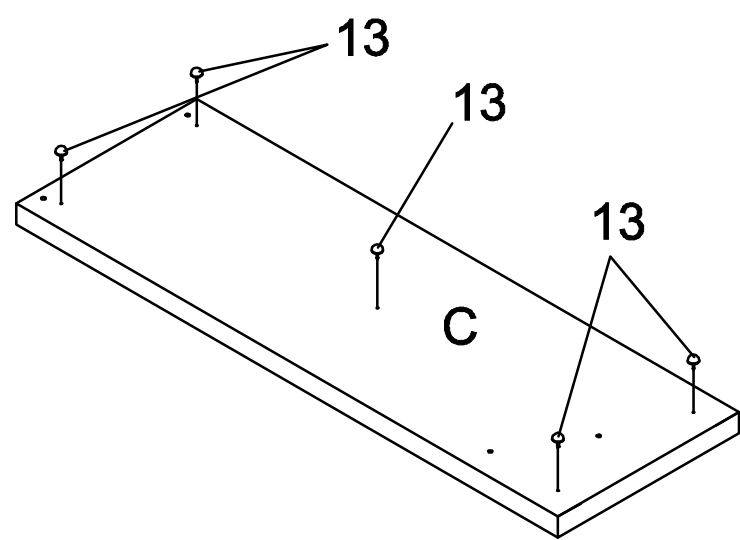
STEP 2



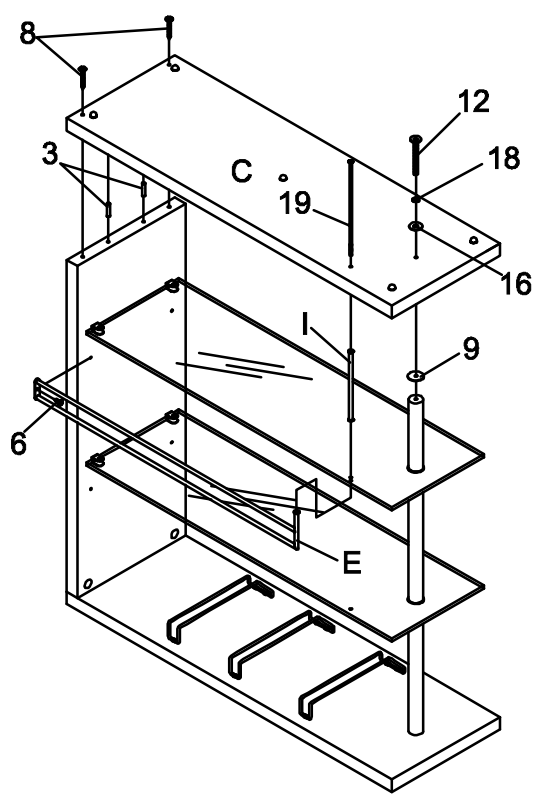
STEP 3



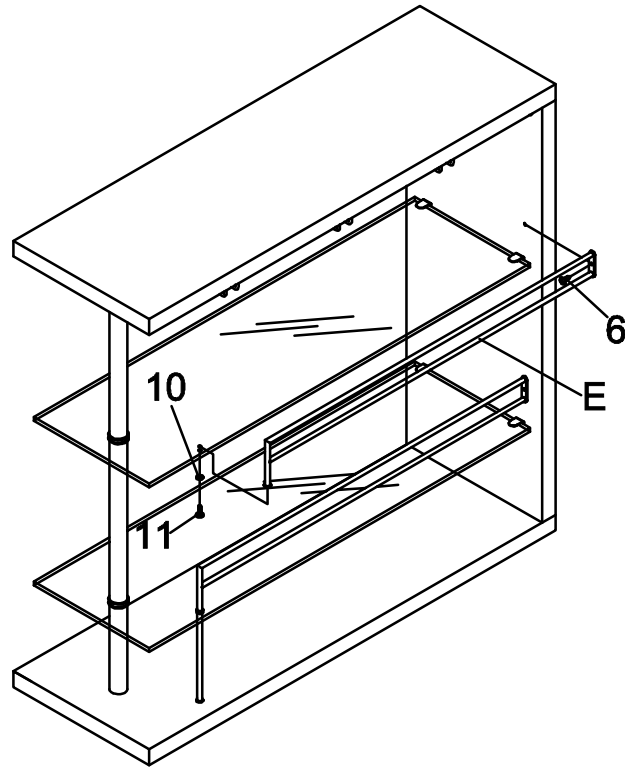
ITEM: 100166
ASSEMBLY INSTRUCTIONS
STEP 4



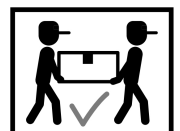
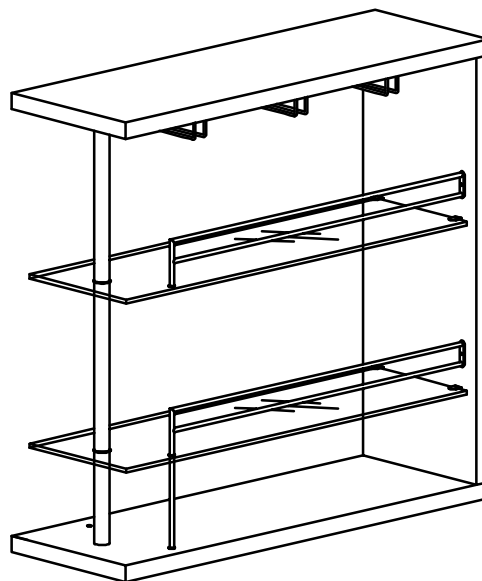
STEP 5



ITEM: 100166
ASSEMBLY INSTRUCTIONS
STEP 6



STEP 7
COMPLETE

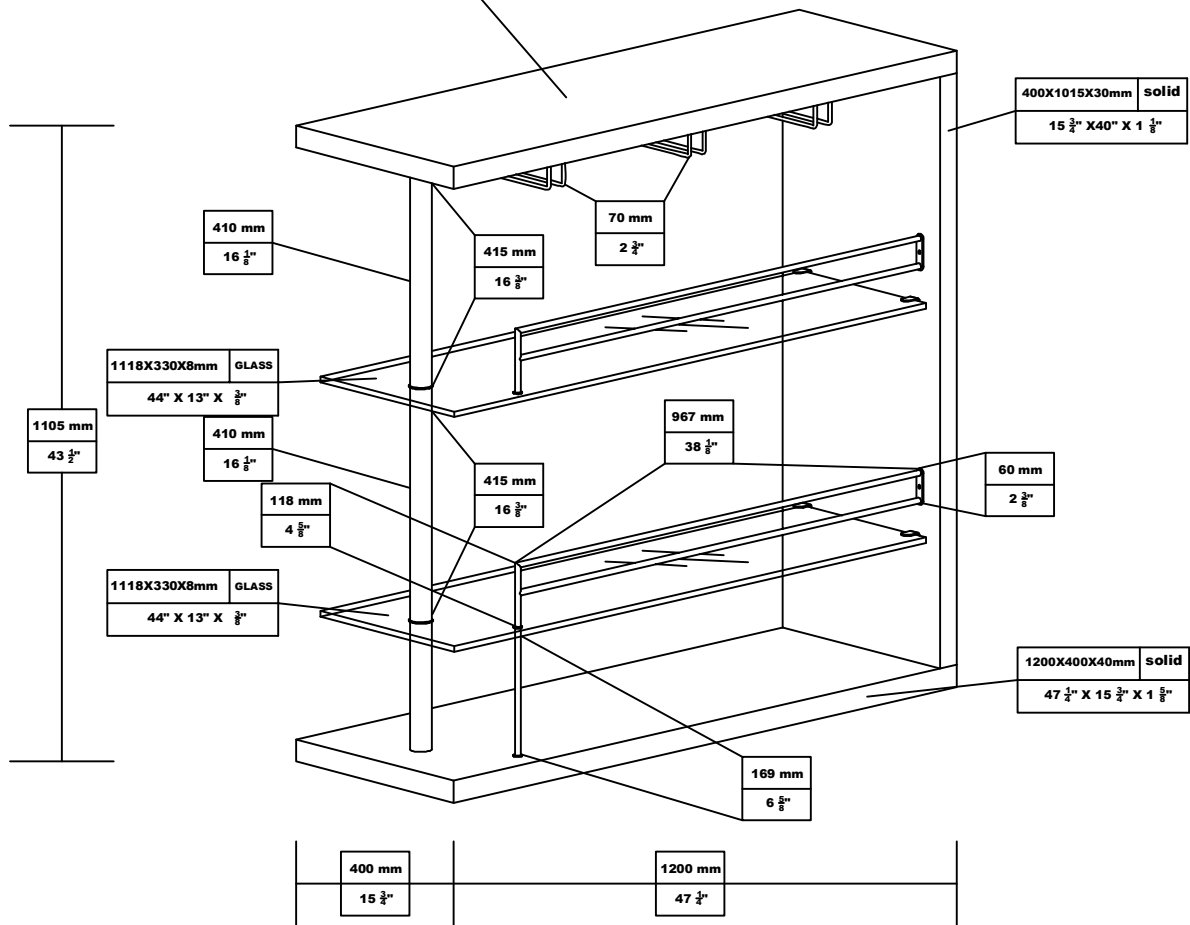


ITEM: 100166 ASSEMBLY INSTRUCTIONS



Product Size : 1200 X 400 X 1105 H (MM)
Product Size : 47 1/4" X 15 3/8" X 43 1/2"

1200X400X40mm solid
47 1/4" X 15 3/8" X 1 5/8"



Note : Dimension tolerance ±5%