

*ASSEMBLY INSTRUCTIONS
COASTER FINE FURNITURE*



Fine Furniture for every stage of life

800903
MOBILE FILE CABINET

ITEM:800903



ASSEMBLY INSTRUCTIONS

ASSEMBLY TIPS:

1. Remove hardware from box and sort by size.
2. Please check to see that all hardware and parts are present prior to start of assembly.
3. Please follow attached instructions in the same sequence as numbered to assure fast & easy assembly.



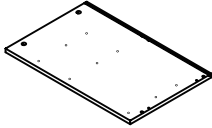
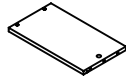
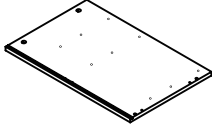
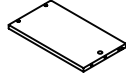
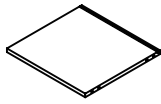
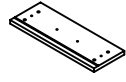
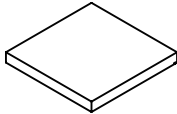


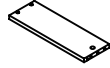
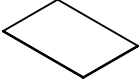
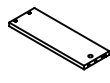
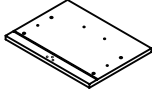
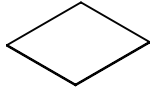

WARNING!

1. Don't attempt to repair or modify parts that are broken or defective. Please contact the store immediately.
2. This product is for home use only and not intended for commercial establishments.

ASSEMBLY TIME

50 MINUTES

PARTS IDENTIFICATION

A	LEFT SIDE PANEL		1 PC	I	LARGE DRAWER LEFT SIDE PANEL		1 PC
B	RIGHT SIDE PANEL		1 PC	J	LARGE DRAWER RIGHT SIDE PANEL		1 PC
C	BOTTOM PANEL		1 PC	K	SMALL DRAWER FRONT PANEL		2 PCS
D	TOP PANEL		1 PC	L	SMALL DRAWER BACK PANEL		2 PCS
E	BACK BOARD		1 PC	M	SMALL DRAWER LEFT SIDE PANEL		2 PCS
F	BACK PANEL		2 PCS	N	SMALL DRAWER RIGHT SIDE PANEL		2 PCS
G	LARGE DRAWER FRONT PANEL		1 PC	O	DRAWER BOTTOM PANEL		3 PCS
H	LARGE DRAWER BACK PANEL		1 PC				

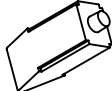

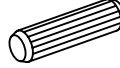


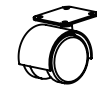





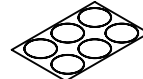
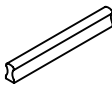
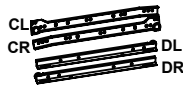
NOTE:

Phillips head screw driver is required in the assembly process; however, manufacturer does not provide this item.

ITEM: 800903

Z

HARDWARE IDENTIFICATION

NO	DESCRIPTION	FIGURE	Q'TY	NO	DESCRIPTION	FIGURE	Q'TY
1	GLUE 40g		1PC	8	BOLT Ø 4x28mm		6 PCS
2	WOODEN DOWEL Ø 8x30mm		22 PCS	9	LOCK CASTER Ø 40mm		2 PCS
3	CAM LOCK Ø 15x12mm		16 PCS	10	CASTER Ø 40mm		2 PCS
4	CAM BOLT Ø 7x35.5mm		16 PCS	11	WHEEL Ø 40mm		1 PC
5	SCREW Ø 4.2x35mm		12 PCS	12	SCREW Ø 4x18mm		19 PCS
6	SCREW Ø 3x12mm		36 PCS	13	STICKER Ø 20mm		3 PCS
7	HANDLE L = 120mm		3 PCS	14	RAIL L = 350mm		3 SET

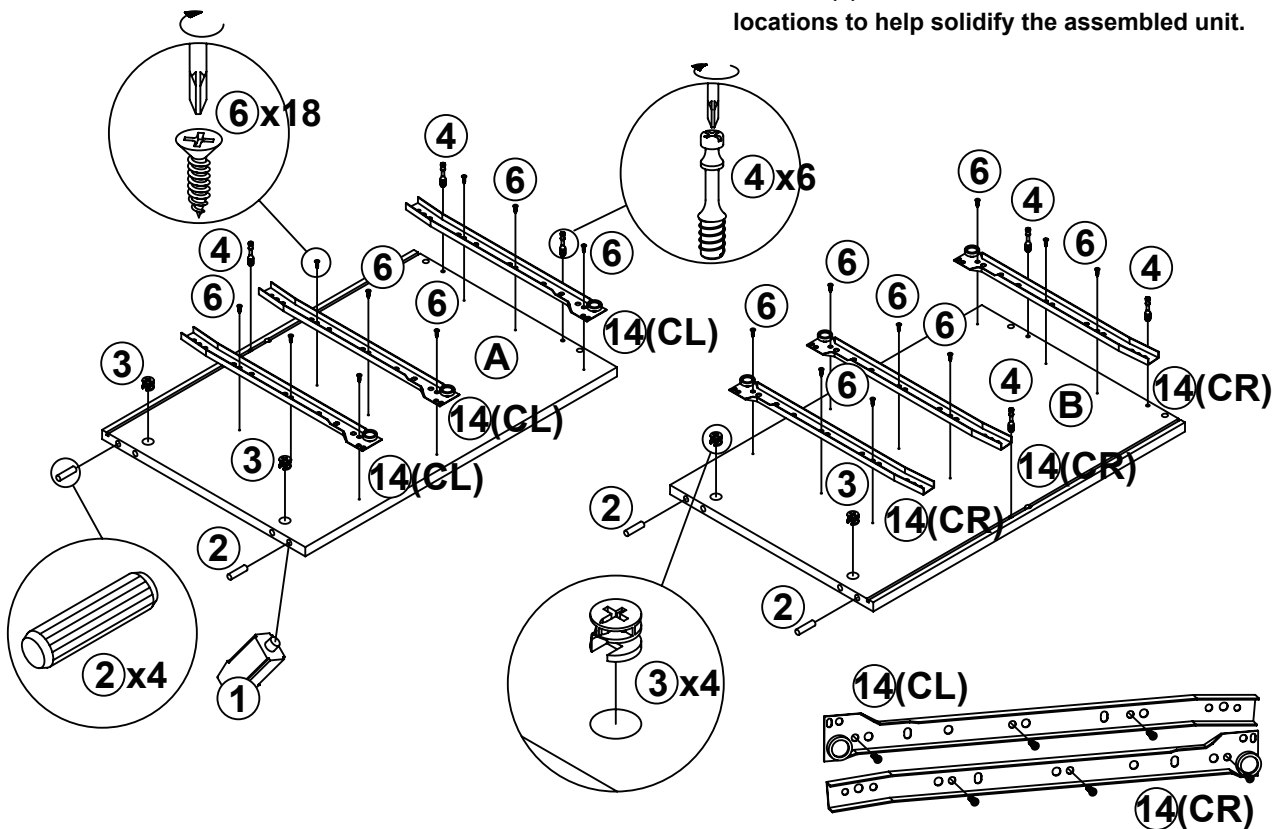
Z7,Z8,Z9,Z10,Z11,Z12,Z14 not included in blister packaging.

NOTE:

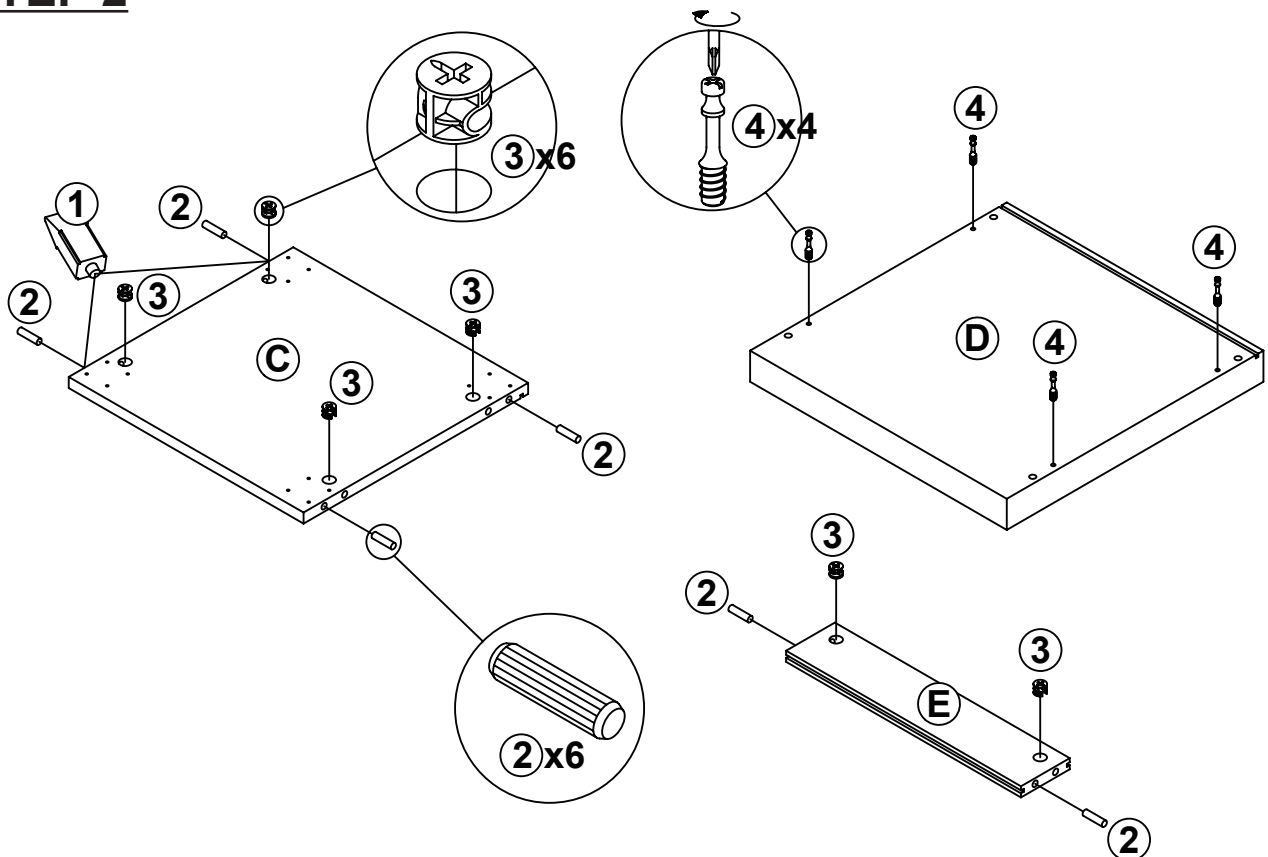
Phillips head screw driver is required in the assembly process; however, manufacturer does not provide this item.

STEP 1

The Glue (1) should be used in the indicated locations to help solidify the assembled unit.

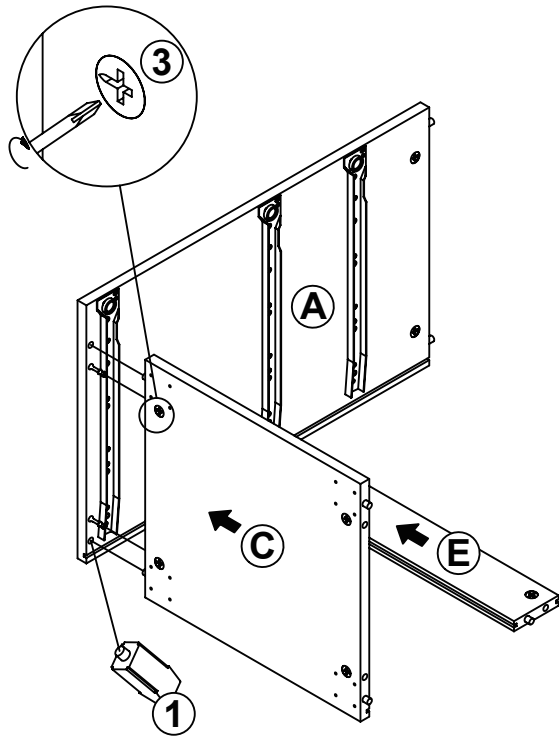


STEP 2

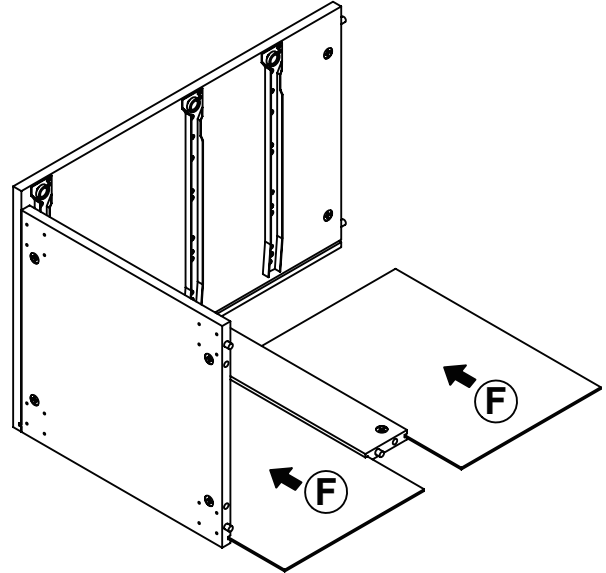


ITEM: 800903

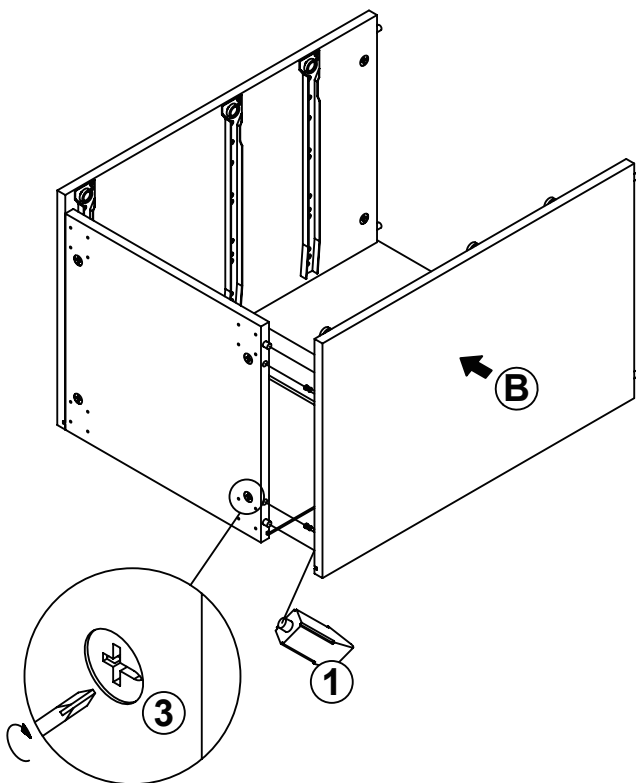
STEP 3



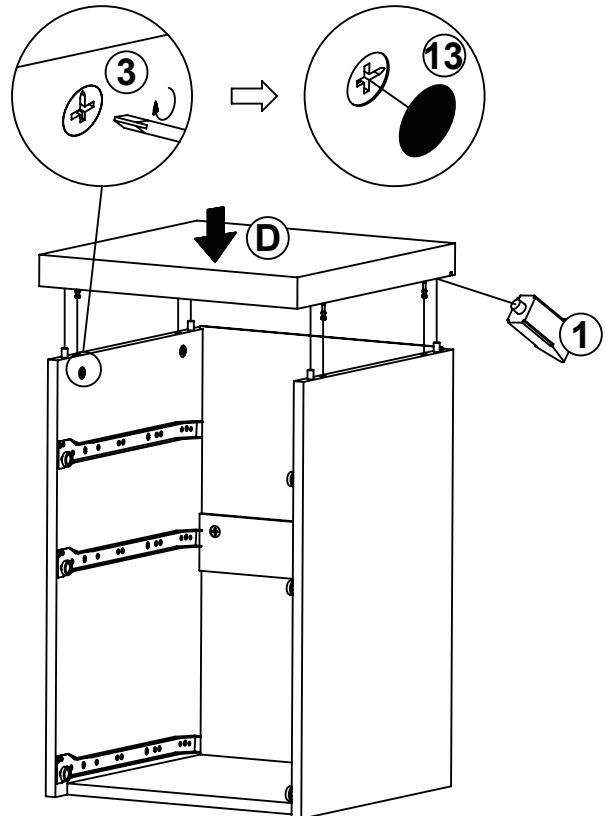
STEP 4



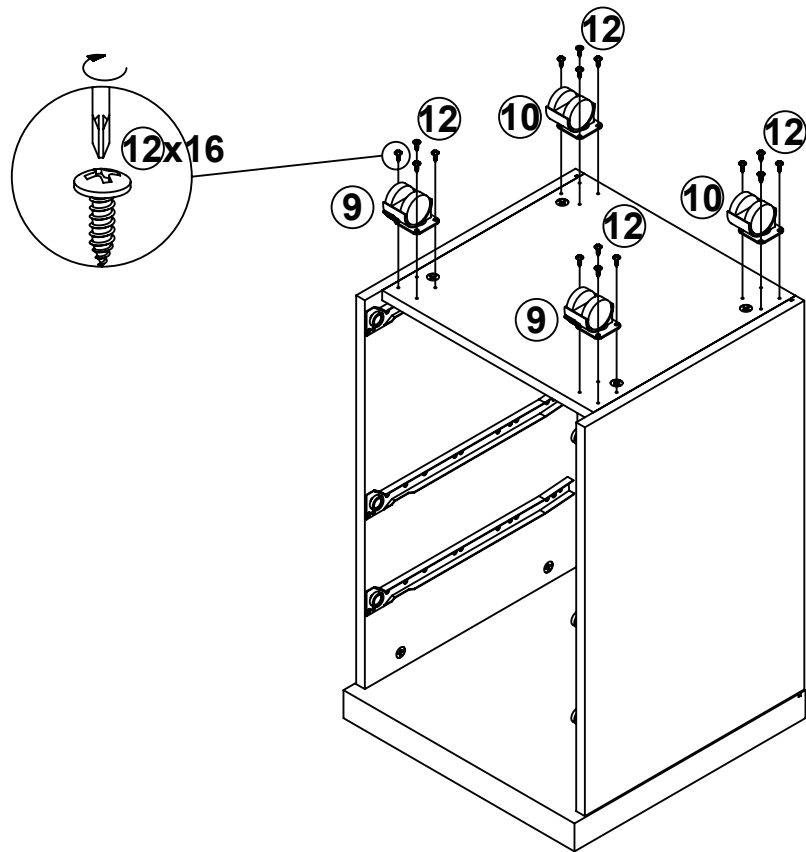
STEP 5



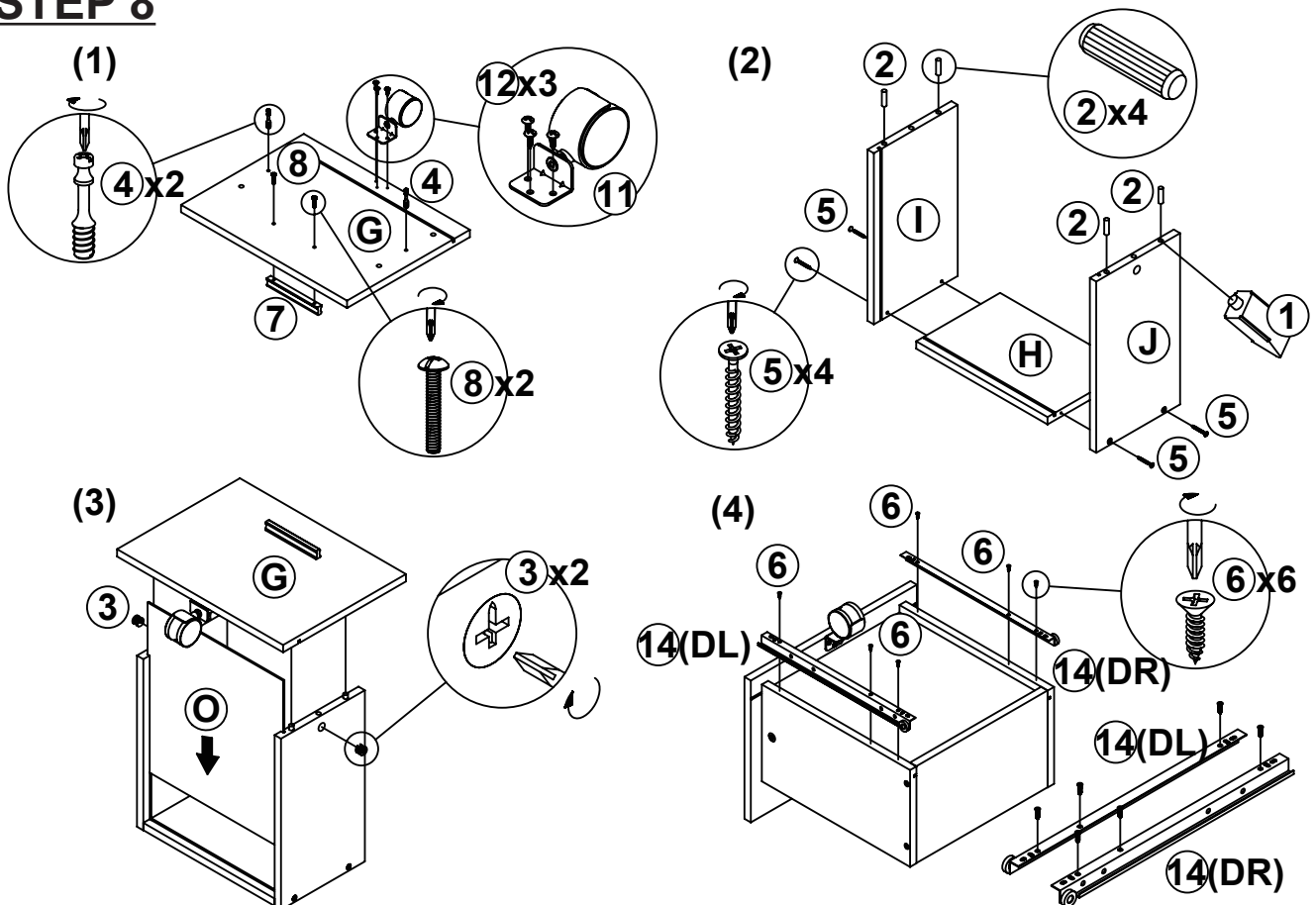
STEP 6



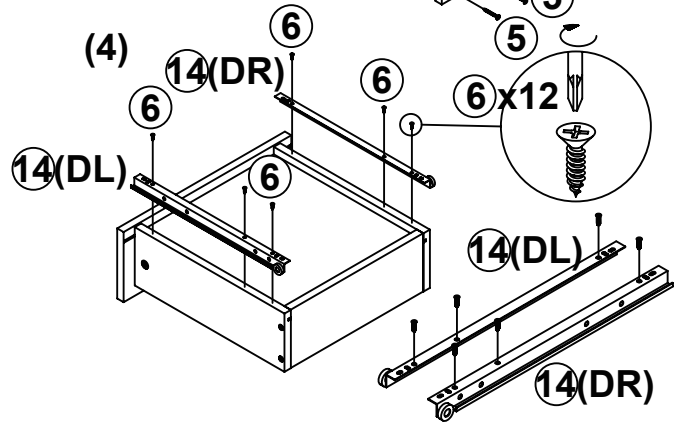
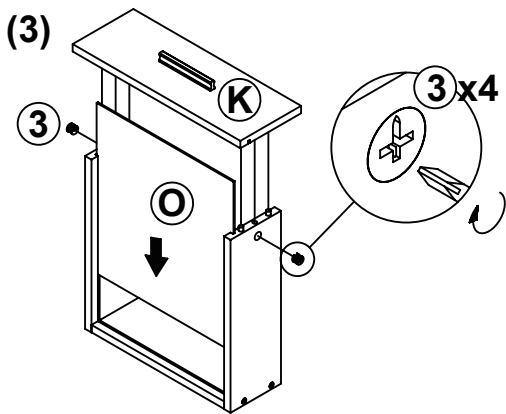
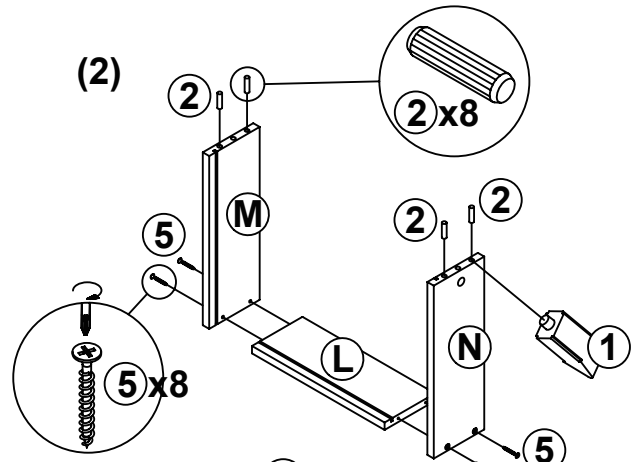
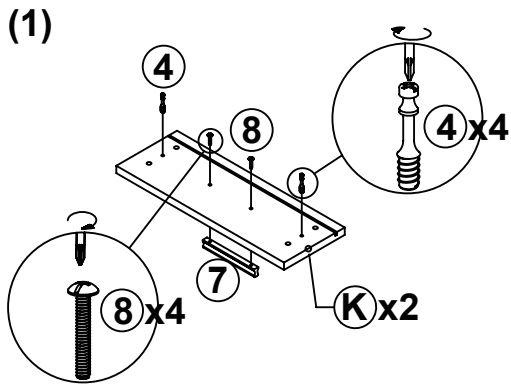
STEP 7



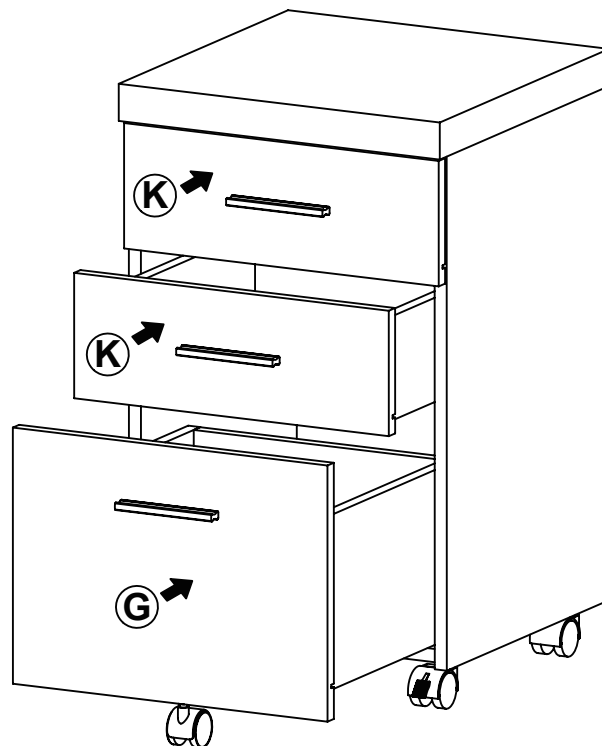
STEP 8

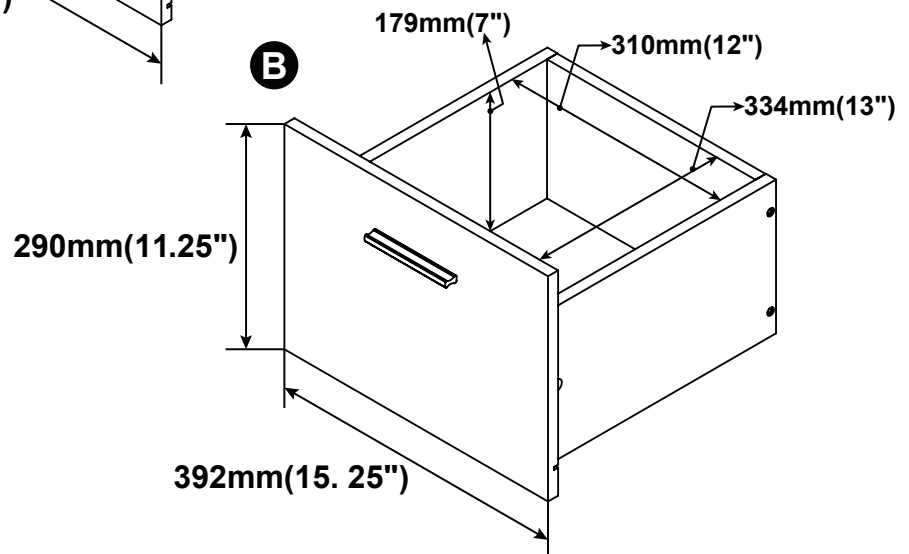
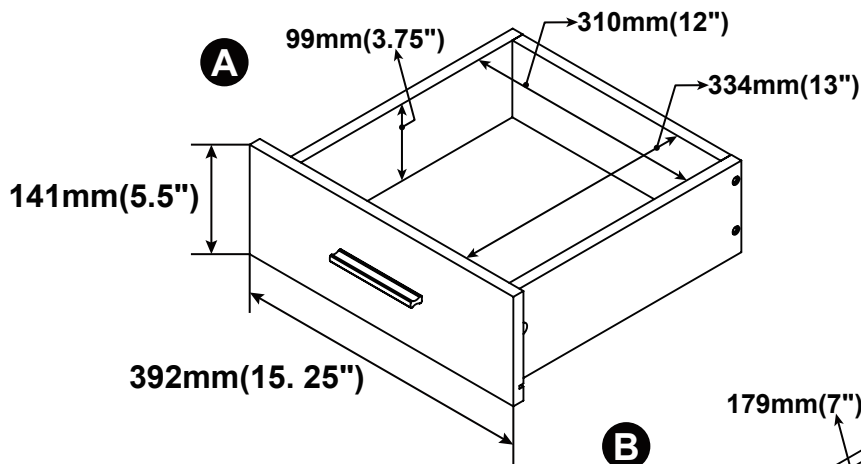
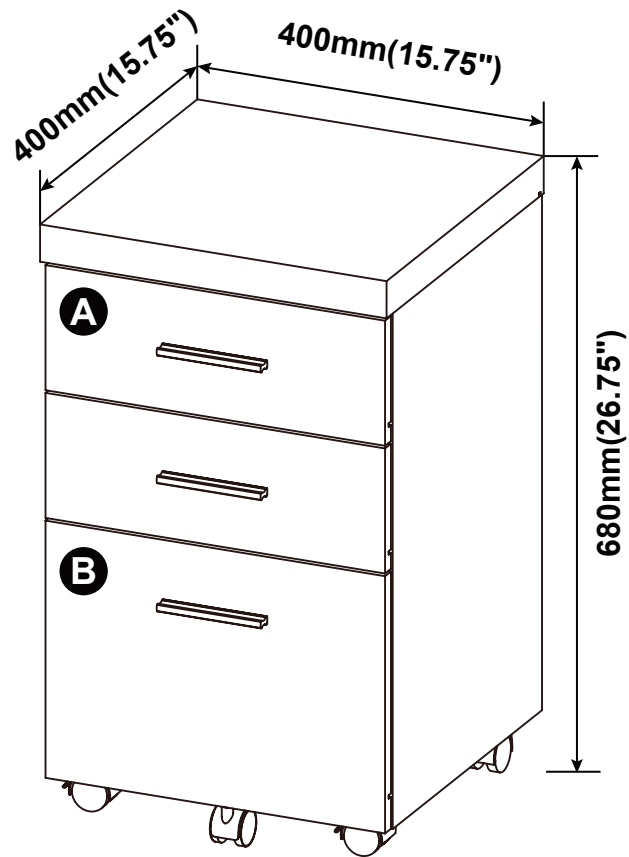


STEP 9



STEP 10





Note : Dimension tolerance $\pm 5\%$