



ASSEMBLY INSTRUCTION
COASTER FINE FURNITURE



800779
2 PC DESK SET

REVISION 0 : 07/04/2017
REVISION 1 : 05/16/2019

PAGE 1 OF 4

WWW.COASTERFURNITURE.COM

ITEM :800779



ASSEMBLY INSTRUCTION

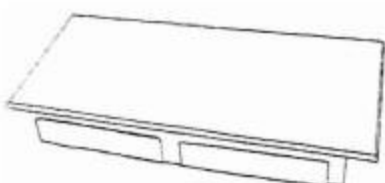
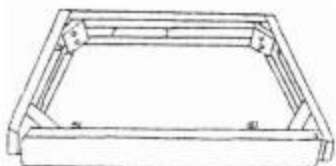


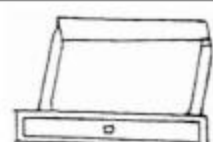

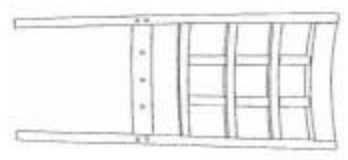
ASSEMBLY TIPS:

- 1、 Remove hardware from box and sort by size.
- 2、 Please check to see that all hardware and parts are present prior to start of assembly.
- 3、 Please follow attached instructions in the same sequence as numbered to assure fast & easy assembly.








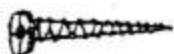
▲Warning!

- 1、 Don't attempt to repair or modify parts that are broken or defective. Please contact the store immediately.
- 2、 This product is for home use only and not intended for commercial establishment.

PARTS IDENTIFICATION

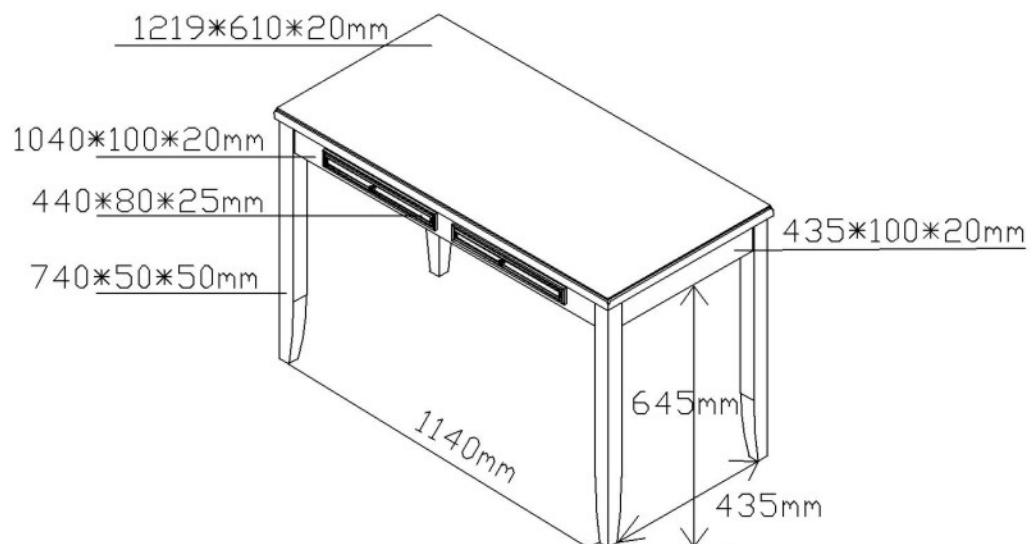
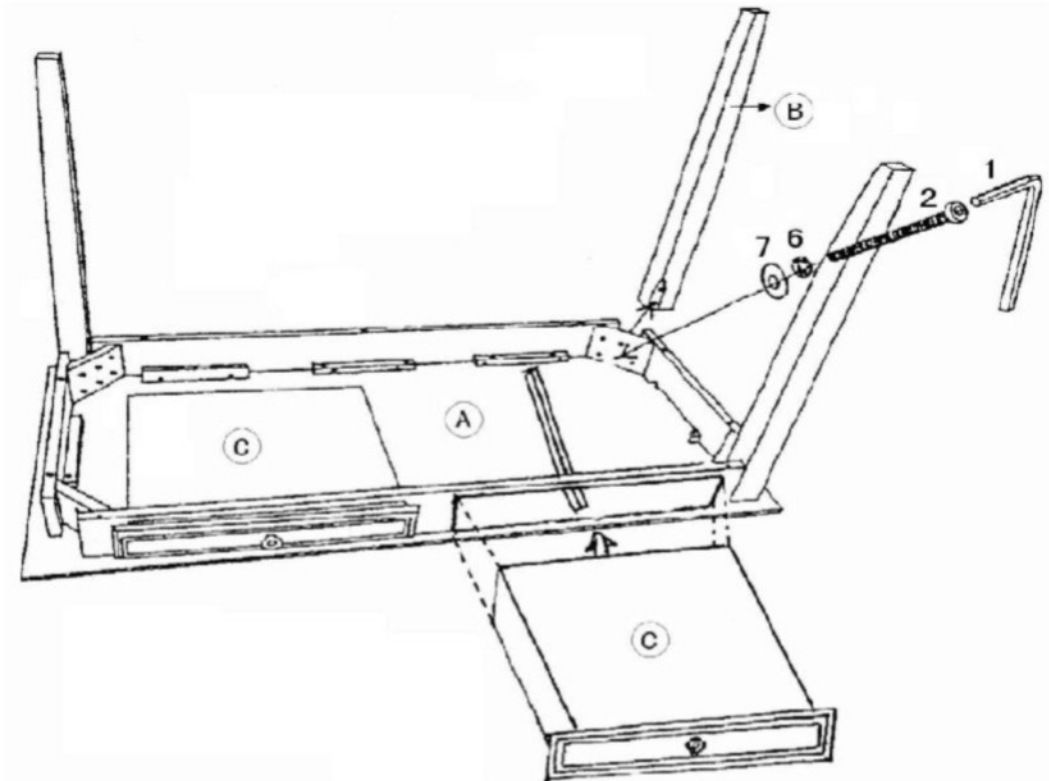
A	TOP	 1PC	E	SEAT	 1PC
B	DESK LEGS	 4PCS	F	CHAIR LEGS	 2PCS
C	DRAWER	 2PCS	G	CUSHION	 1PCS
D	CHAIR BACK	 1PCS			

HARDWARE IDENTIFICATION

NO	DESCRIPTION	FIGURE	Q'TY
1		WRENCH 5MM	1PCS
2		BOLT 5/16" DAL×2-1/8"	8PCS
3		BOLT 5/16" DAL×3"	4PCS
4		BOLT 5/16" DAL×2-1/4"	4PCS
5		BOLT 5/16" DAL×1-1/2"	1PCS
6		LOCK 5/16"DAL	17PCS
7		WRSHER 5/16" DAL	17PCS
8		SCREW Φ4mm×5/8"	4PCS

ITEM : 800779

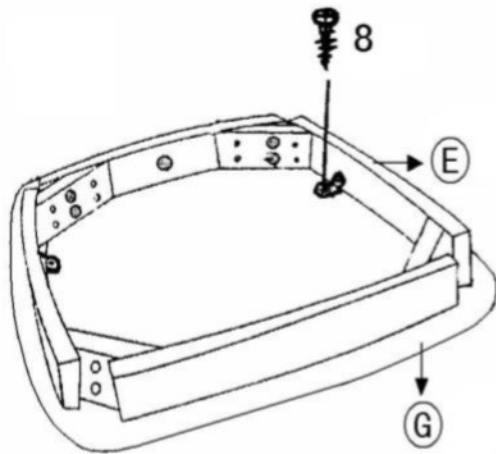
1.) Step 1:



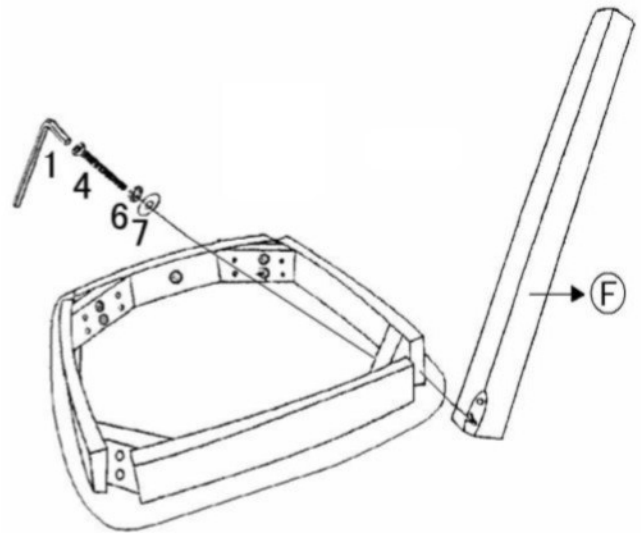
ITEM :800779



Step 1:



Step 2:



Step 3:

