



ASSEMBLY INSTRUCTION  
COASTER FINE FURNITURE



800778  
2 PC DESK SET

REVISION 0 : 07/04/2017  
REVISION 1 : 05/16/2019

PAGE 1 OF 4

WWW.COASTERFURNITURE.COM

ITEM :800778



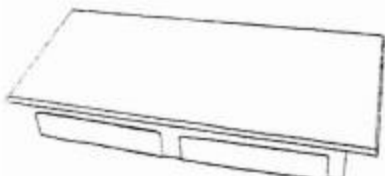
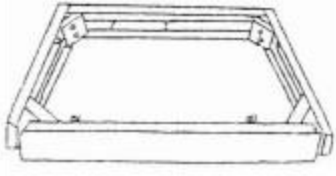


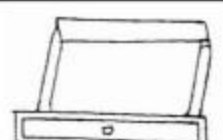
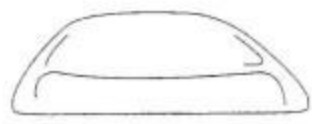
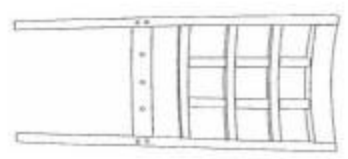
**ASSEMBLY INSTRUCTION**  
**ASSEMBLY TIPS:**

- 1、 Remove hardware from box and sort by size.
- 2、 Please check to see that all hardware and parts are present prior to start of assembly.
- 3、 Please follow attached instructions in the same sequence as numbered to assure fast & easy assembly.








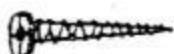
**▲Warning!**

- 1、 Don't attempt to repair or modify parts that are broken or defective. Please contact the store immediately.
- 2、 This product is for home use only and not intended for commercial establishment.

**PARTS IDENTIFICATION**

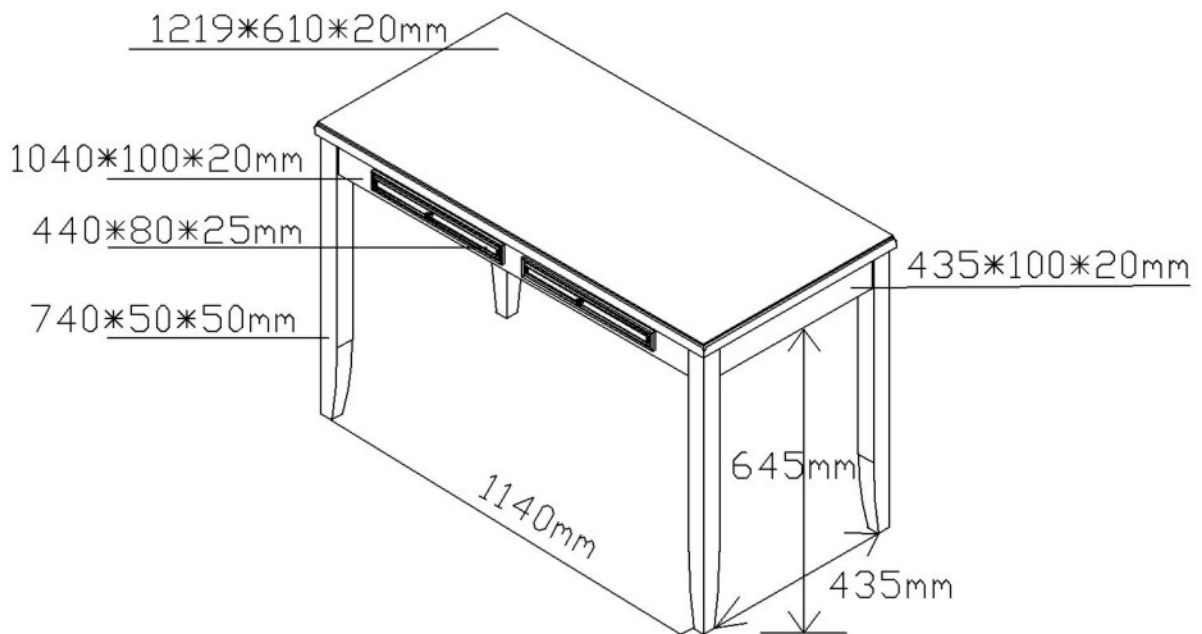
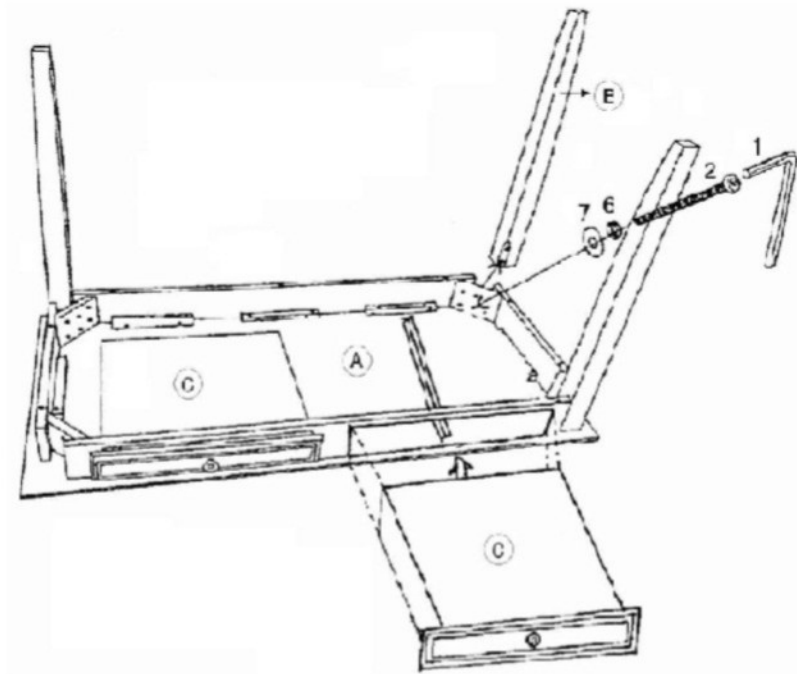
A	TOP	 1PC	E	SEAT	 1PC
B	DESK LEGS	 4PCS	F	CHAIR LEGS	 2PCS
C	DRAWER	 2PCS	G	CUSHION	 1PCS
D	CHAIR BACK	 1PCS			

**HARDWARE IDENTIFICATION**

NO	DESCRIPTION	FIGURE	Q`TY
1		WRENCH 5MM	1PCS
2		BOLT 5/16" DAL×2-1/8"	8PCS
3		BOLT 5/16" DAL×3"	4PCS
4		BOLT 5/16" DAL×2-1/4"	4PCS
5		BOLT 5/16" DAL×1-1/2"	1PCS
6		LOCK 5/16"DAL	17PCS
7		WRSHER 5/16" DAL	17PCS
8		SCREW Φ4mm×5/8"	4PCS

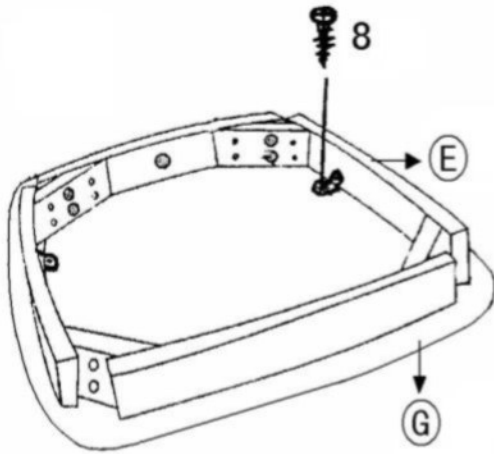
# ITEM : 800778

1.) Step 1:

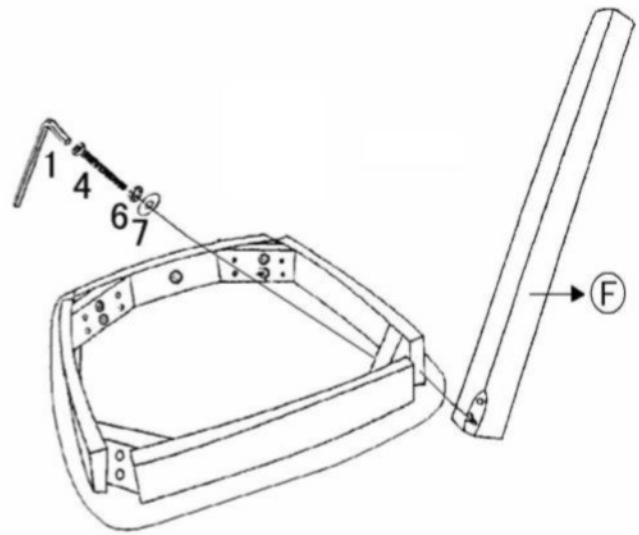


# ITEM :800778

Step 1:



Step 2:



Step 3:

