



ASSEMBLY INSTRUCTIONS COASTER FINE FURNITURE



Fine Furniture for every stage of life

600229 DELUXE RECLINER

REVISION 0 : 03/23/2015
REVISION 1 : 09/21/2015
REVISION 2 : 02/25/2019
REVISION 3 : 10/24/2019
REVISION 4 : 06/08/2020

ITEM: **600229**



ASSEMBLY INSTRUCTIONS

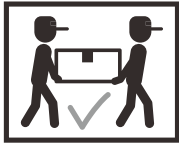
ASSEMBLY TIPS:

1. Remove hardware from box and sort by size.
2. Please check to see that all hardware and parts are present prior to start of assembly.
3. Please follow attached instructions in the same sequence as numbered to assure fast & easy assembly.



WARNING!

1. Don't attempt to repair or modify parts that are broken or defective.
Please contact the store immediately
2. This product is for home use only and not intended for commercial establishments.



ASSEMBLY TIME


30 MINUTES

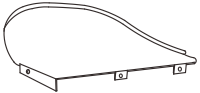
ITEM: **600229**

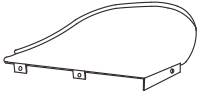


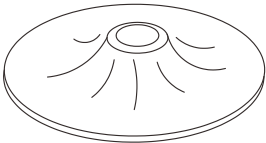
ASSEMBLY INSTRUCTIONS


PARTS IDENTIFICATION

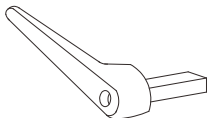
A  **1 PC**
MAIN FRAME

B-(R)  **1 PC**
RIGHT ARM

B-(L)  **1 PC**
LEFT ARM

C  **1 PC**
BASE

D  **1 PC**
SUPPORT

E  **1 PC**
HANDLE

F  **1 PC**
PLASTIC CAP

ITEM: **600229**




ASSEMBLY INSTRUCTIONS

HARDWARE PACKAGE

(1)  2 PCS
M8 x 25mm
SCREW A


(2)  6 PCS
M6 x 20mm
SCREW B

(3)  1 PC
M6 x 38mm
SCREW C

(4)  2 PCS
M8
NUT

(5)  1 PC
WASHER

(6)  1 PC
WRENCH

(7)  1 PC
M6
ALLEN DRIVER-LARGE

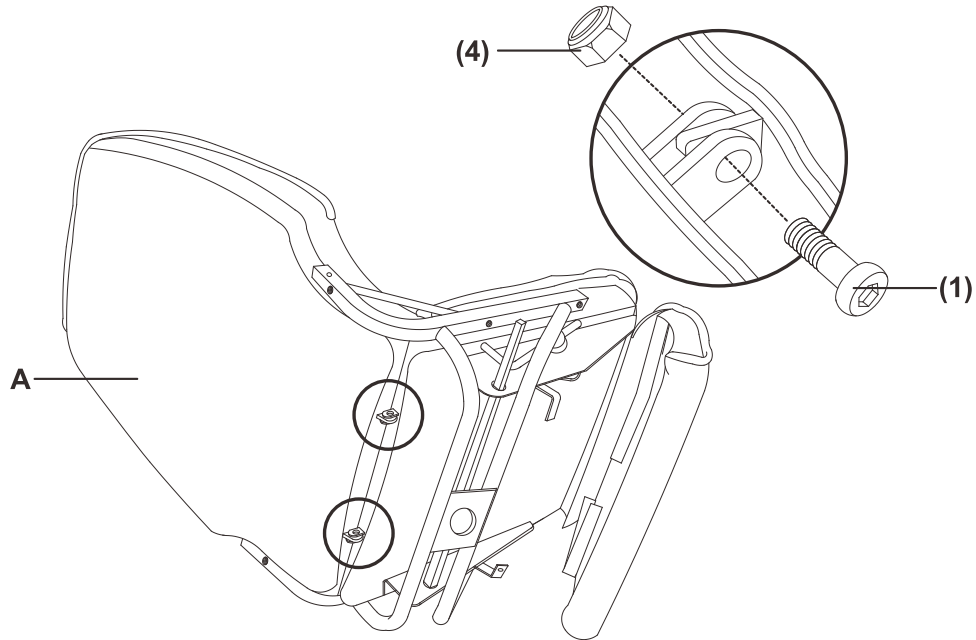
(8)  1 PC
M4
ALLEN DRIVER-SMALL

ITEM: **600229**

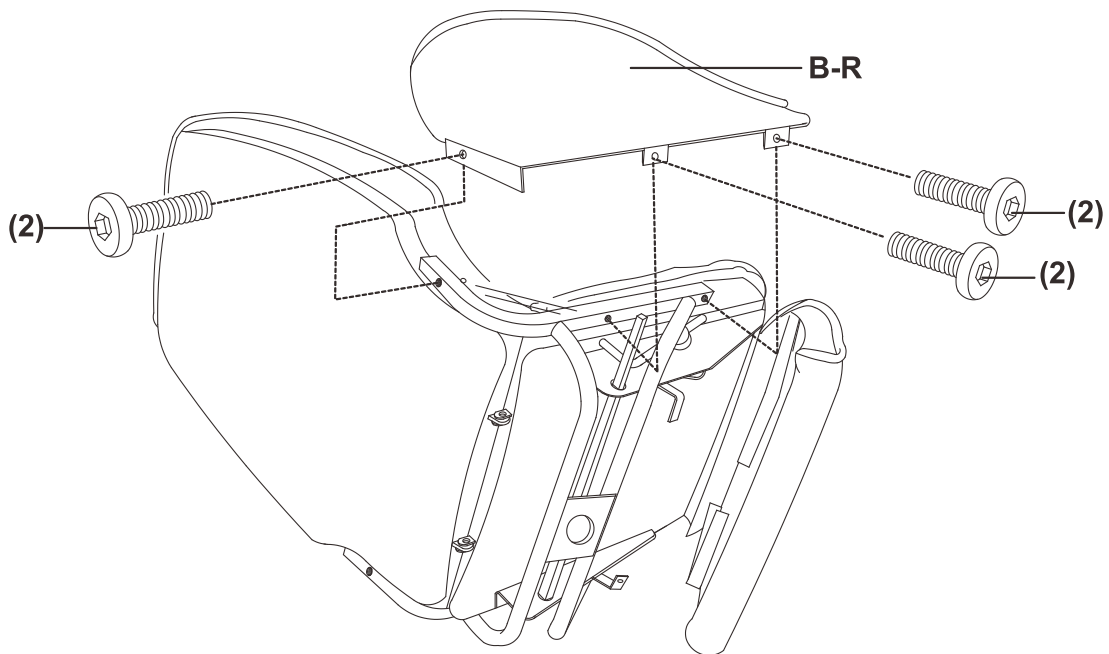
ASSEMBLY INSTRUCTIONS



STEP 1



STEP 2

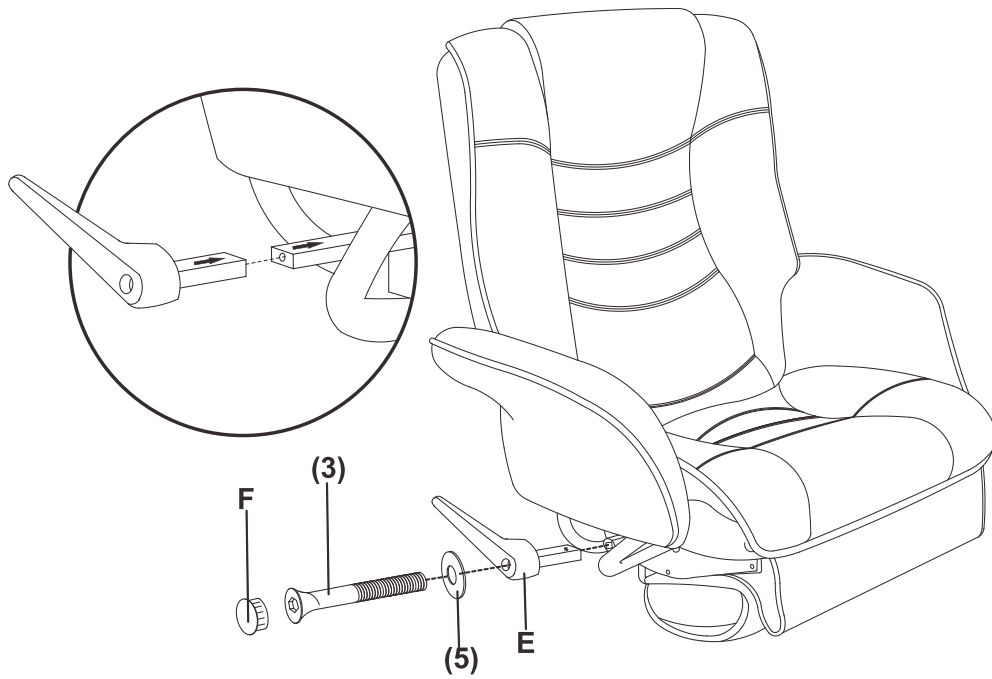


ITEM: **600229**

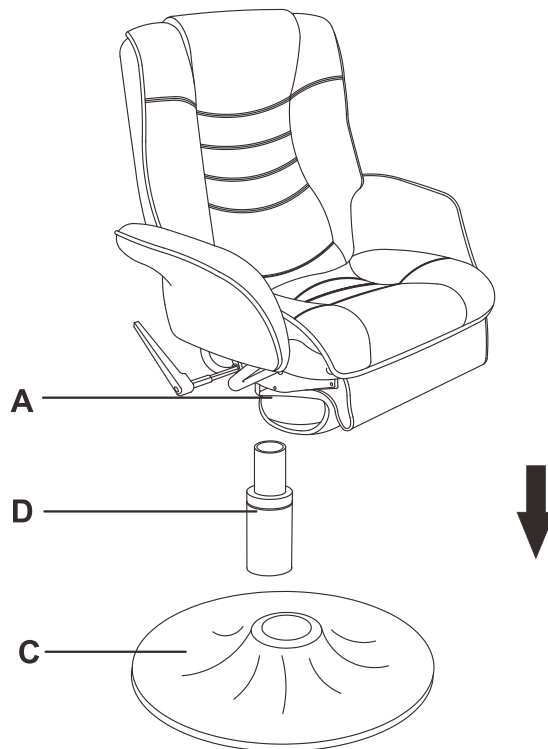


ASSEMBLY INSTRUCTIONS

STEP 3



STEP 4



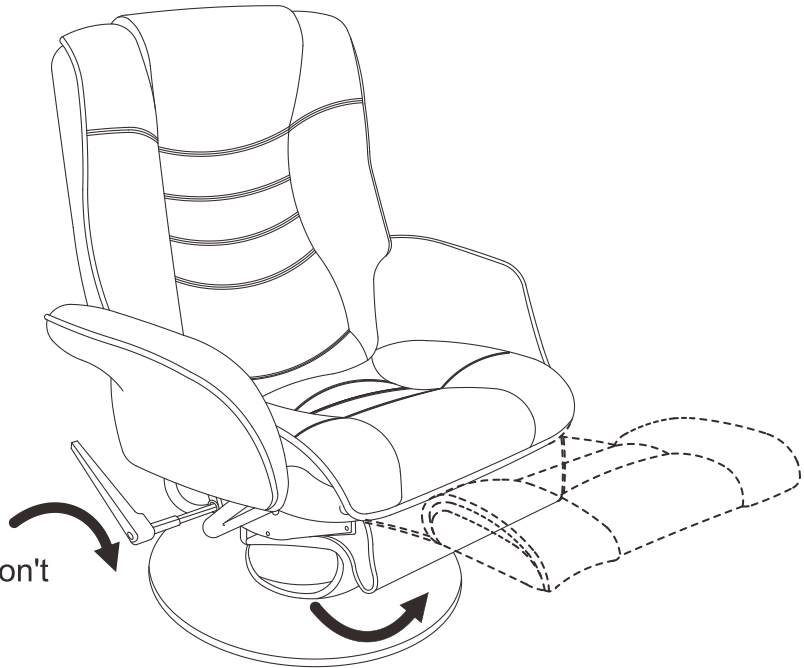
ITEM: **600229**



ASSEMBLY INSTRUCTIONS

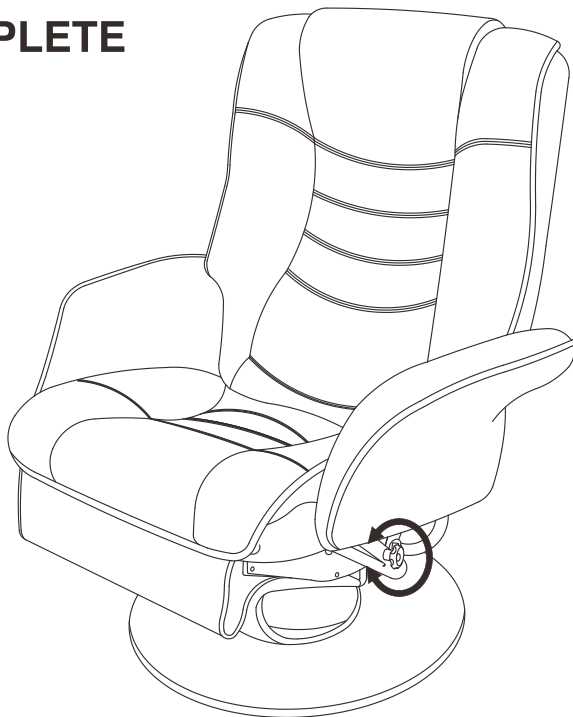
STEP 5

To open the footrest turn the handle in the direction shown. To close the footrest reverse the procedure.



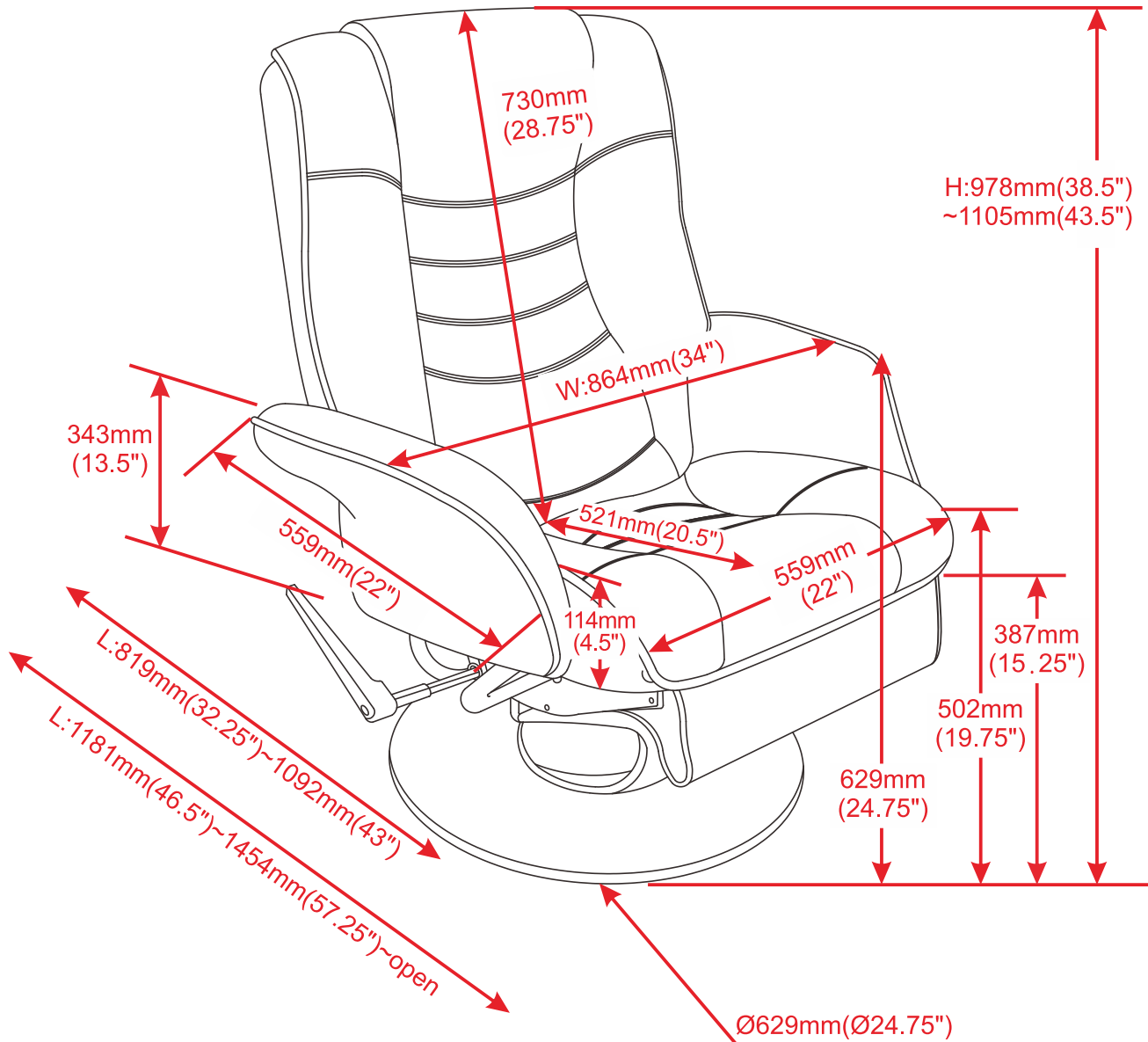
When you open your ottoman, don't put your foot on the ottoman.

STEP 6 COMPLETE



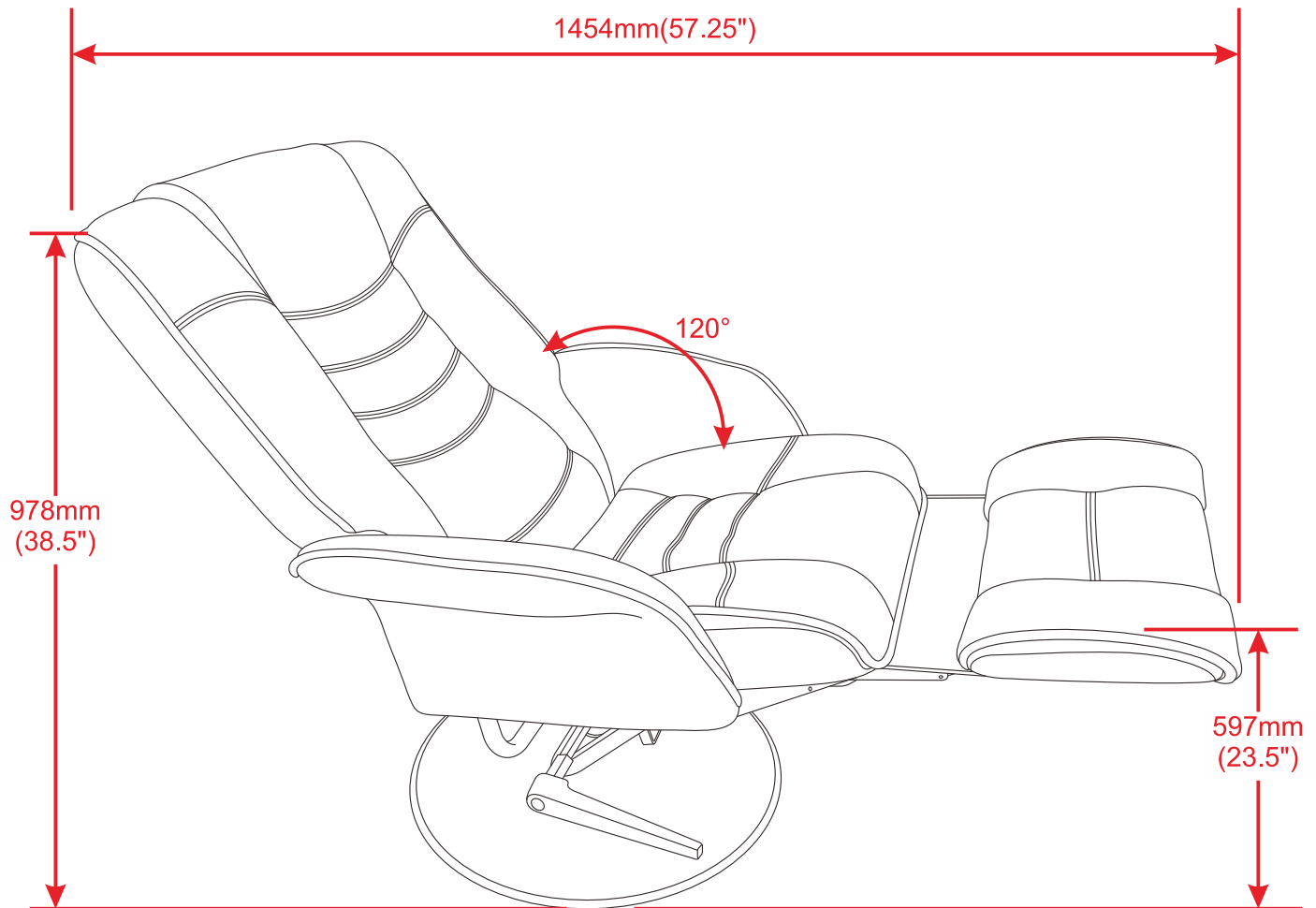
To lock the recliner in any reclining position, while sitting in the recliner, push the backrest to the desired position and turn the locking wheel on the left side.

ITEM: **600229**



Note : Dimension tolerance $\pm 5\%$

ITEM: **600229**



Note : Dimension tolerance $\pm 5\%$