

COASTER[®]
Fine Furniture

102583

BAR STOOL

ASSEMBLY INSTRUCTION
COASTER FINE FURNITURE



www.coastercompany.com

2011/08/05

Assembly Instruction

ASSEMBLY TIPS:

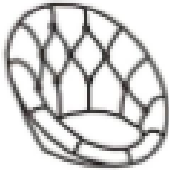
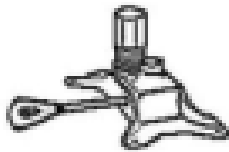

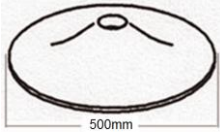
1. Remove hardware from box and sort by size.
2. Please check to see that all hardware and parts are present prior to start of assembly.
3. Please follow attached instructions in the same sequence as numbered to assure fast & easy assembly.

Warning!

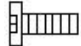

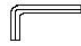
1. Don't attempt to repair or modify parts that are broken or defective. Please contact the store immediately.
2. This product is for home use only and not intended for commercial establishment.

PARTS IDENTIFICATION

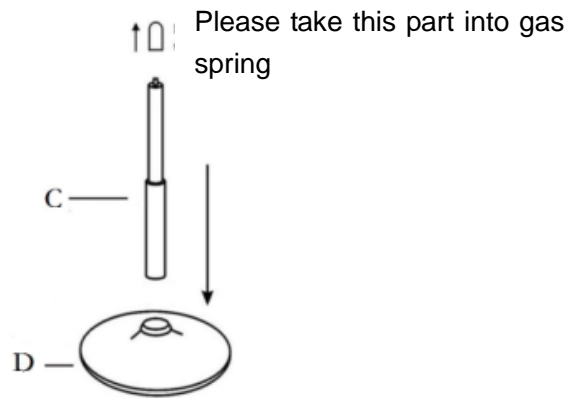


<p>A : CHAIR</p> <div style="display: flex; justify-content: space-around; align-items: center;">  <div style="text-align: right;">1PC</div> </div>	<p>B:SEA</p> <div style="display: flex; justify-content: space-around; align-items: center;">  <div style="text-align: right;">1PC</div> </div>
<p>C GAS SPRING</p> <div style="display: flex; justify-content: space-around; align-items: center;">  <div style="text-align: right;">1PC</div> </div>	<p>D: CHAIR BASE</p> <div style="display: flex; justify-content: space-around; align-items: center;">  <div style="text-align: right;">1PC</div> </div>

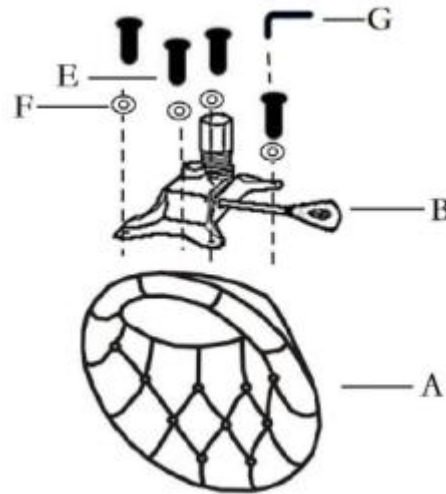
Z HARDWARE PACKAGE

NO	DESCRIPTION	FIGURE	Q'TY
1	BOLTS 3/16"x16mm		4PCS
2	WASHER 18x1.5 mm		4PCS
3	ALLEN WRENCH M6		1PC

STEP 1

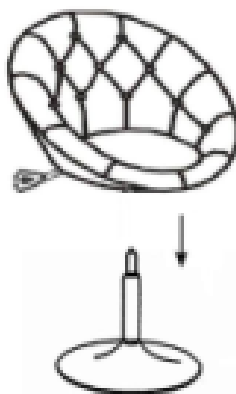


STEP 2



STEP 3

Please take this part into gas spring



STEP 4

