



ASSEMBLY INSTRUCTIONS COASTER FINE FURNITURE



Fine Furniture for every stage of life

701558
3PC TABLE SET

ITEM:701558



ASSEMBLY INSTRUCTIONS

ASSEMBLY TIPS:

1. Remove hardware from box and sort by size.
2. Please check to see that all hardware and parts are present prior to start of assembly.
3. Please follow attached instructions in the same sequence as numbered to assure fast & easy assembly.



WARNING!






1. Don't attempt to repair or modify parts that are broken or defective. Please contact the store immediately.
2. This product is for home use only and not intended for commercial establishments.





ASSEMBLY TIME

25 MINUTES

PARTS IDENTIFICATION

A	COFFEE TABLE GLASS TOP		1PC
B	COFFEE TABLE GLASS SHELF		1PC
C	COFFEE TABLE WOODEN LEG		4PCS
D	END TABLE GLASS TOP		2PCS
E	END TABLE WOODEN LEG		6PCS

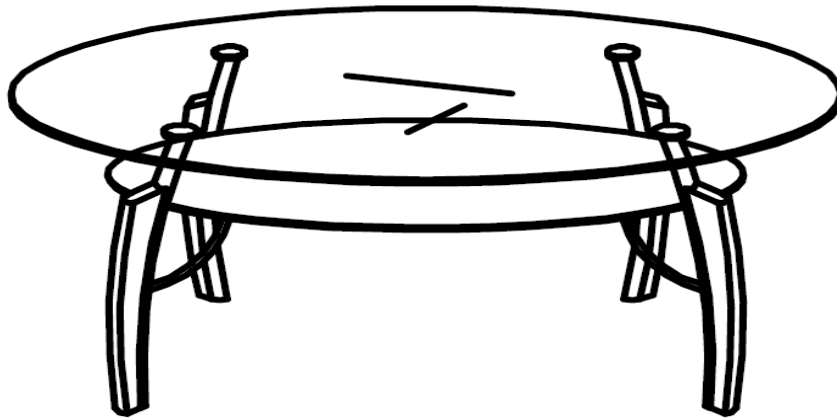
HARDWARE IDENTIFICATION

1	ALLEN WRENCH (4mm)		1PC
2	TAPERED BOLT (1/4*9m/m)		30PCS

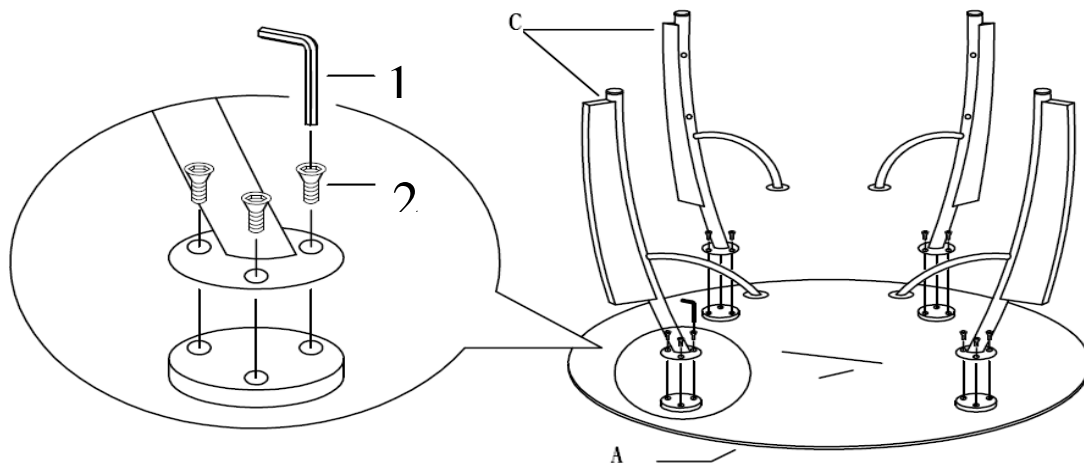
ITEM: **701558**



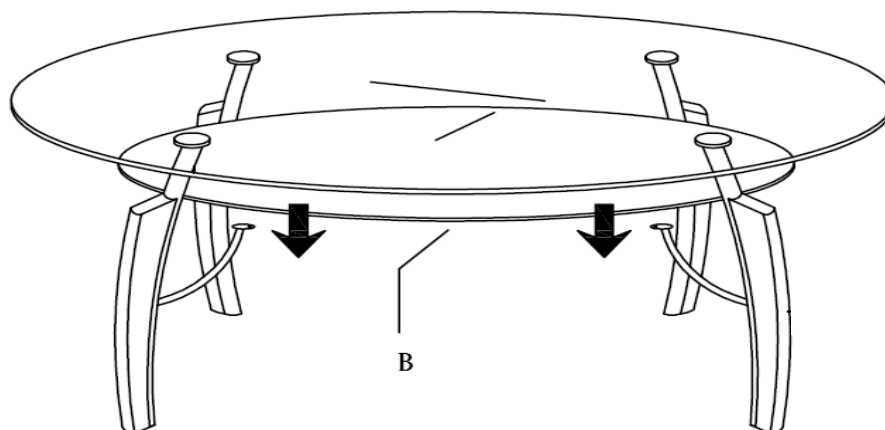
ASSEMBLY INSTRUCTIONS
COFFEE TABLE



STEP 1



STEP 2
COMPLETE



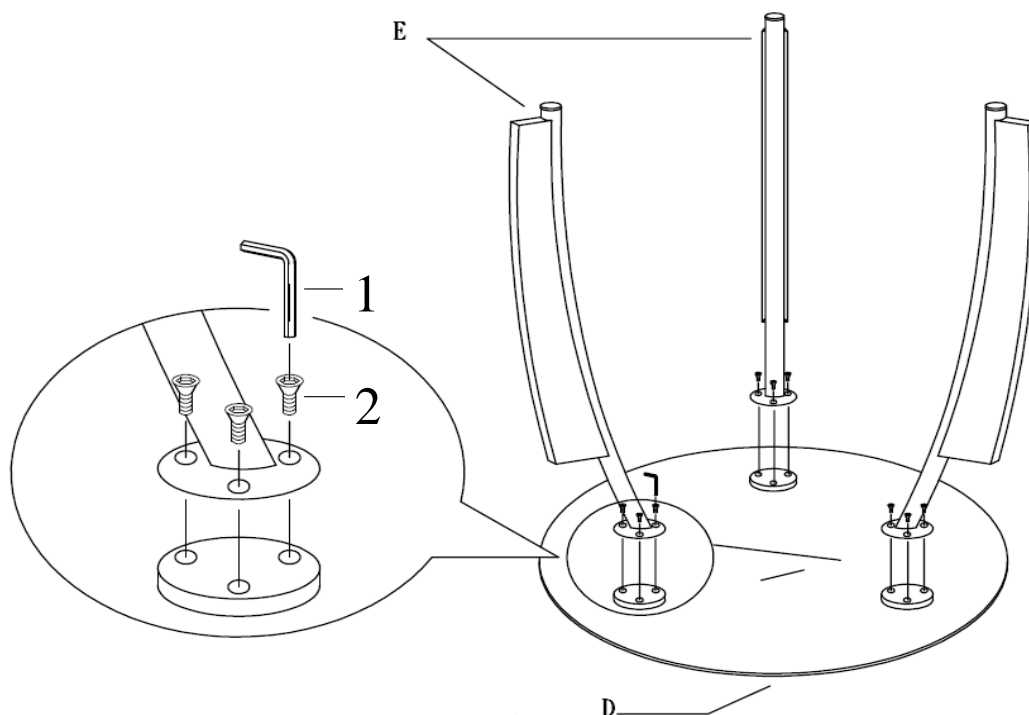
ITEM: **701558**



ASSEMBLY INSTRUCTIONS
END TABLE



STEP 1
COMPLETE



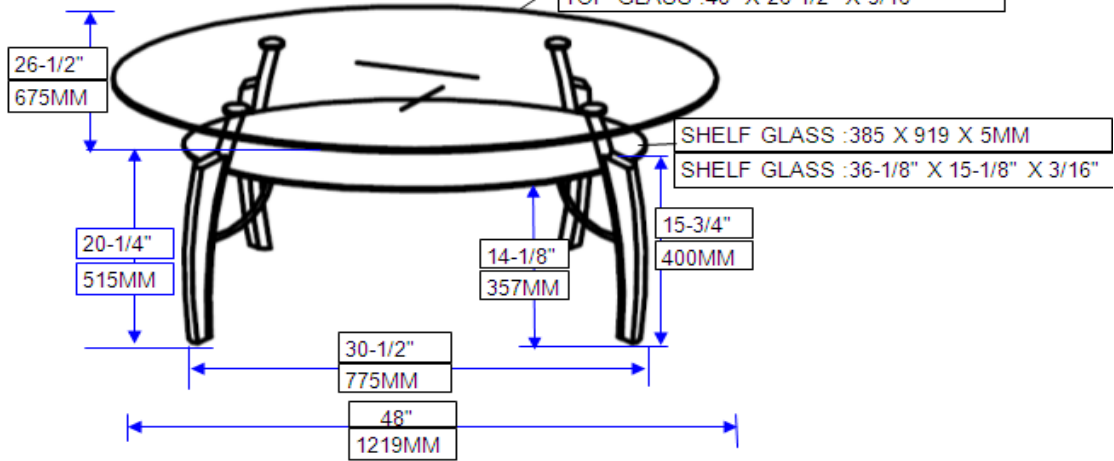
ITEM:701558



COFFEE TABLE

Product Size : 1219L X 675W X 515H(MM)
Product Size : 48" L X 26-1/2" W X 20-1/4" H

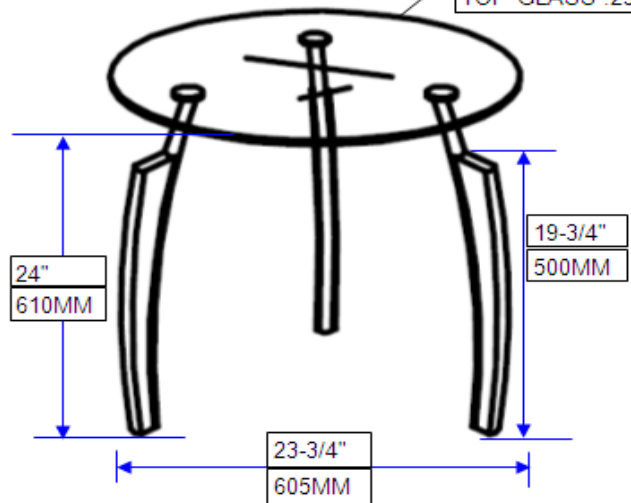
TOP GLASS : 1219 X 675 X 8MM
TOP GLASS : 48" X 26-1/2" X 5/16"



END TABLE

Product Size : 605L X 605W X 610H(MM)
Product Size : 23-3/4" L X 23-3/4" W X 24" H

TOP GLASS : 605 X 605 X 8MM
TOP GLASS : 23-3/4" X 23-3/4" X 5/16"



Note : Dimension tolerance $\pm 5\%$