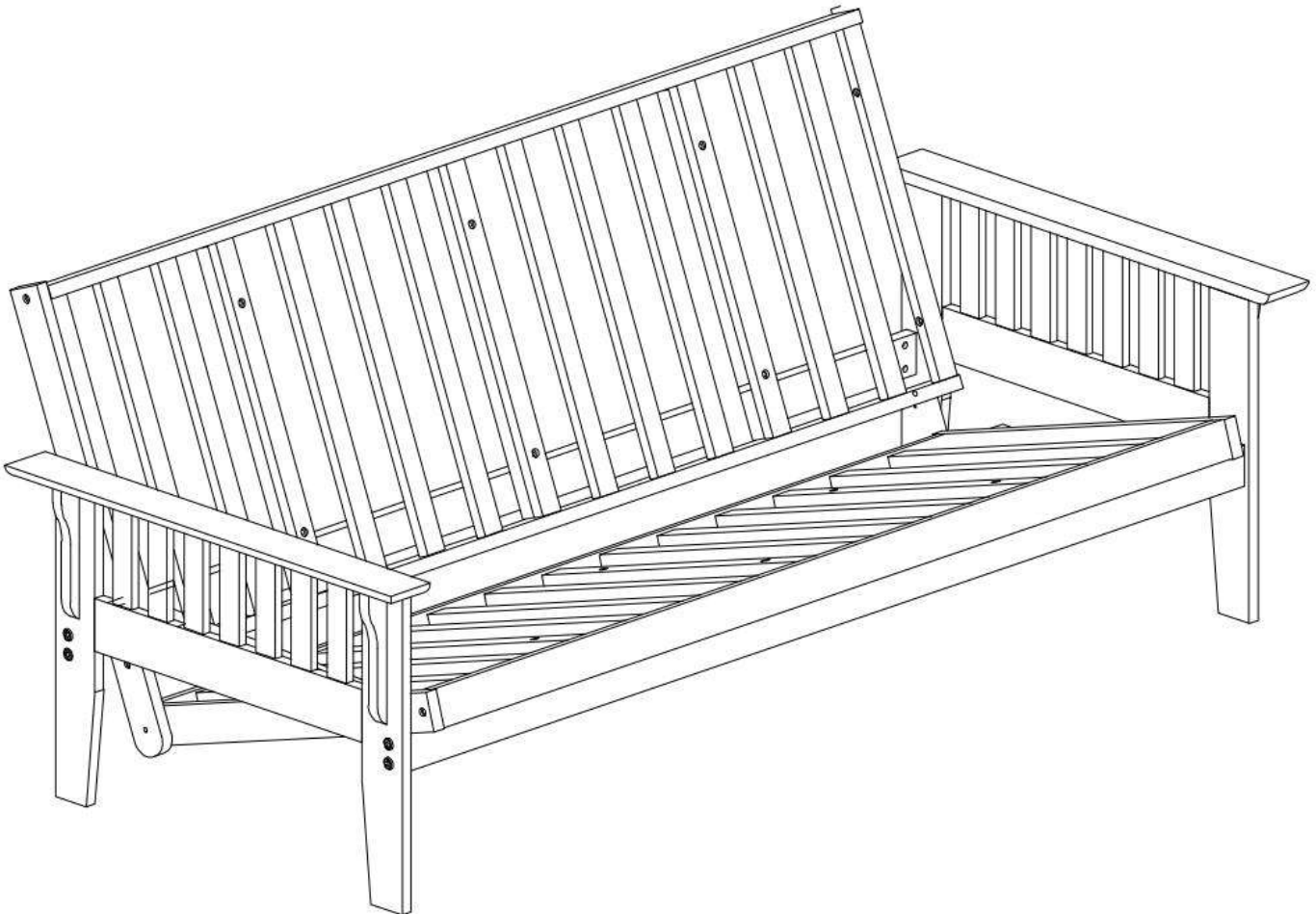


**ASSEMBLY INSTRUCTIONS**  
**COASTER FINE FURNITURE**



*Fine Furniture for every stage of life*

**4382 (B1&B2)**  
***Futon***

# ITEM: 4382 (B1&B2)

## ASSEMBLY INSTRUCTIONS

### ASSEMBLY TIPS:

1. Remove hardware from box and sort by size.
2. Please check to see that all hardware and parts are present prior to start of assembly.
3. Please follow attached instructions in the same sequence as numbered to assure fast & easy assembly.



### WARNING!

1. Don't attempt to repair or modify parts that are broken or defective. Please contact the store immediately.
2. This product is for home use only and not intended for commercial establishments.



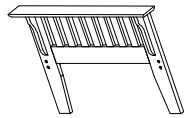
ASSEMBLY TIME

20 MINUTES

## PARTS IDENTIFICATION

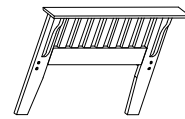
### B1 ( BOX 1)

AN LEFT FUTON  
ARM



1PC

BN RIGHT FUTON  
ARM



1PC

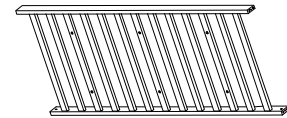
### B2 ( BOX 2)

CN STRETCHER



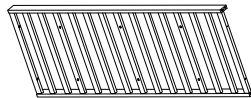
2PCS

HN SEAT FRAME



1PC

DN BACK FRAME



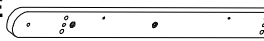
1PC

IN LEFT SEAT FRAME  
SIDE RAIL



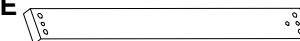
1PC

EN LEFT BACK FRAME  
SIDE RAIL



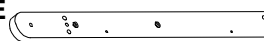
1PC

JN RIGHT SEAT FRAME  
SIDE RAIL



1PC

FN RIGHT BACK FRAME  
SIDE RAIL



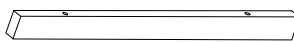
1PC

KN LONG SLAT  
SUPPORT



3PCS

GN SHORT SLAT  
SUPPORT



3PCS

# ITEM: 4382 (B1&B2)

## ASSEMBLY INSTRUCTIONS

### ASSEMBLY TIPS:

1. Remove hardware from box and sort by size.
2. Please check to see that all hardware and parts are present prior to start of assembly.
3. Please follow attached instructions in the same sequence as numbered to assure fast & easy assembly.


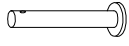


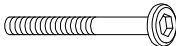

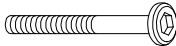



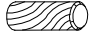


### WARNING!

1. Don't attempt to repair or modify parts that are broken or defective. Please contact the store immediately.
2. This product is for home use only and not intended for commercial establishments.

## HARDWARE IDENTIFICATION

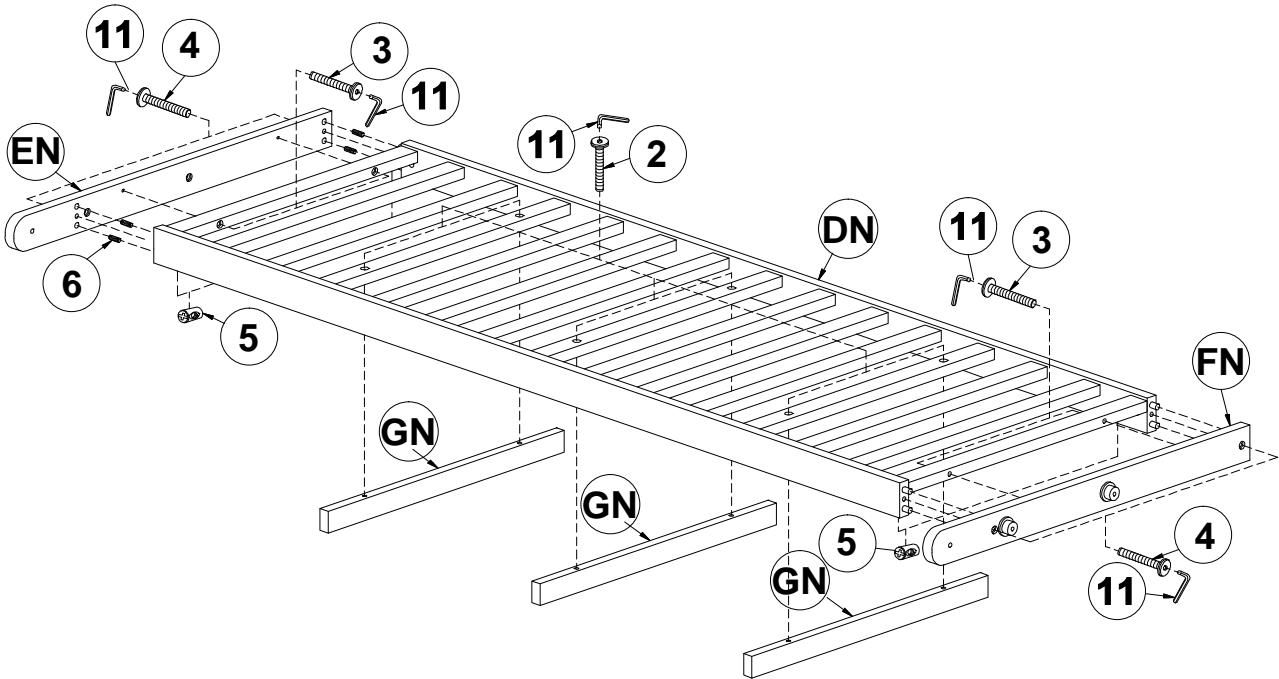
### Z-B1 (BOX 1) - HARDWARE PACK IS LOCATED IN 4382 (B1)

1	<b>BOLT 1</b> (Ø1/2" x 17mm - RBW)		4PCS	7	<b>COTTER PIN</b> (Ø1/2" x 57mm - RBW)		2PCS
2	<b>BOLT 2</b> (Ø1/2" x 33mm - RBW)		12PCS	8	<b>FLAT WASHER</b> (Ø25mm x 2mm - WHT)		4PCS
3	<b>BOLT 3</b> (Ø1/2" x 47mm - RBW)		4PCS	9	<b>COTTER CLIP</b> (28mm x 8mm x 1.5mm - RBW)		2PCS
4	<b>BOLT 4</b> (Ø1/2" x 57mm - RBW)		16PCS	10	<b>IRON BOWL</b> (42mm x 35mm x 32mm - RBW)		4PCS
5	<b>BARREL NUT</b> (Ø9mm x 13mm - RBW)		16PCS	11	<b>ALLEN WRENCH</b> (4mm - RBW)		1PC
6	<b>WOOD DOWEL</b> (Ø10mm x 30mm)		20PCS				

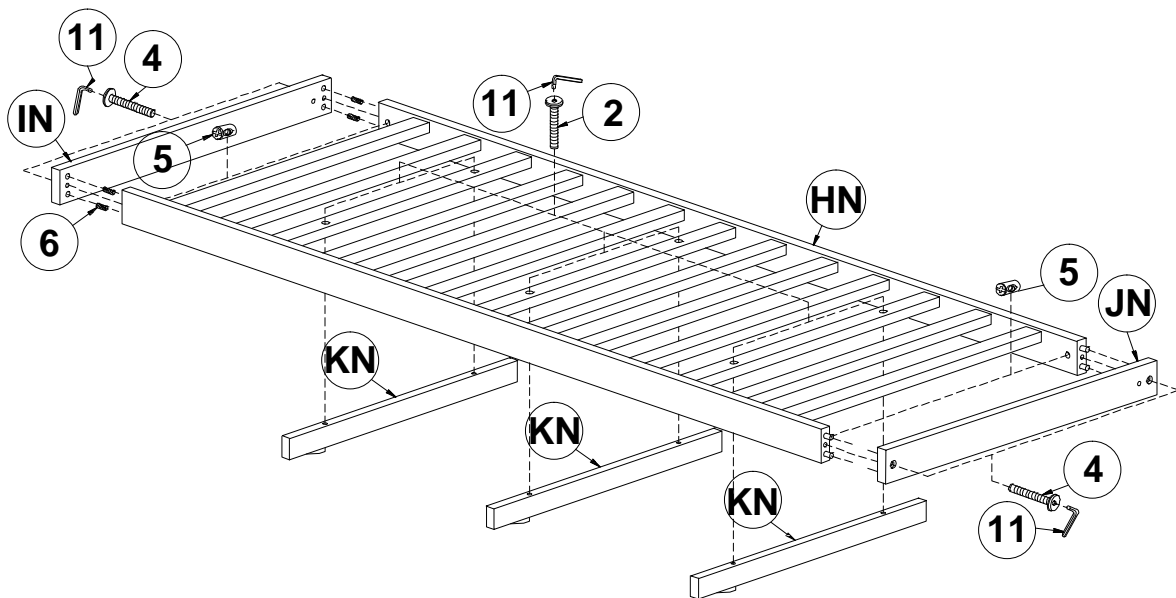
# ITEM: 4382 (B1&B2)

## ASSEMBLY INSTRUCTIONS

### STEP 1

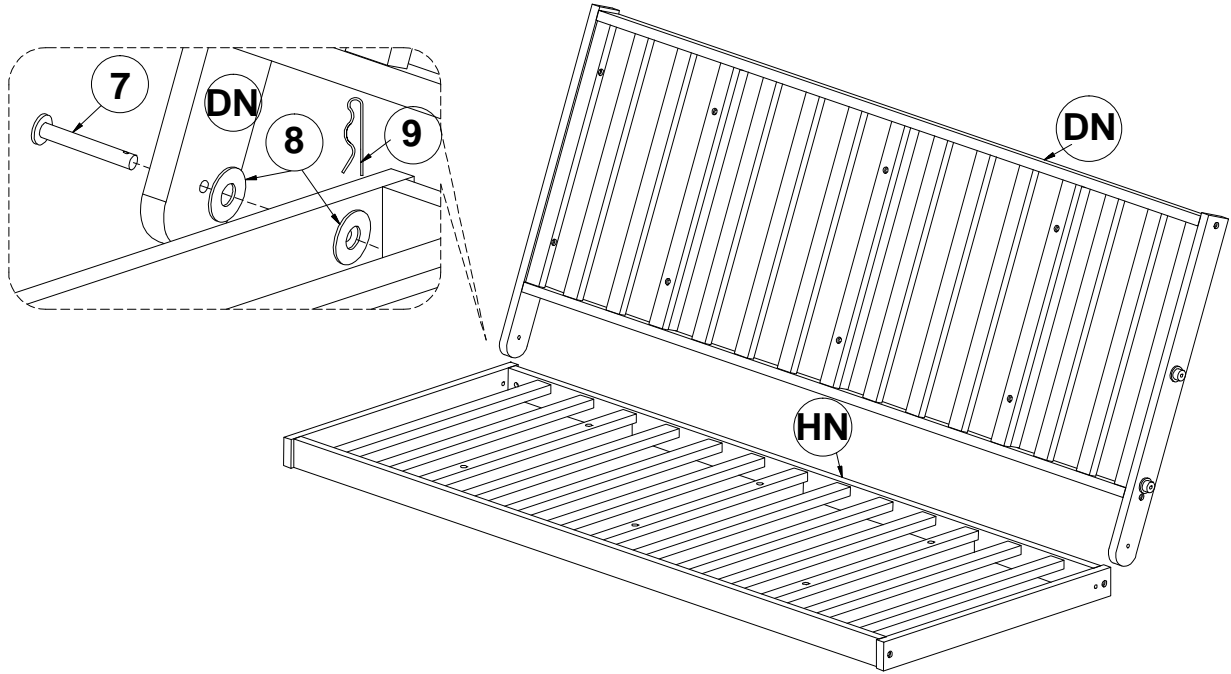


### STEP 2

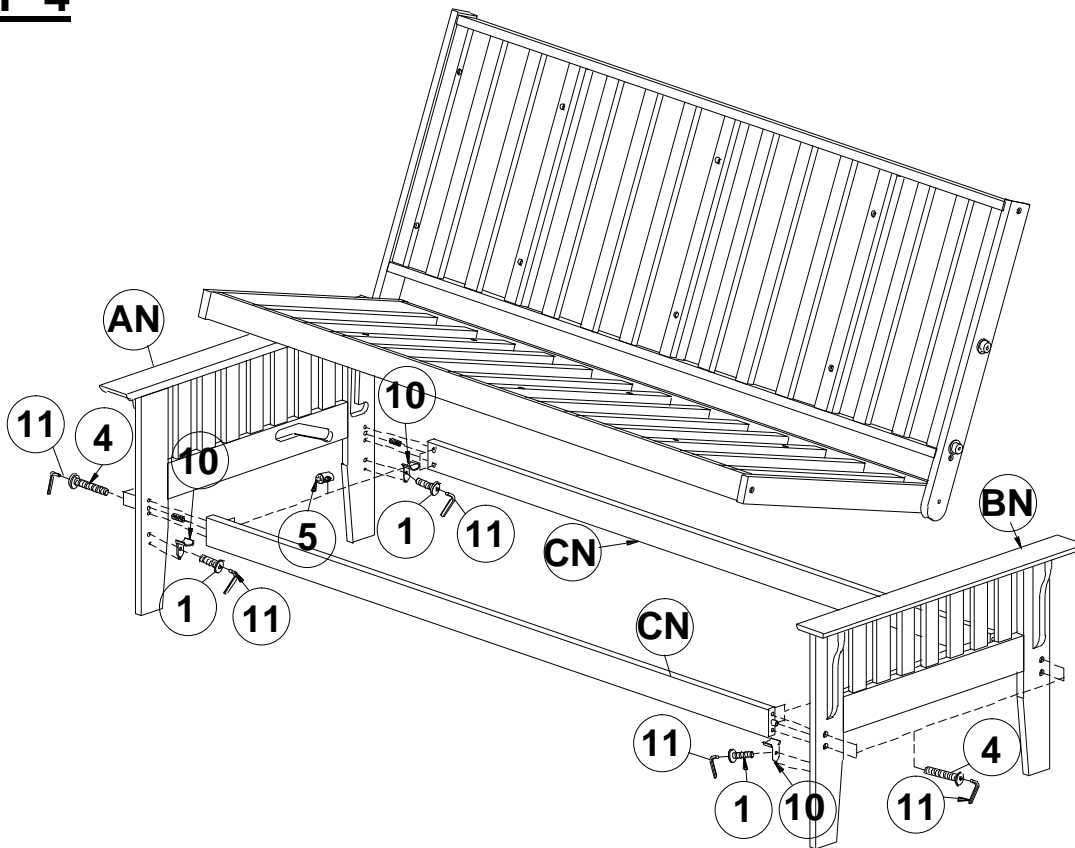


# ITEM: 4382 (B1&B2)

## ASSEMBLY INSTRUCTIONS STEP 3



## STEP 4



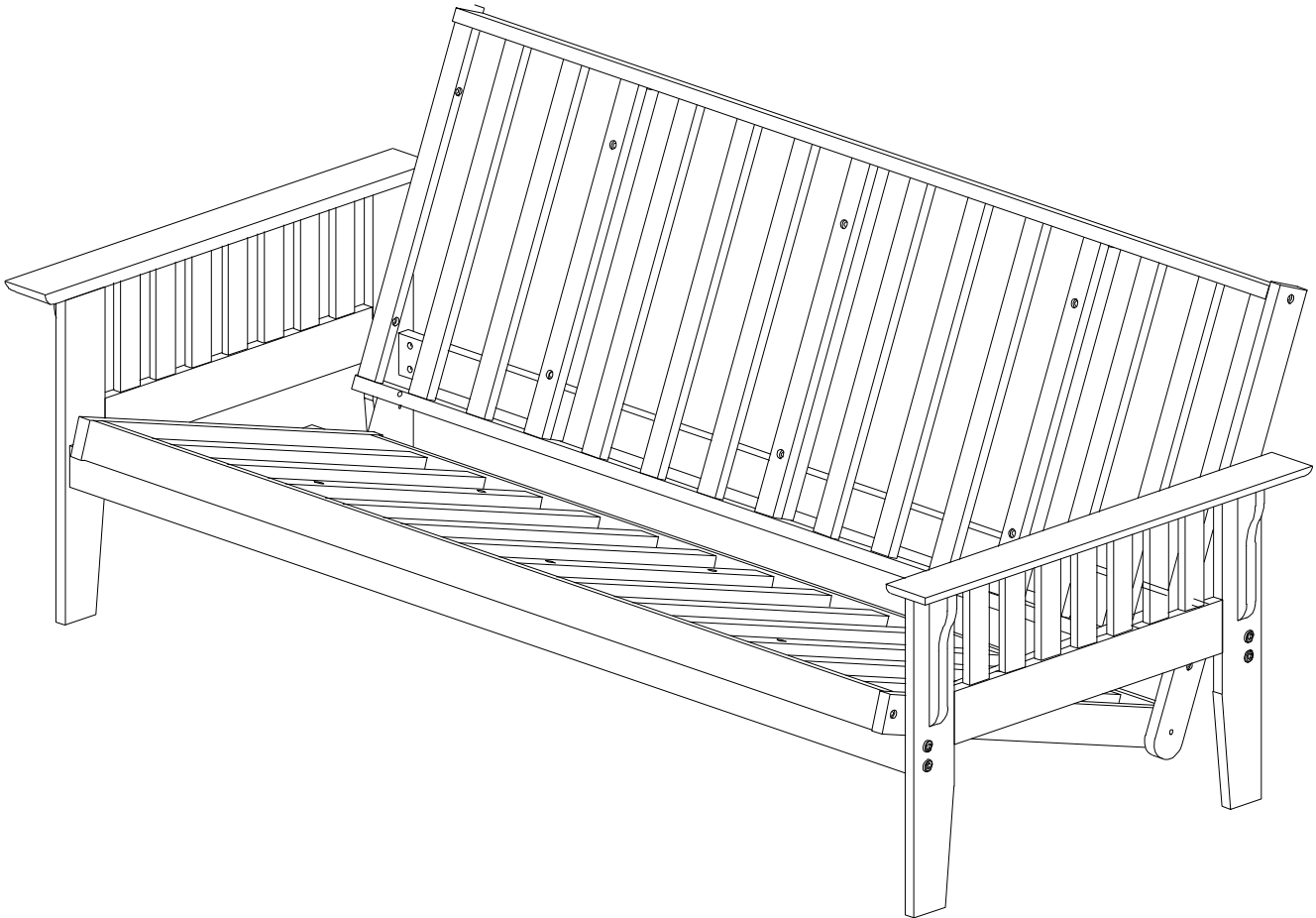
ITEM: **4382 (B1&B2)**



**ASSEMBLY INSTRUCTIONS**

**STEP 5**

**COMPLETE**

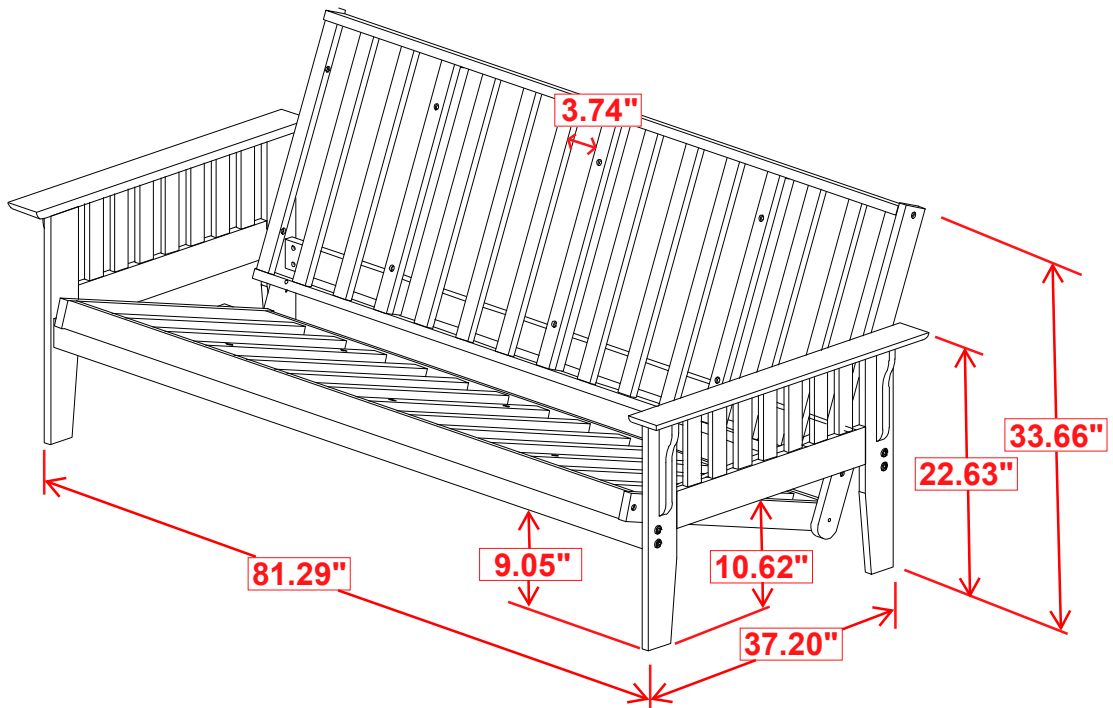


ITEM: **4382 (B1&B2)**



**INNER SIZE: 72"L X 52"W (OPEN)**

**INNER SIZE: 72"L X 24.92"W (SEAT), 72"L X 27.12"W (BACK)**



**Note:** Dimension tolerance  $\pm 5\%$