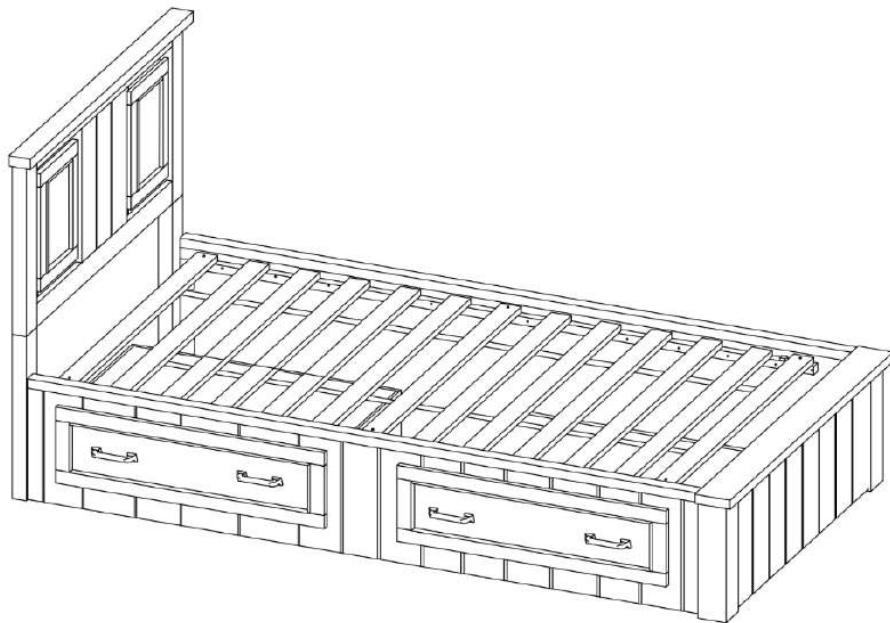


ASSEMBLY INSTRUCTIONS
COASTER FINE FURNITURE



Fine Furniture for every stage of life

400936T
Twin Headboard

ITEM: 400936T



ASSEMBLY INSTRUCTIONS

ASSEMBLY TIPS:

1. Remove hardware from box and sort by size.
2. Please check to see that all hardware and parts are present prior to start of assembly.
3. Please follow attached instructions in the same sequence as numbered to assure fast & easy assembly.



WARNING!

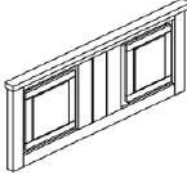



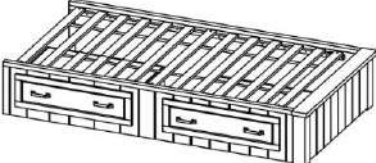
1. Don't attempt to repair or modify parts that are broken or defective. Please contact the store immediately.
2. This product is for home use only and not intended for commercial establishments.



ASSEMBLY TIME

30 MINUTES

PARTS IDENTIFICATION

A	HEADBOARD		1PC
B	LEFT HEADBOARD LEG		1PC
C	RIGHT HEADBOARD LEG		1PC
D	BOTTOM RAIL		1PC
TBD	400936T (B1-B3) FROM 400936T (BOX1 TO BOX3) TWIN STORAGE BED		1SET

NOTE:

Phillips head screw driver is required in the assembly process; however, manufacturer does not provide this item.

ITEM: **400936T**



ASSEMBLY INSTRUCTIONS

ASSEMBLY TIPS:




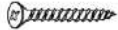


1. Remove hardware from box and sort by size.
2. Please check to see that all hardware and parts are present prior to start of assembly.
3. Please follow attached instructions in the same sequence as numbered to assure fast & easy assembly.



WARNING!

1. Don't attempt to repair or modify parts that are broken or defective. Please contact the store immediately.
2. This product is for home use only and not intended for commercial establishments.

HARDWARE IDENTIFICATION

1	BOLT (Ø1/4" x 25mm - RBW)		8PCS
2	FLAT WASHER (Ø1/4" x 22D x 2mm - RBW)		8PCS
3	LOCK WASHER (Ø1/4" x 10D x 1.1mm - RBW)		8PCS
4	FLAT HEAD SCREW (Ø8 x 38mm - RBW)		2PCS
5	BRACKET (230 x 50 x 14 x 4mm - RBW)		2PCS
6	ALLEN WRENCH (4mm - RBW)		1PC

NOTE:

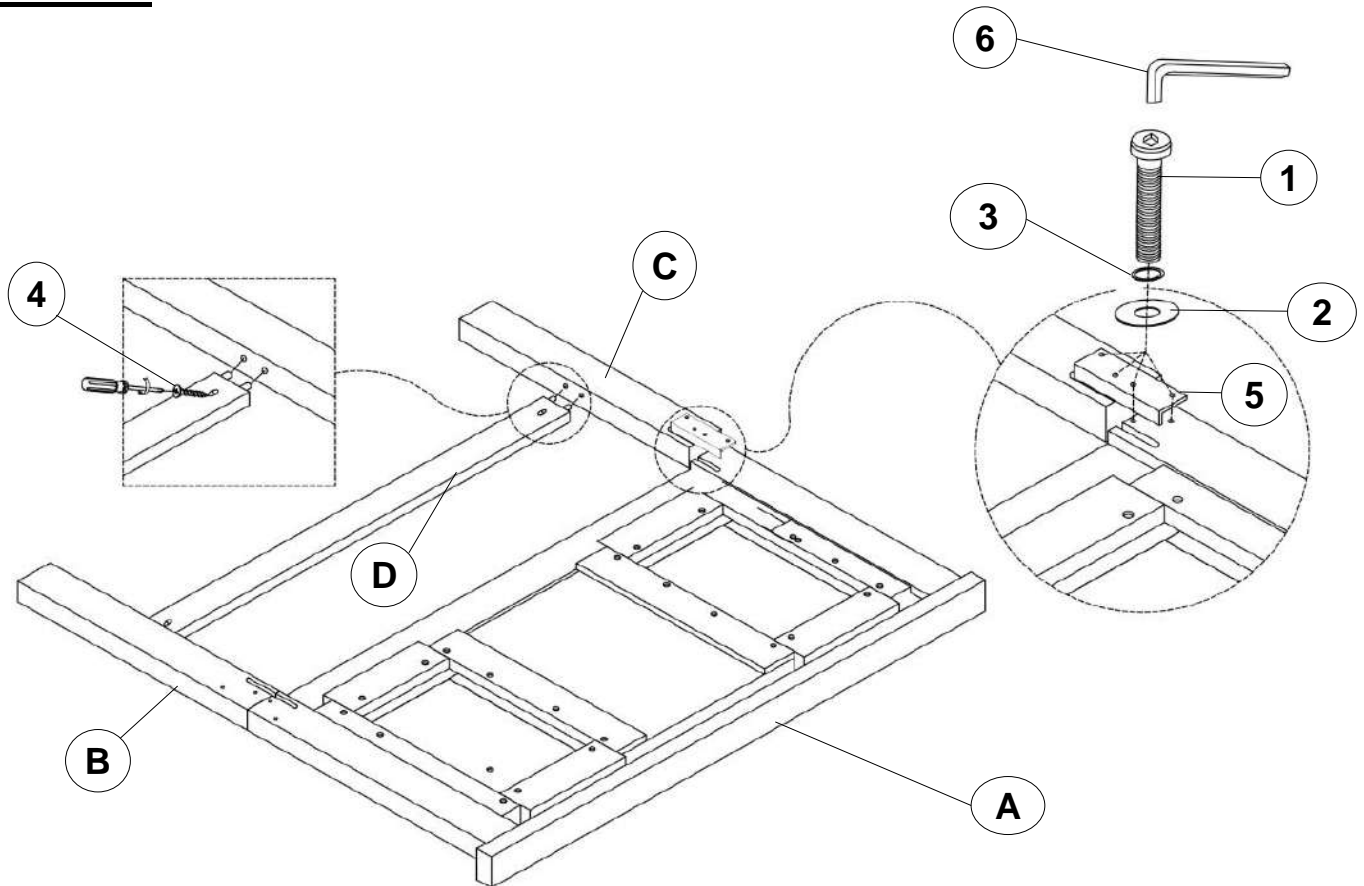
Phillips head screw driver is required in the assembly process; however, manufacturer does not provide this item.

ITEM: **400936T**

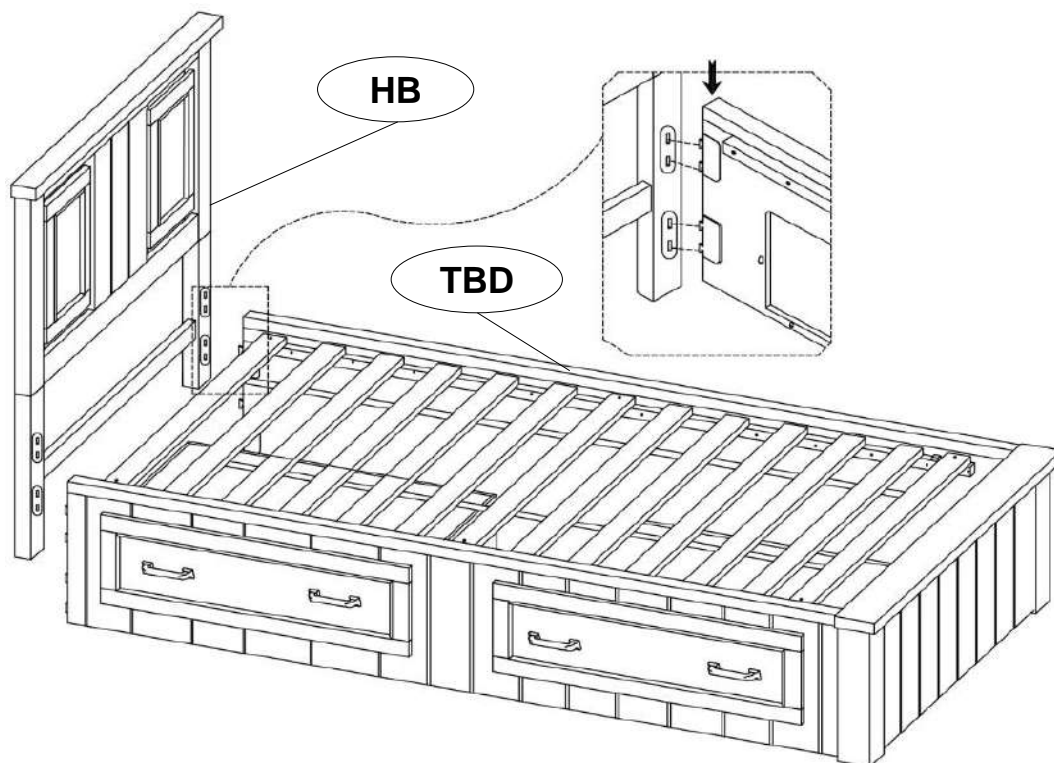


ASSEMBLY INSTRUCTIONS

STEP 1



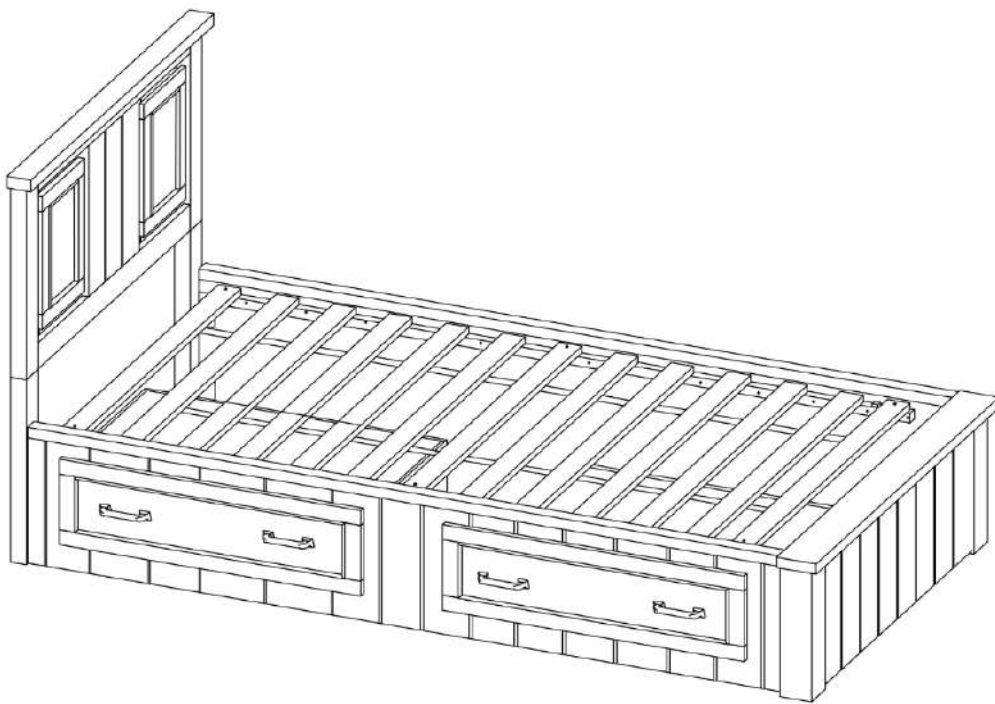
STEP 2



ITEM: **400936T**



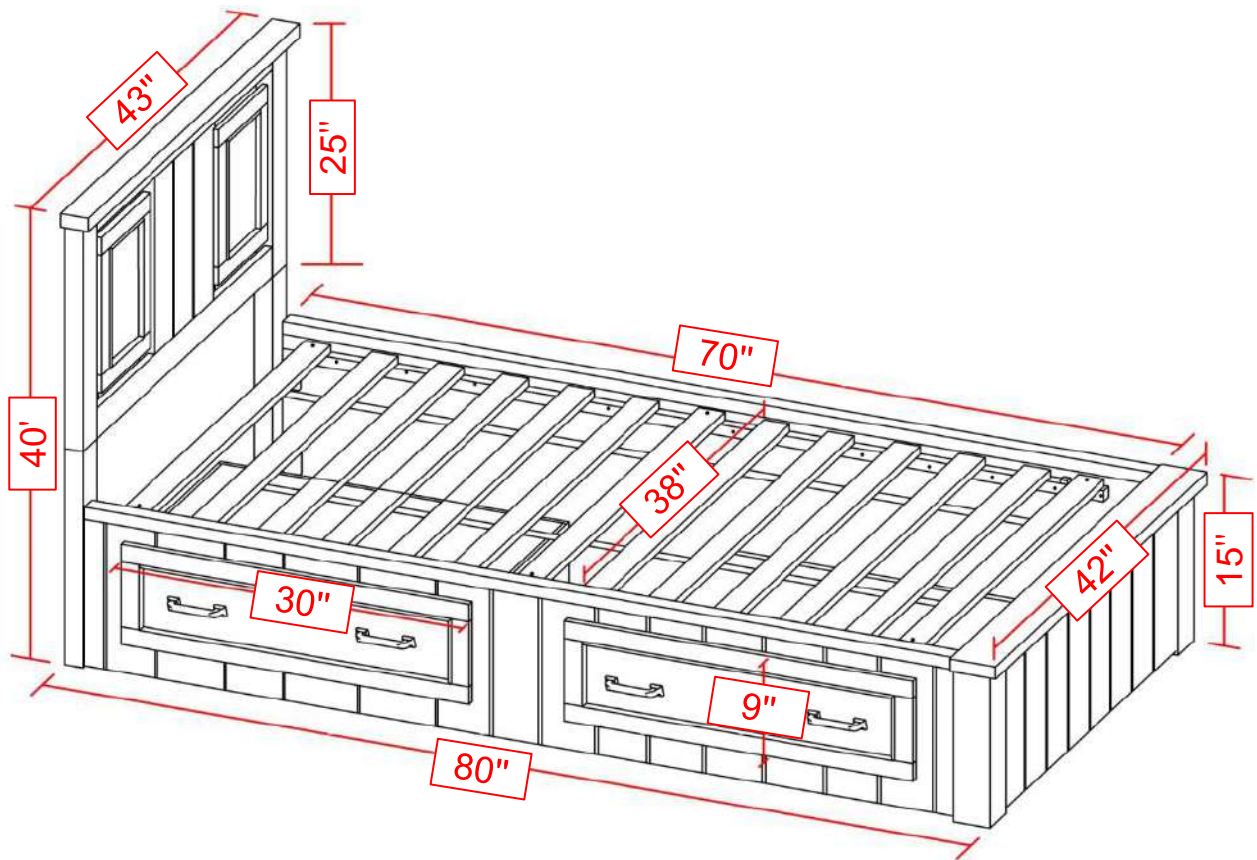
STEP 3
COMPLETE



ITEM: **400936T**



INNER SIZE OF DRAWER : 17" x 23" x 6"
INNER SIZE OF BED : 74" x 54"



Note : Dimension tolerance $\pm 5\%$