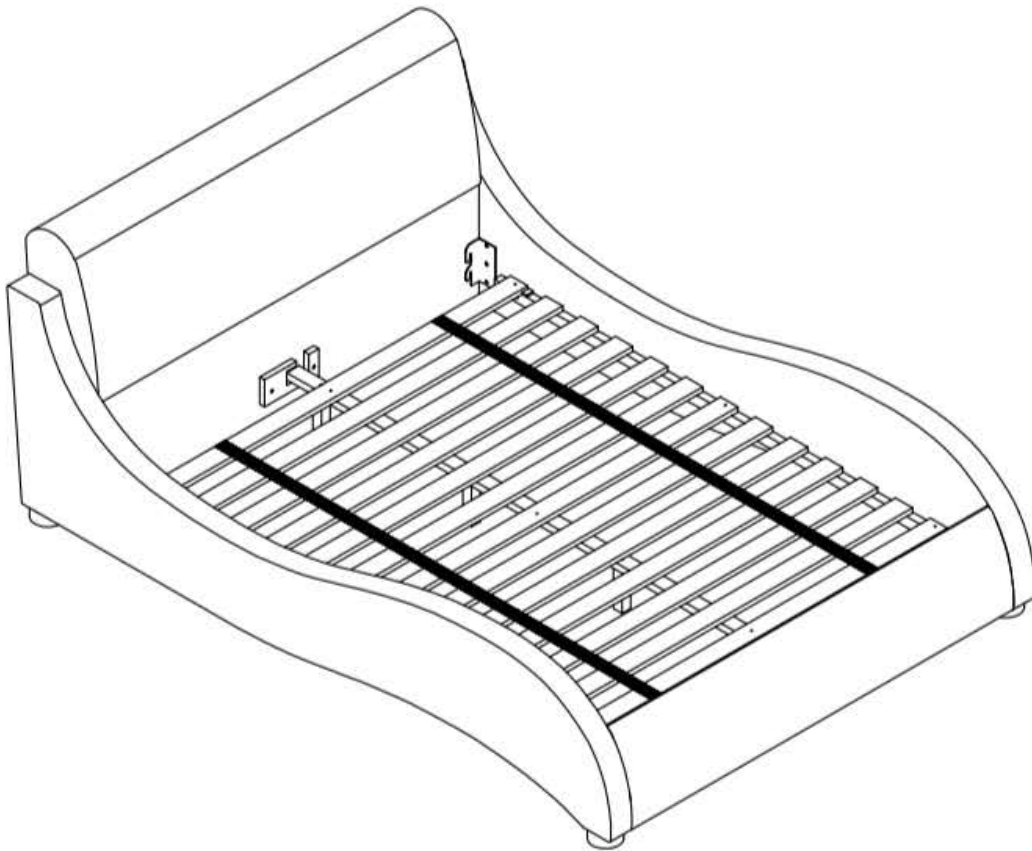


ASSEMBLY INSTRUCTIONS
COASTER FINE FURNITURE



Fine Furniture for every stage of life

300170Q(B1-B3)

Queen Bed

ITEM:300170Q(B1-B3)

ASSEMBLY INSTRUCTIONS

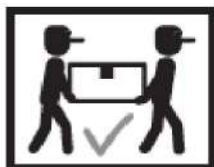
ASSEMBLY TIPS:

1. Remove hardware from box and sort by size.
2. Please check to see that all hardware and parts are present prior to start of assembly.
3. Please follow attached instructions in the same sequence as numbered to assure fast & easy assembly.

WARNING!



1. Don't attempt to repair or modify parts that are broken or defective. Please contact the store immediately.
2. This product is for home use only and not intended for commercial establishments.



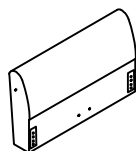
ASSEMBLY TIME

30 MINUTES

PARTS IDENTIFICATION

B1(BOX1)

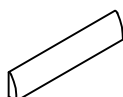
AV HEADBOARD PANEL



1PC

B2(BOX2)

CV FOOTBOARD PANEL



1PC

EV ROLL SLAT
(13PCS)



1SET

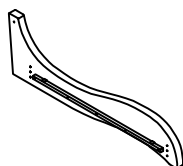
B3(BOX3)

FV LEG



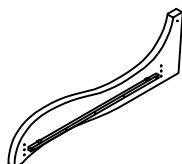
4PCS

HV LEFT BED RAIL



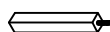
1PC

IV RIGHT BED RAIL



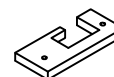
1PC

JV CENTER RAIL SUPPORT
WITH LEVELER



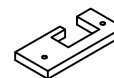
3PCS

BV CENTER RAIL SUPPORT



1PC

DV CENTER RAIL SUPPORT



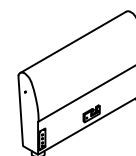
1PC

GV CENTER RAIL



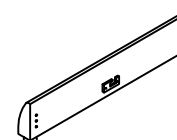
1PC

300170Q(B1)&(B3)
HBV FROM BOX1 & 3
HEADBOARD
COMPLETE



1PC

300170Q(B2)&(B3)
FBV FROM BOX2 & 3
FOOTBOARD
COMPLETE



1PC

ITEM: 300170Q(B1-B3)

ASSEMBLY INSTRUCTIONS

ASSEMBLY TIPS:

1. Remove hardware from box and sort by size.
2. Please check to see that all hardware and parts are present prior to start of assembly.
3. Please follow attached instructions in the same sequence as numbered to assure fast & easy assembly.



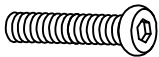



WARNING!





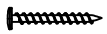
1. Don't attempt to repair or modify parts that are broken or defective. Please contact the store immediately.
2. This product is for home use only and not intended for commercial establishments.

HARDWARE IDENTIFICATION

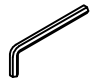

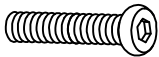

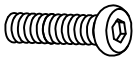


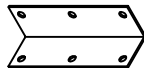
Z-B1(BOX1)-HARDWARE PACK IS LOCATED IN 300170Q(B1)

1	ALLEN WRENCH (5MM-RBW)		1PC	2	FLAT WASHER (Ø 5/16 "-RBW)		2PCS
3	BOLT (Ø 5/16 "X50mm-RBW)		2PCS	4	LOCK WASHER (Ø 5/16 "-RBW)		2PCS

Z-B2(BOX2)-HARDWARE PACK IS LOCATED IN 300170Q(B2)

5	ALLEN WRENCH (5MM-RBW)		1PC	6	FLAT WASHER (Ø 5/16 "-RBW)		2PCS
7	BOLT (Ø 5/16 "X50mm-RBW)		2PCS	8	LOCK WASHER (Ø 5/16 "-RBW)		2PCS
9	FLAT HEAD SCREW (m4x30mm-RBW)		9PCS				

Z-B3(BOX3)-HARDWARE PACK IS LOCATED IN 300170Q(B3)

10	ALLEN WRENCH (5MM-RBW)		1PC	11	FLAT WASHER (Ø 5/16 "-RBW)		24PCS
12	LONG BOLT (Ø 5/16 "X50mm-RBW)		2PCS	13	LOCK WASHER (Ø 5/16 "-RBW)		24PCS
14	SHORT BOLT (Ø 5/16 "X25mm-RBW)		22PCS	15	HEADBOARD CORNER BRACKET -LEFT (150mmX68mmX60mmX2mm-RBW)		1PC
16	HEADBOARD CORNER BRACKET -RIGHT (150mmX68mmX60mmX2mm-RBW)		1PC	17	HEADBOARD CORNER BRACKET (150mmX45mmX45mmX2mm-RBW)		2PCS

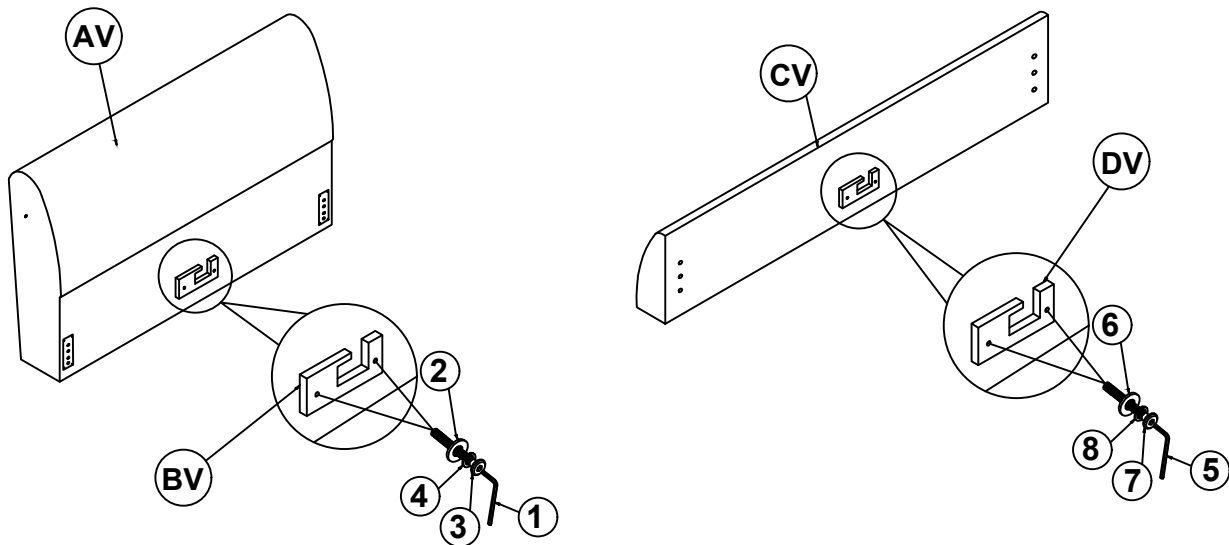
NOTE:

Phillips head screw driver is required in the assembly process; however, manufacturer does not provide this item.

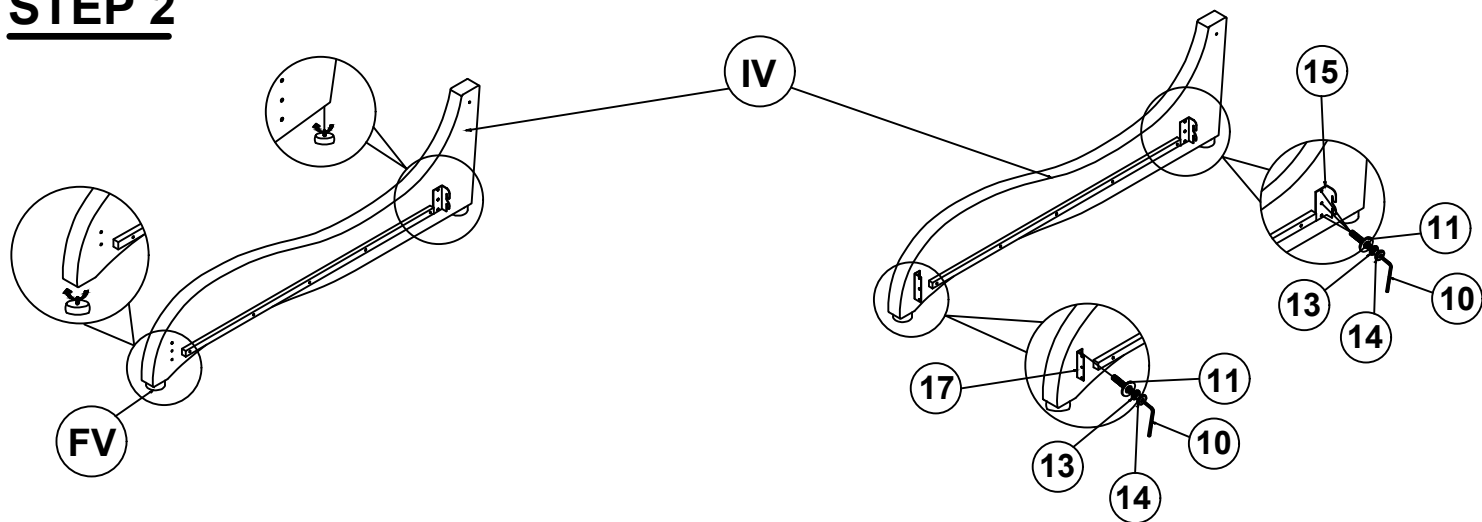
ITEM: 300170Q(B1-B3)

ASSEMBLY INSTRUCTIONS

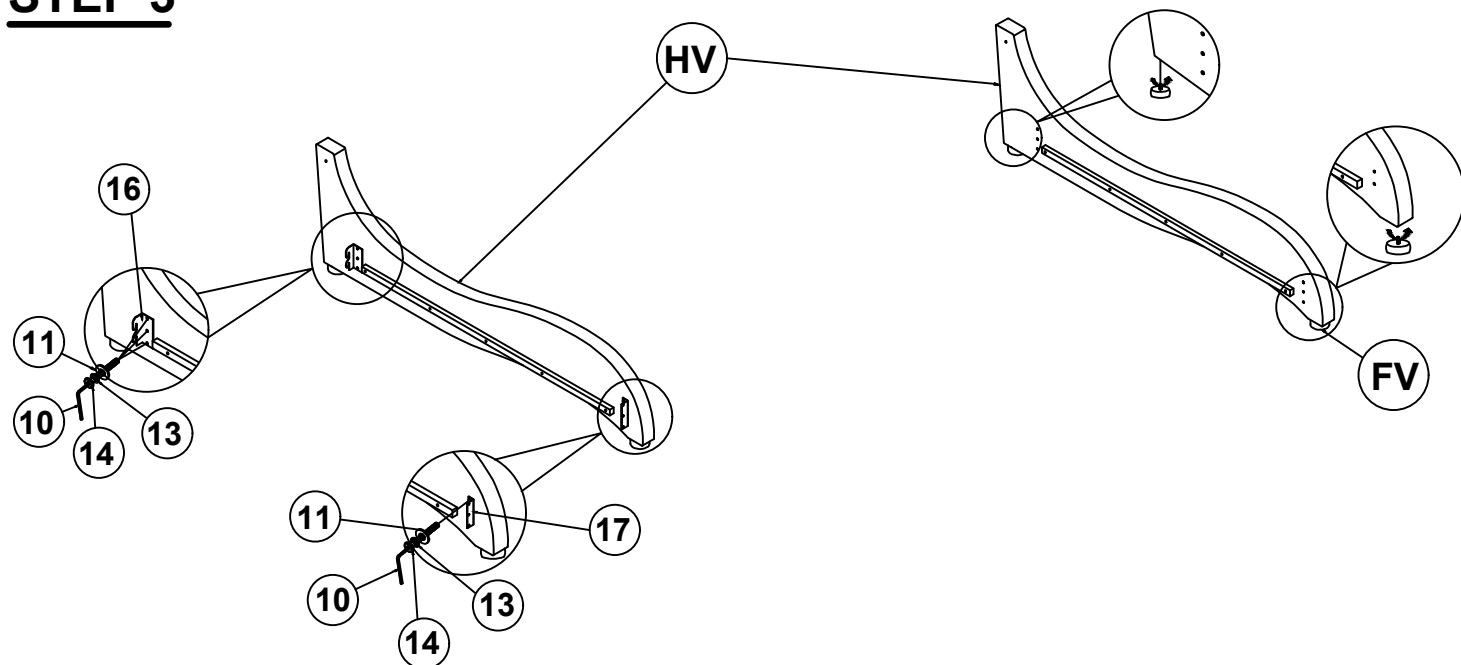
STEP 1



STEP 2



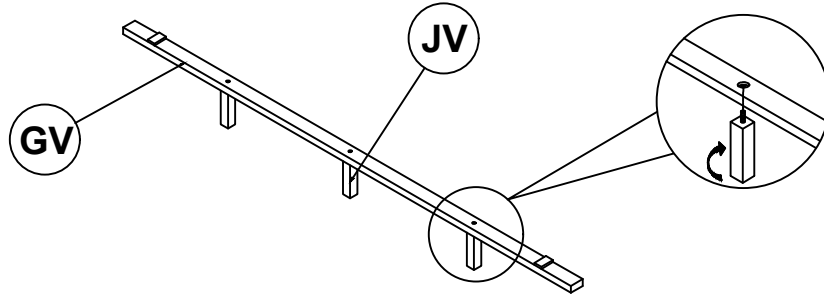
STEP 3



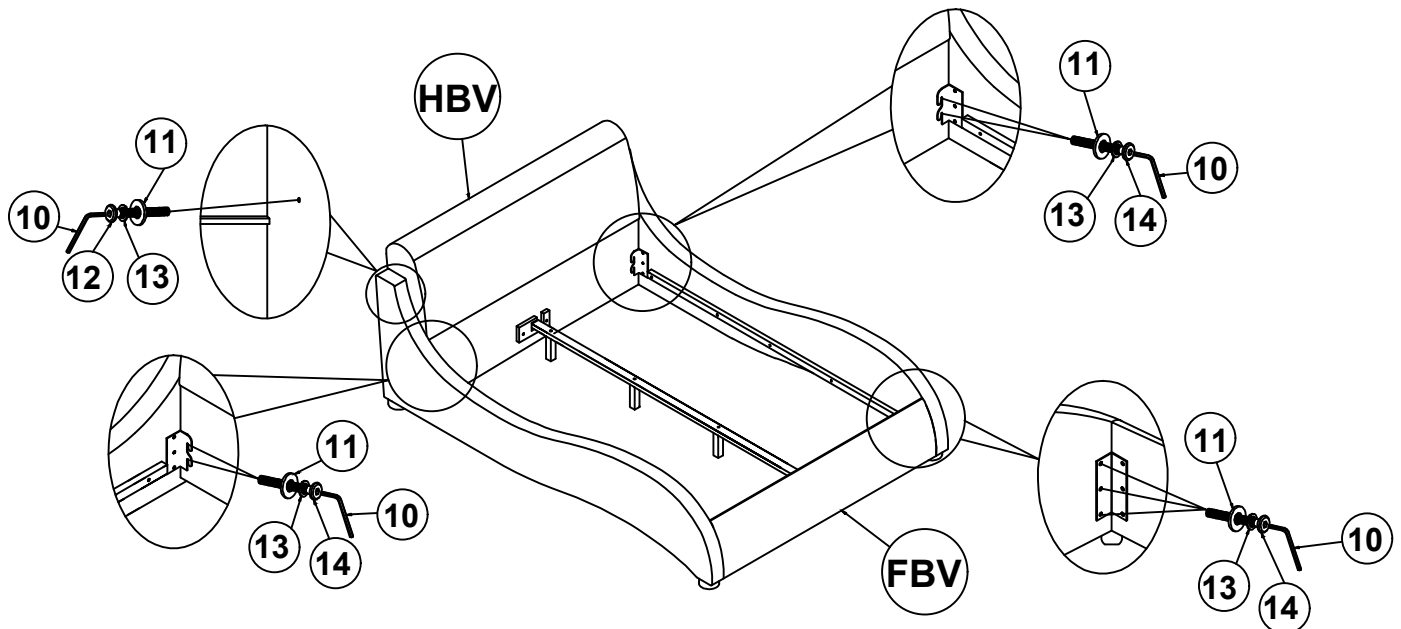
ITEM: 300170Q(B1-B3)

ASSEMBLY INSTRUCTIONS

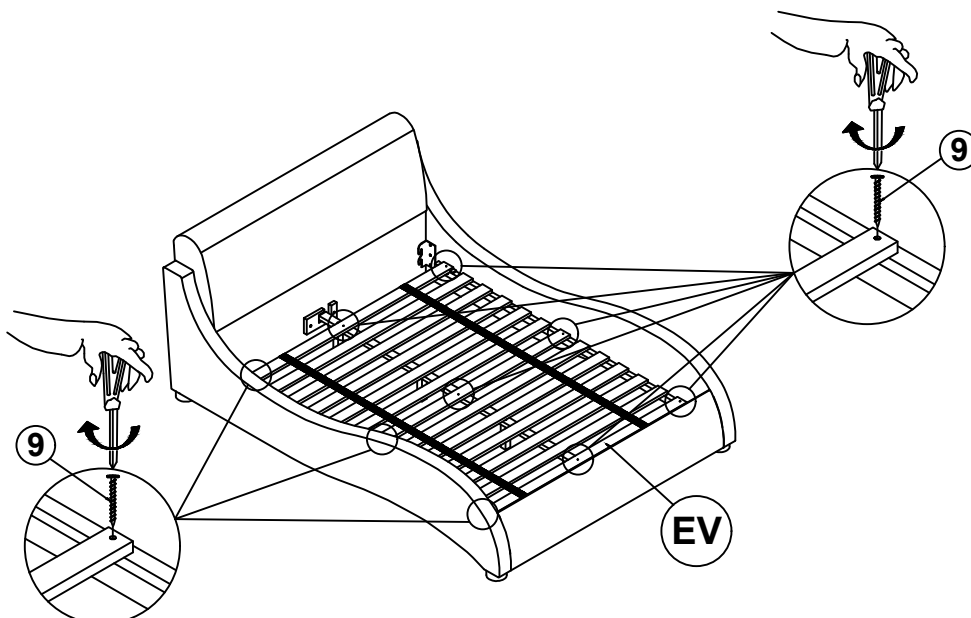
STEP 4



STEP 5



STEP 6

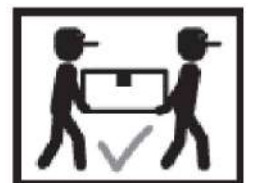
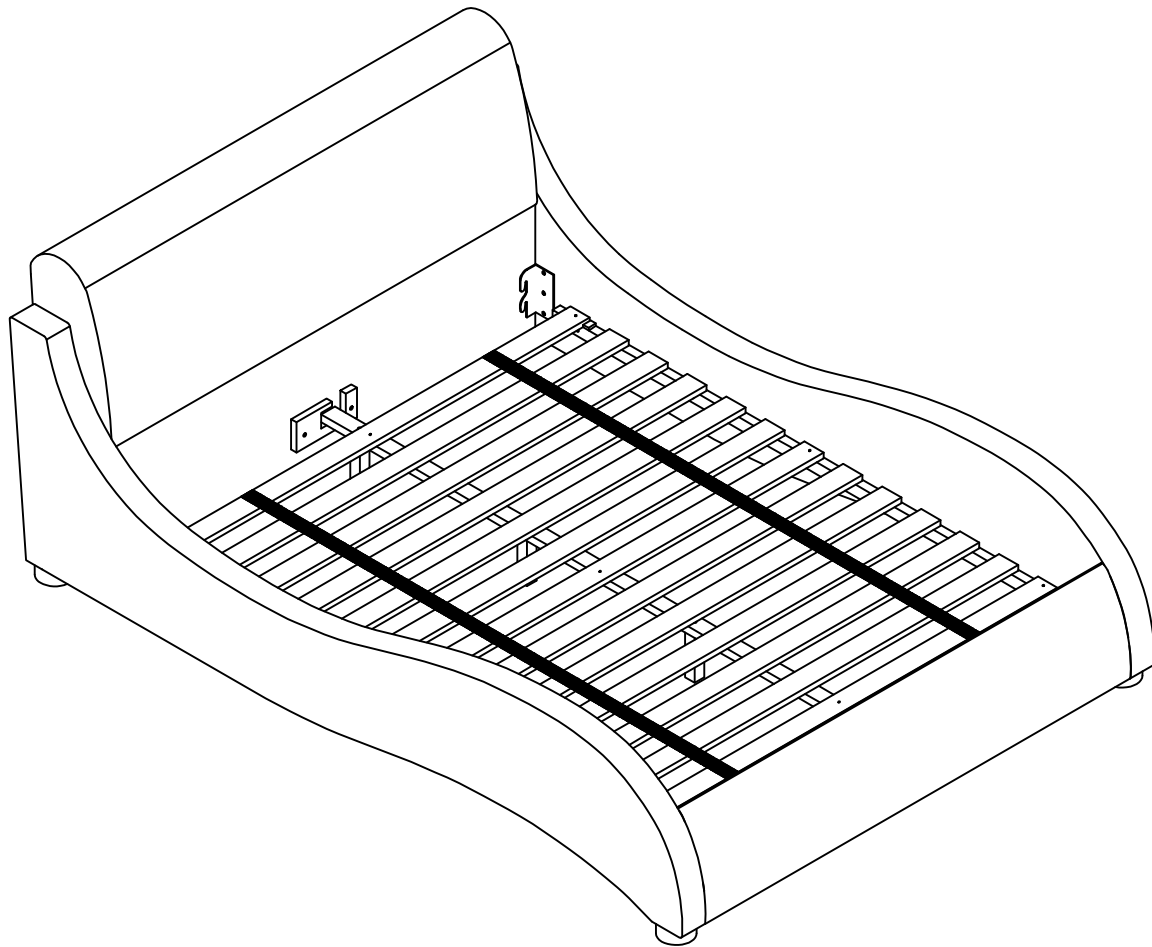


ITEM: **300170Q(B1-B3)**

ASSEMBLY INSTRUCTIONS

STEP 7

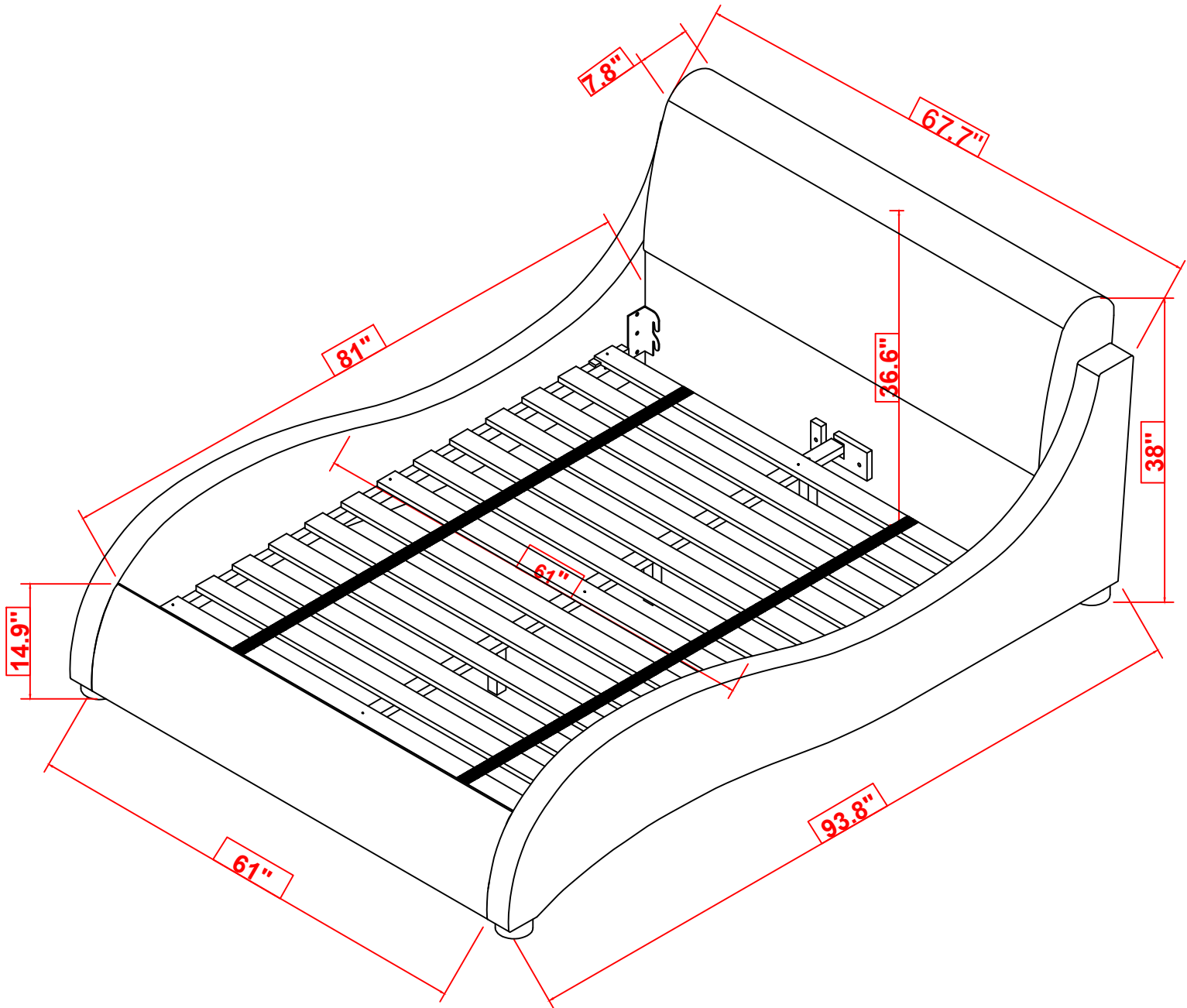
COMPLETE



ITEM:300170Q(B1-B3)

COASTER[®]
FINE FURNITURE

INNER SIZE:81"X61"



NOTE:Dimension tolerance±5%