

ASSEMBLY INSTRUCTIONS
COASTER FINE FURNITURE



Fine Furniture for every stage of life

902921
Hall Tree

ITEM:902921



ASSEMBLY INSTRUCTIONS

ASSEMBLY TIPS:

1. Remove hardware from box and sort by size.
2. Please check to see that all hardware and parts are present prior to start of assembly.
3. Please follow attached instructions in the same sequence as numbered to assure fast & easy assembly.



WARNING !

1. Don't attempt to repair or modify parts that are broken or defective. Please contact the store immediately.
2. This product is for home use only and not intended for commercial establishment.



ASSEMBLY TIME

15 MINUTE

PARTS IDENTIFICATION

A LEFT FRAME		1PC	F UPPER FRAME		1PC
B RIGHT FRAME		1PC	G POST		2PCS
C FRONT SLAT		1PC	H TOP BOARD		1PC
D BACK SLAT		1PC	I BOTTOM BOARD		1PC
E BACK BOTTOM CROSSBAR		1PC	J UPPER BOARD		1PC
			K HOOK		5PCS

HARDWARE IDENTIFICATION

1	BOLT (1/4"x5/8" - BLK)		18PCS	5	WASHER (ø16mm - BLK)		18PCS
2	BOLT (1/4"x1-3/8" - BLK)		8PCS	6	ADJUSTABLE LEVELER (ø23x23mm - BLK)		4PCS
3	BOLT (1/4"x2" - BLK)		2PCS	7	ALLEN WRENCH (4x22x60mm - BLK)		1PC
4	PHILLIPS SCREW (3/16"x1-1/4" - BLK)		10PCS				

NOTE:

Phillips head screw driver is required in the assembly process; however, manufacturer does not provide this item.

ITEM: **902921**



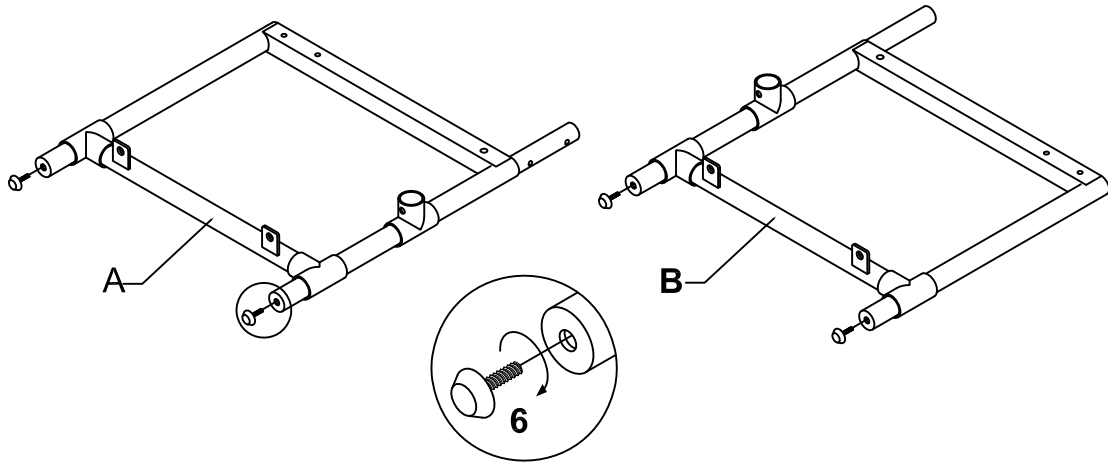
ASSEMBLY INSTRUCTIONS

STEP 1:



ASSEMBLY

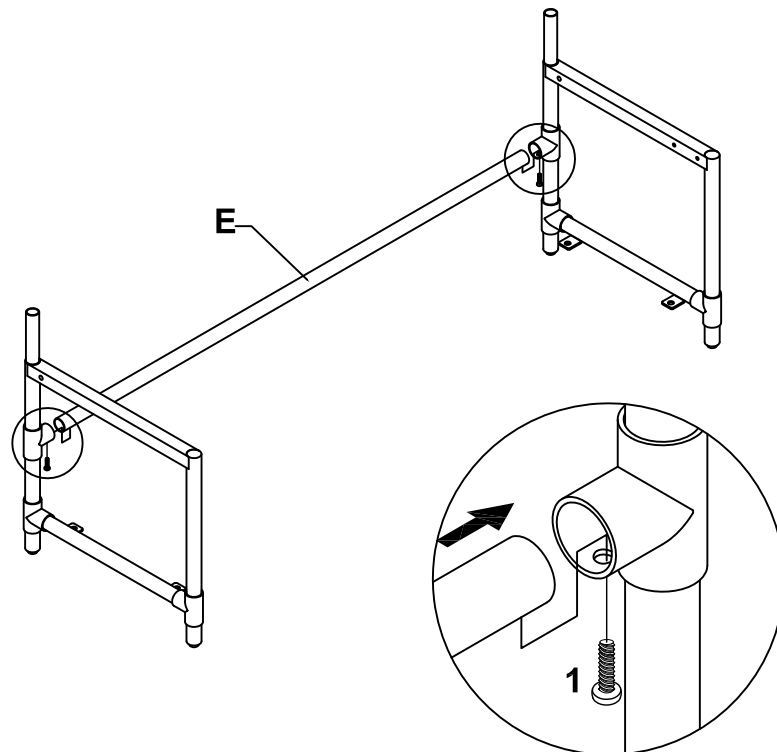
Do not fully tighten all bolts until assembly is complete.
This will help all parts to assemble properly.

6  4 PCS



STEP 2:

1  2 PCS
7 



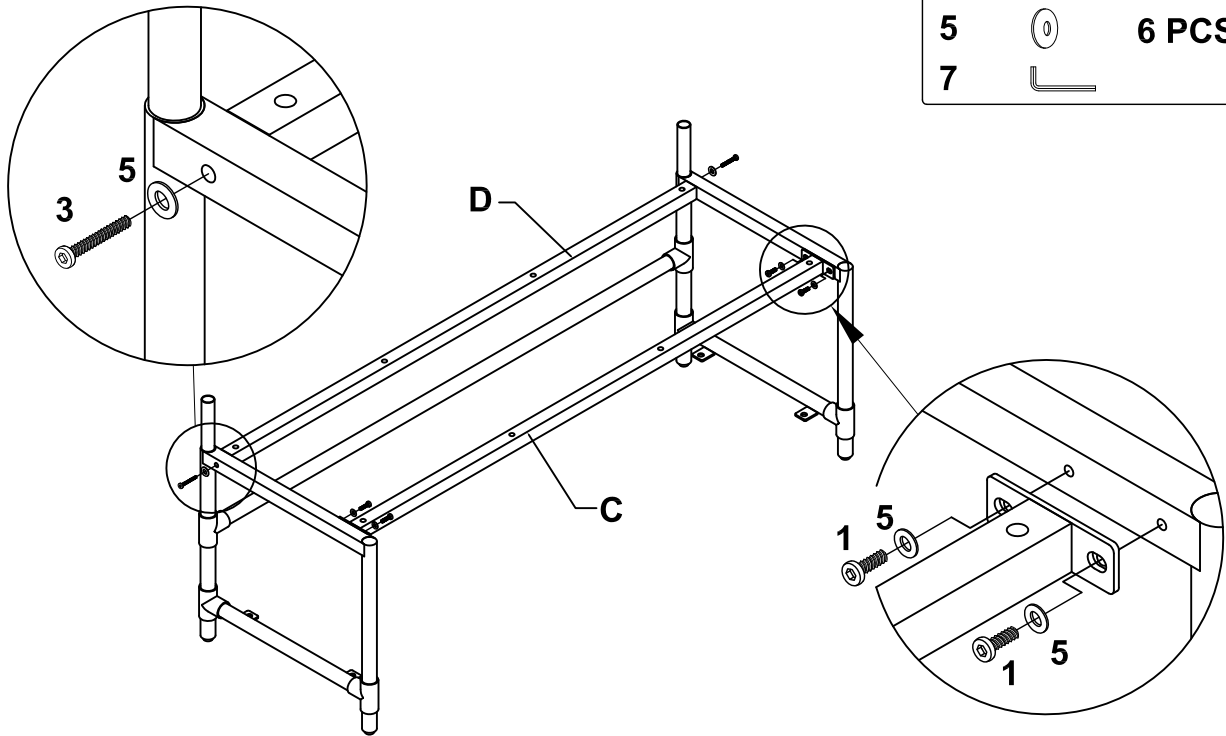
ITEM: **902921**

ASSEMBLY INSTRUCTIONS

STEP 3:

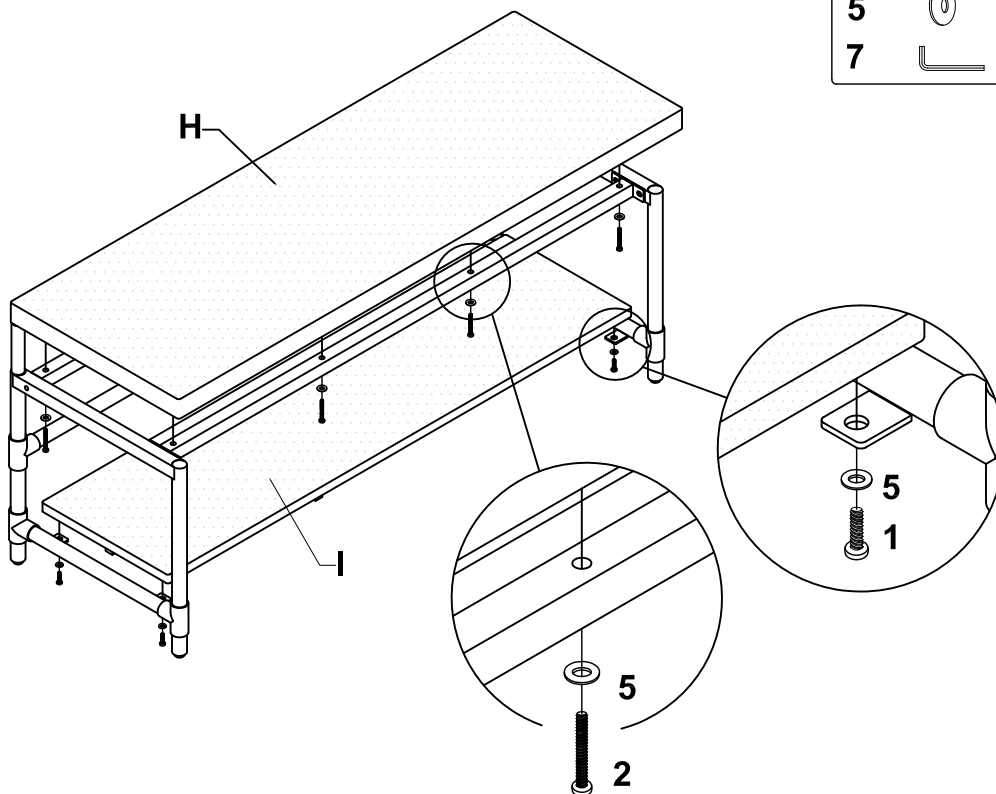


1		4 PCS
3		2 PCS
5		6 PCS
7		



STEP 4:

1		4 PCS
2		8 PCS
5		12 PCS
7		



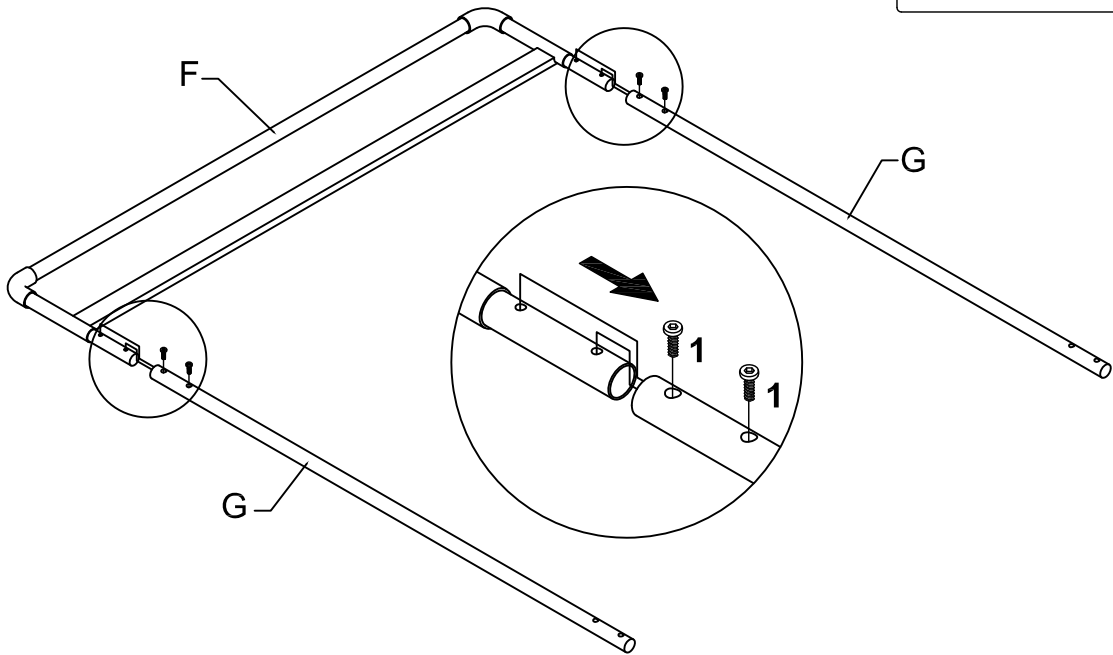
ITEM: **902921**

ASSEMBLY INSTRUCTIONS

STEP 5:

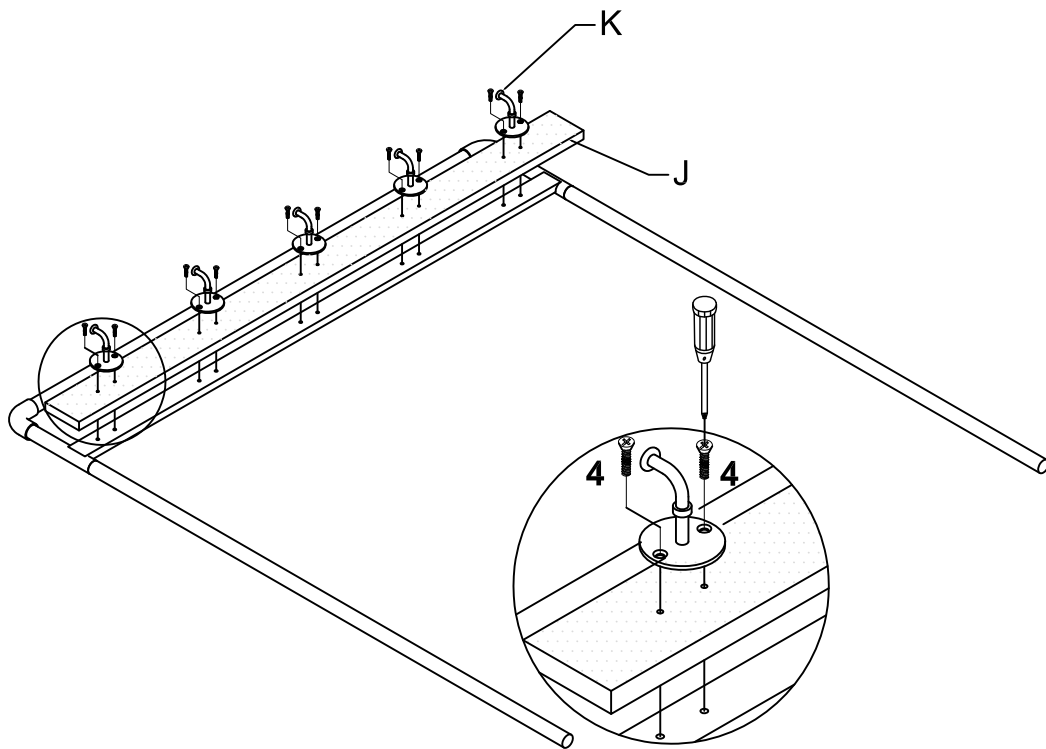


1		4 PCS
7		



STEP 6:

4		10 PCS
---	--	--------



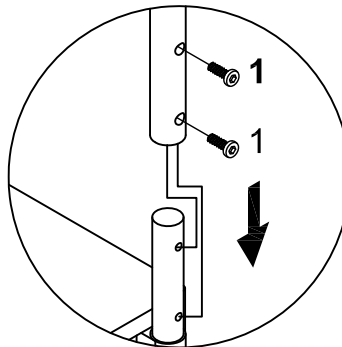
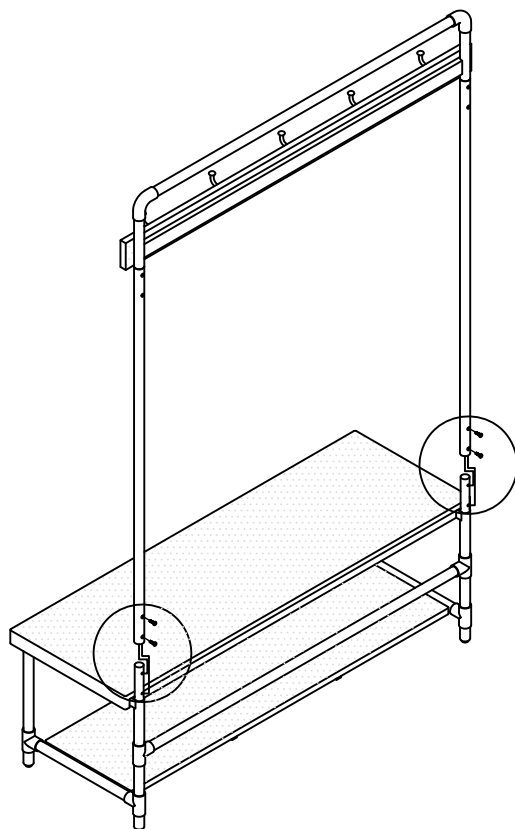
ITEM: **902921**

ASSEMBLY INSTRUCTIONS

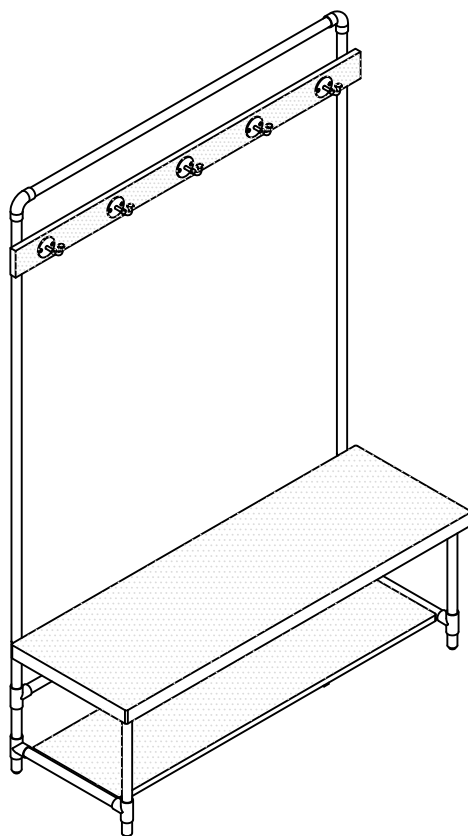
STEP 7:

COASTER
FINE FURNITURE

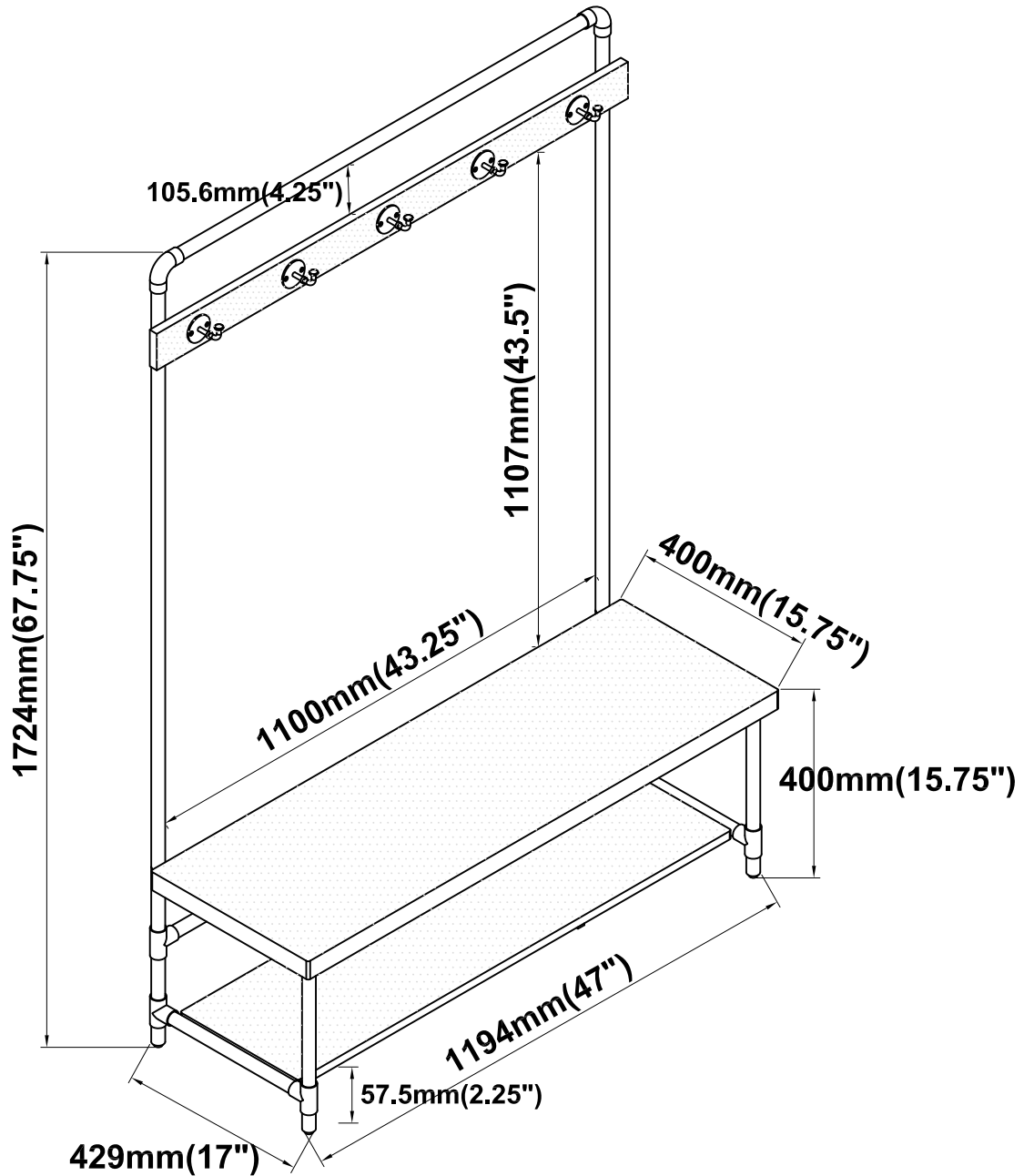
1		4 PCS
7		



STEP 8:



ITEM:902921



Note : Dimension tolerance $\pm 5\%$