

ASSEMBLY INSTRUCTIONS
COASTER FINE FURNITURE



Fine Furniture for every stage of life

801551
WRITING DESK

ITEM:801551

ASSEMBLY INSTRUCTIONS

ASSEMBLY TIPS:

1. Remove hardware from box and sort by size.
2. Please check to see that all hardware and parts are present prior to start of assembly.
3. Please follow attached instructions in the same sequence as numbered to assure fast & easy assembly.



WARNING!

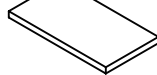
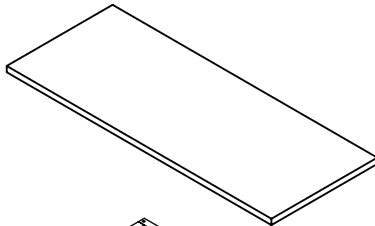
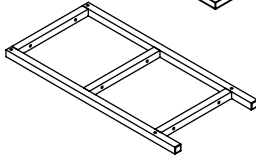
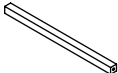
1. Don't attempt to repair or modify parts that are broken or defective. Please contact the store immediately.
2. This product is for home use only and not intended for commercial establishments.





ASSEMBLY TIME

40 MINUTES

PARTS IDENTIFICATION

A	SHELF		4 PCS
B	TOP		1 PC
C	METAL FRAME		4 PCS
D	CROSSBAR		8 PCS

HARDWARE IDENTIFICATION

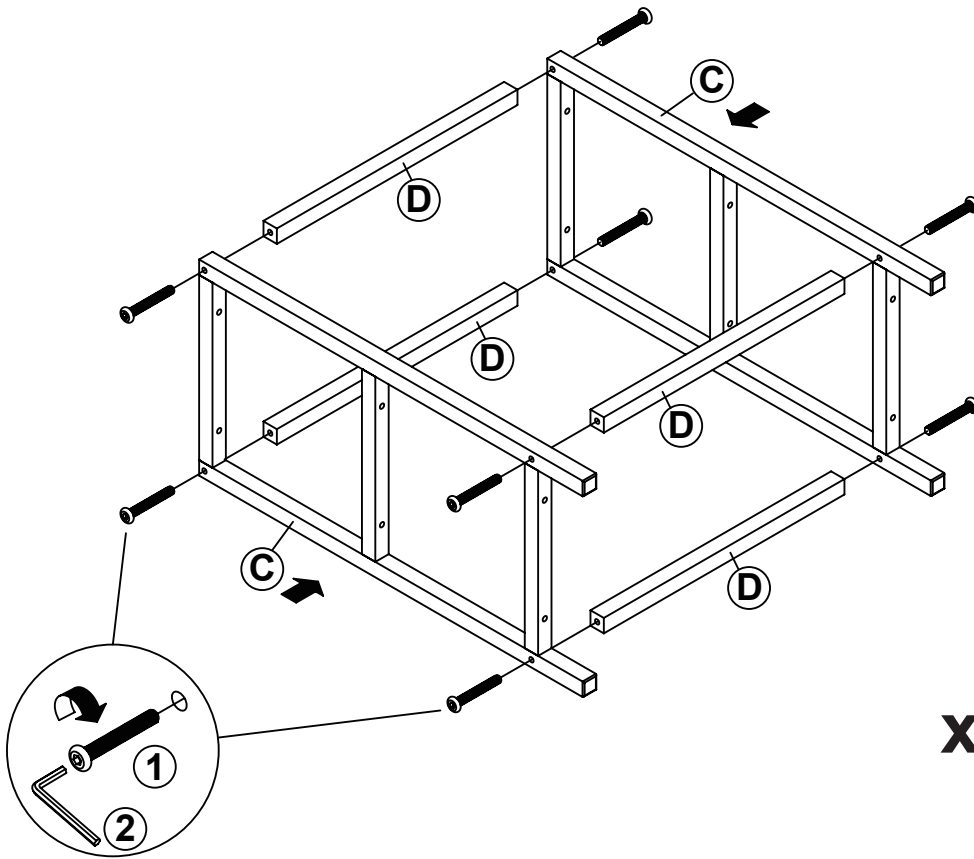
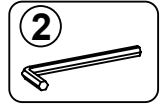
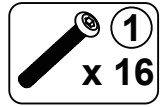
Z NO	DESCRIPTION	FIGURE	Q'TY
1	BOLT M6x44mm BLK		40 PCS
2	ALLEN WRENCH 4mm SR		1 PC

NOTE:

Phillips head screw driver is required in the assembly process; however, manufacturer does not provide this item.

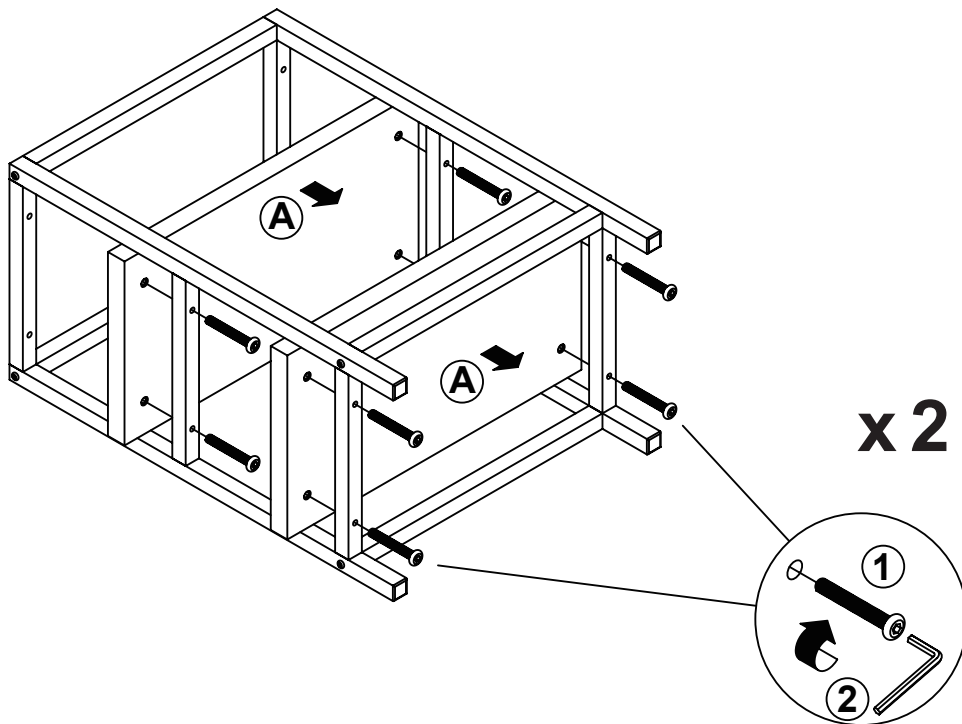
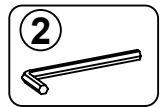
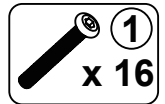
ITEM: 801551

STEP 1



x 2

STEP 2



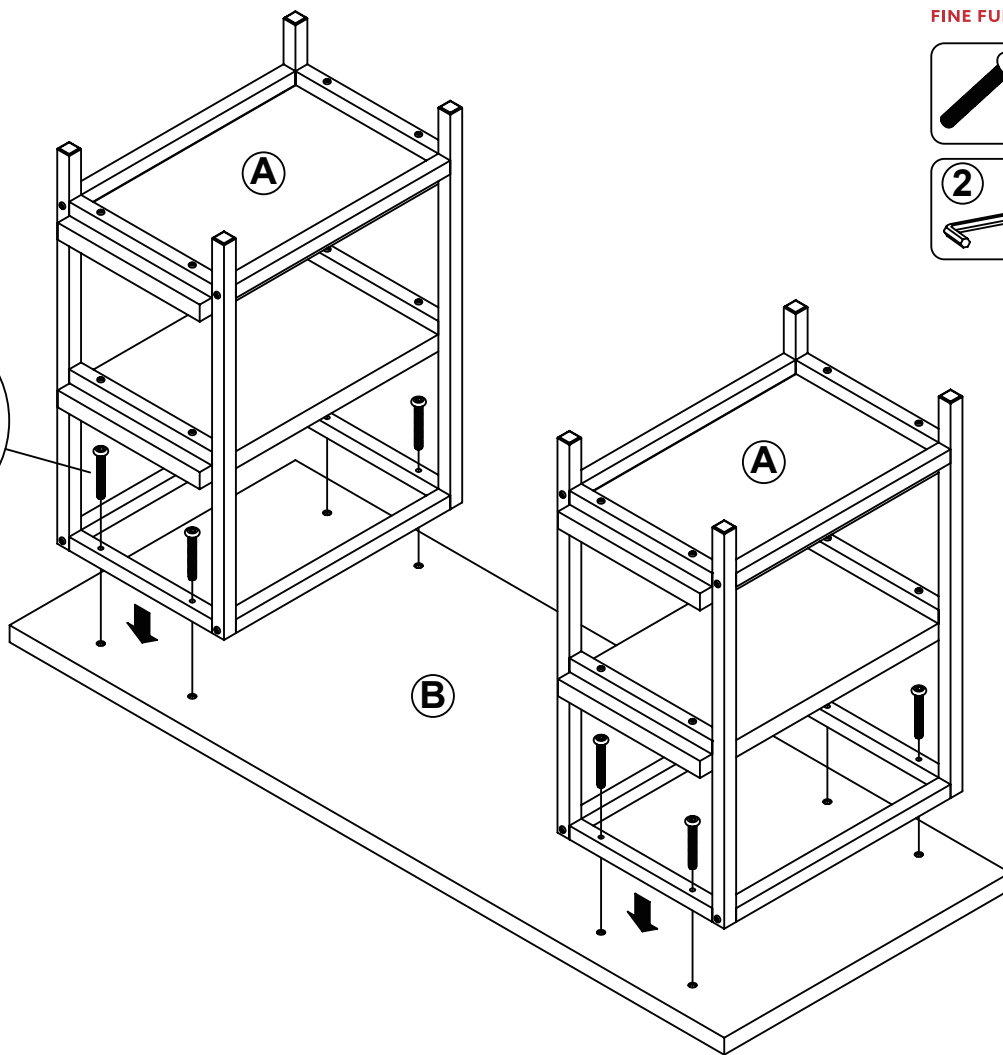
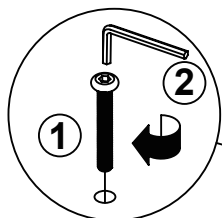
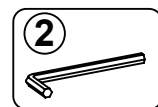
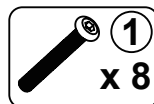
x 2

ITEM: 801551

COASTER[®]

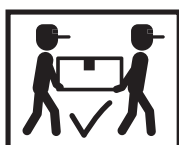
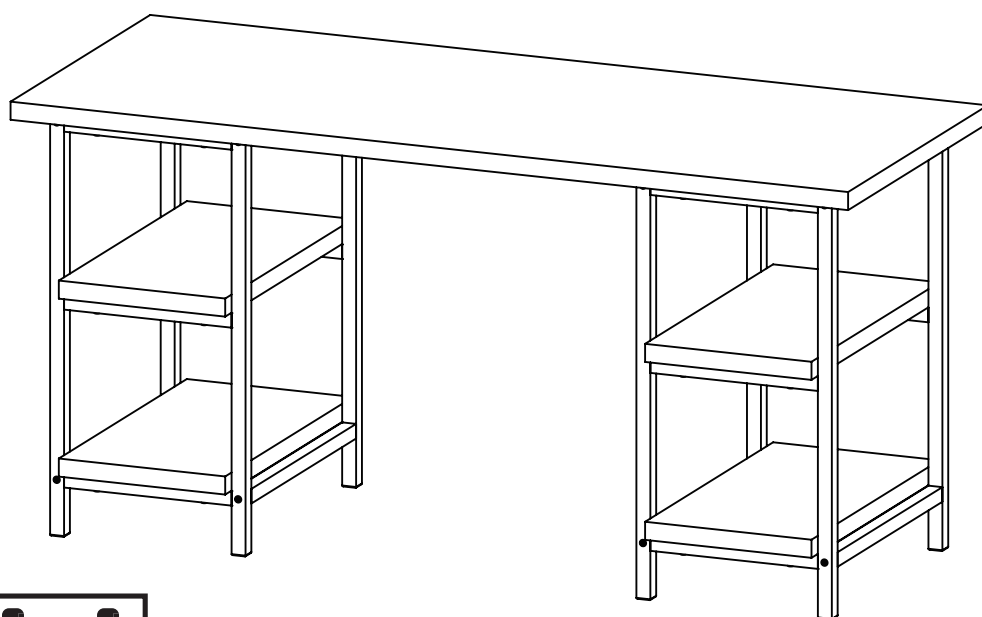
FINE FURNITURE

STEP 3

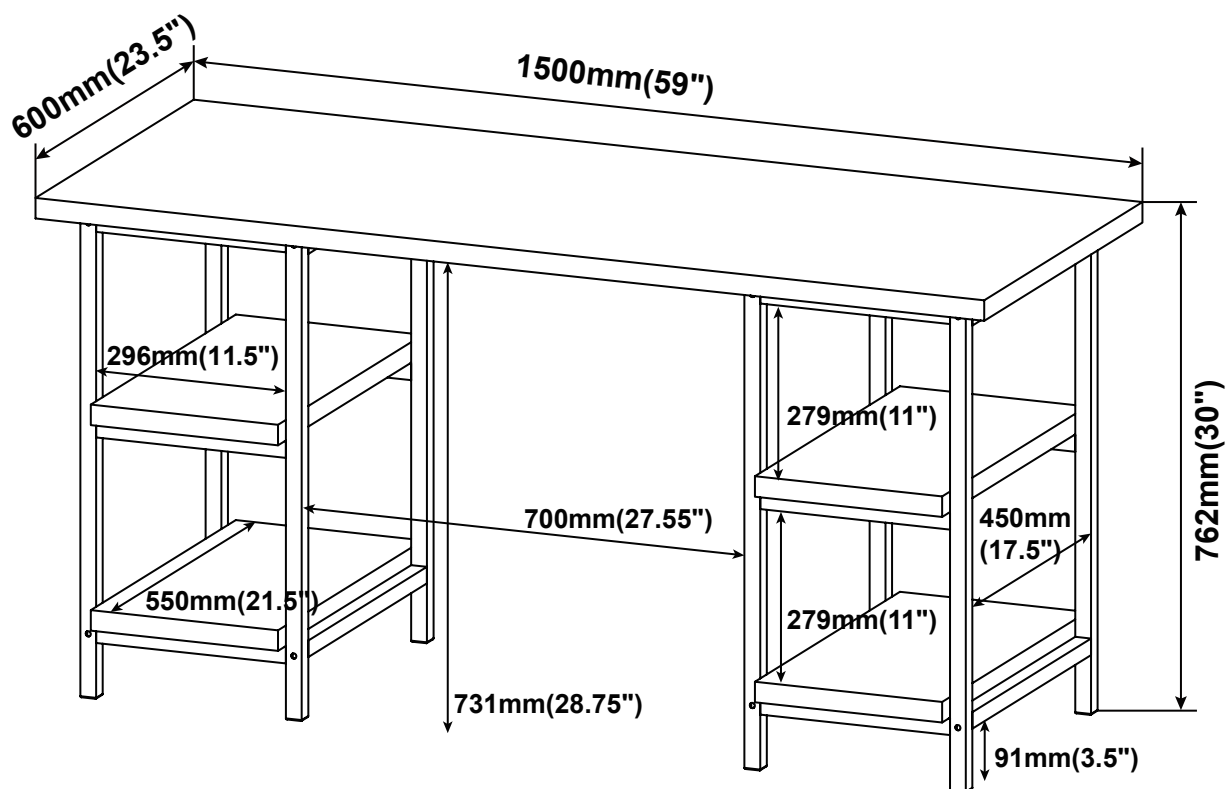


STEP 4

COMPLETE



ITEM: 801551



Note : Dimension tolerance $\pm 5\%$