

*ASSEMBLY INSTRUCTIONS  
COASTER FINE FURNITURE*



600159  
Glider w/ Ottoman

REVISION 0: 10/28/2018  
REVISION 1: 05/16/2019  
REVISION 2: 03/02/2020

## ASSEMBLY INSTRUCTIONS

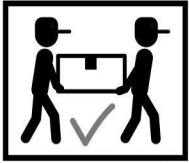
### ASSEMBLY TIPS:

1. Remove hardware from box and sort by size.
2. Please check to see that all hardware and parts are present prior to start of assembly.
3. Please follow attached instructions in the same sequence as numbered to assure fast & easy assembly.



### WARNING!





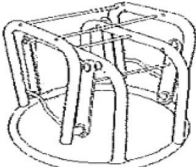
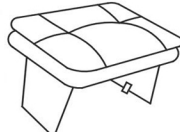
1. Don't attempt to repair or modify parts that are broken or defective. Please contact the store immediately.
2. This product is for home use only and not intended for commercial establishments.

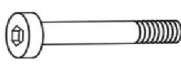






**ASSEMBLY TIME 25 MINUTES**

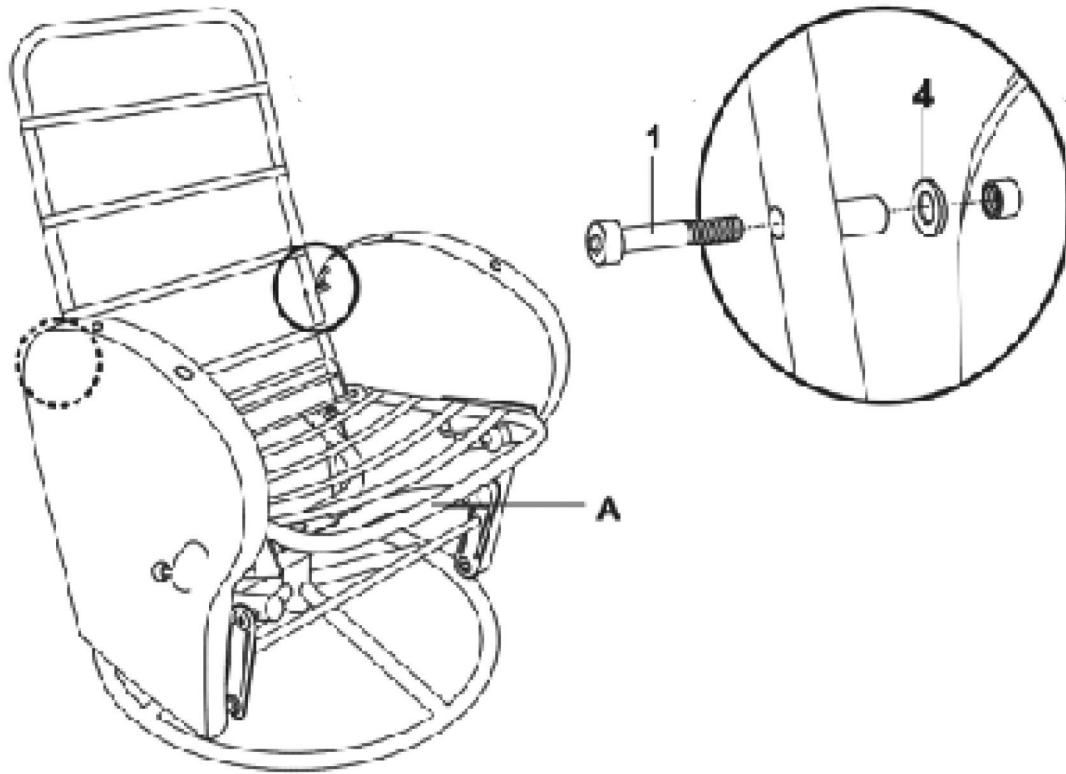
## PARTS IDENTIFICATION

## HARDWARE IDENTIFICATION

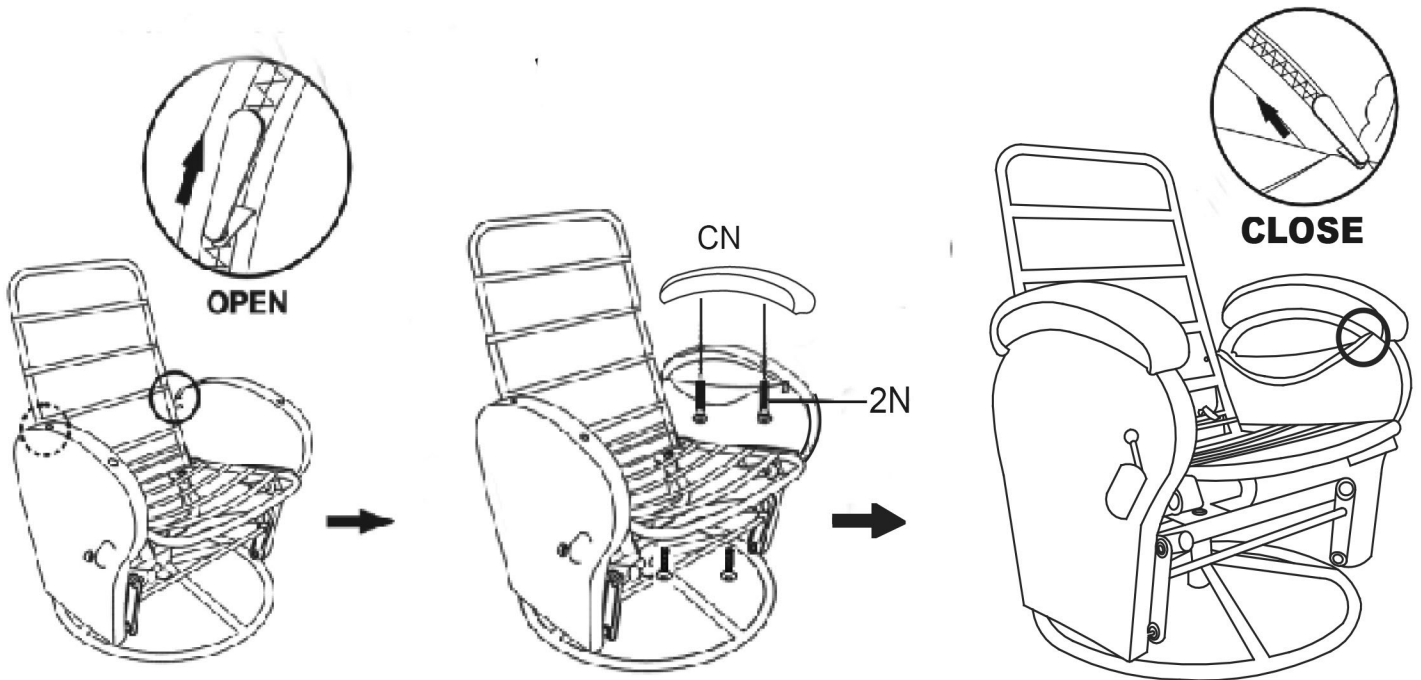
A	MAIN FRAME		1PC
BN	CUSHION		1PC
CN	LEFT ARMREST		C
DN	RIGHT ARMREST		PC
EN	OTTOMAN FRAME		PC
FN	OTTOMAN CUSHION		1PC

1	ALLEN BOLT-LARGE M8x60MM		2PC
2N	ALLEN BOLT-SMALL 1/4" x35		4PC
3N	BOLT 1/4" x16MM		4PC
4	WASHER		2PC
5	ALLEN KEYS		1PC

**ASSEMBLY INSTRUCTIONS**  
**STEP 1**

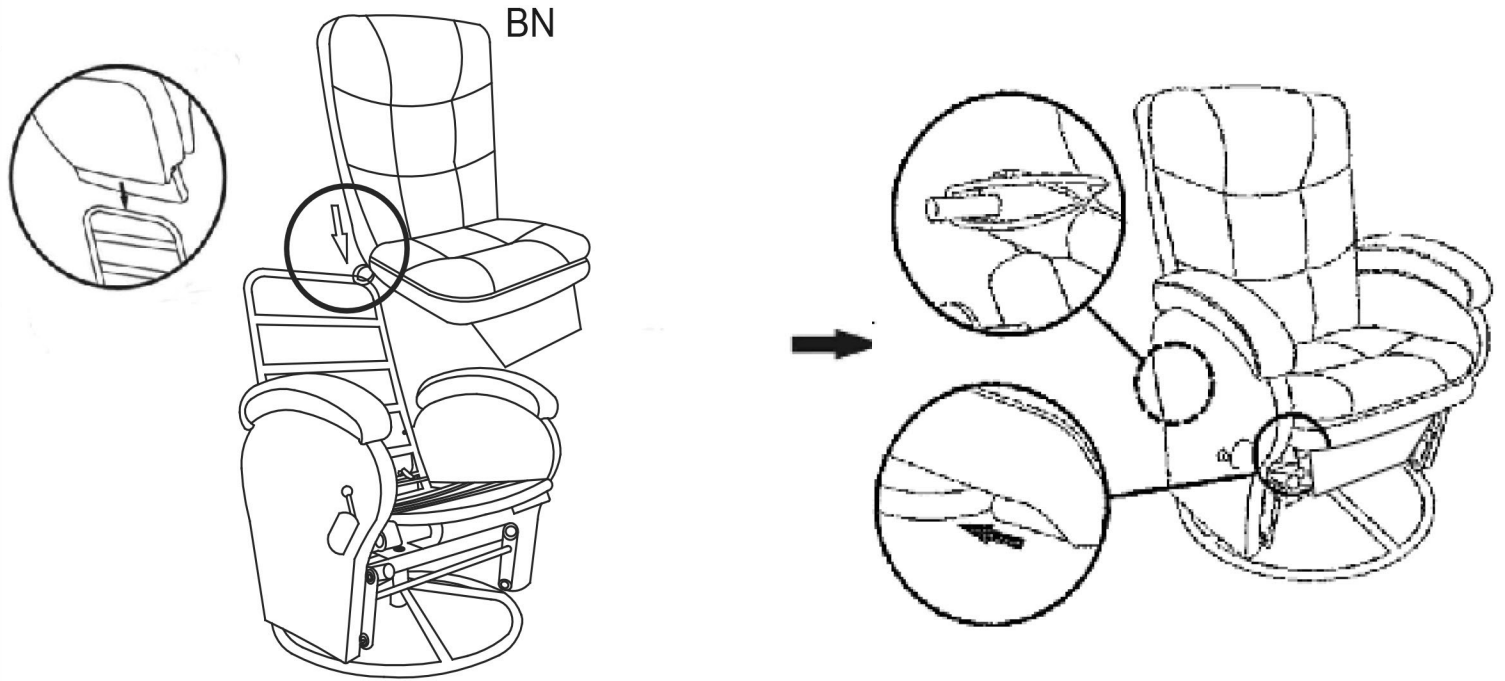


**STEP 2**

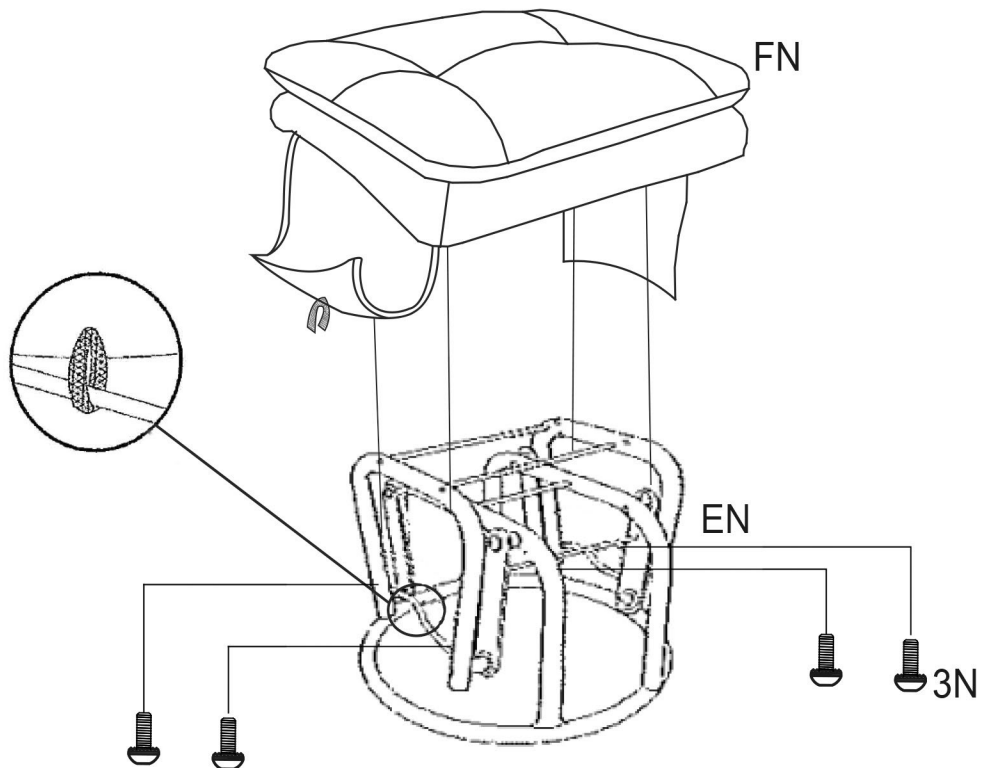


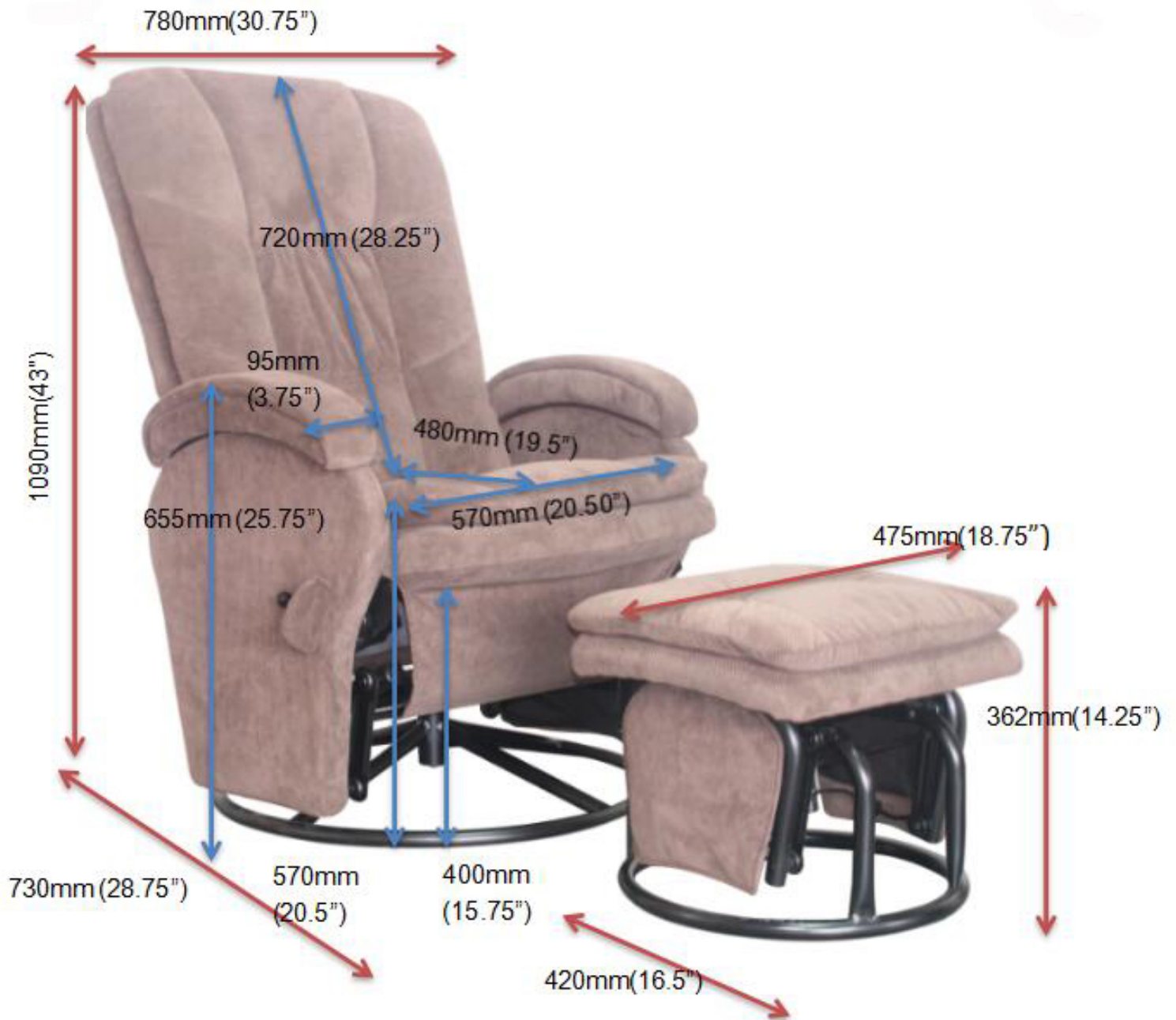
ITEM: 600159

ASSEMBLY INSTRUCTIONS  
STEP 3



STEP 4





Note : Dimension tolerance  $\pm 5\%$