

ASSEMBLY INSTRUCTIONS
COASTER FINE FURNITURE



Fine Furniture for every stage of life

205293
Dresser

REVISION 0 : 05/10/2017
REVISION 1 : 08/30/2017
REVISION 2 : 02/05/2020

ITEM: **205293**



ASSEMBLY INSTRUCTIONS

ASSEMBLY TIPS:

1. Remove hardware from box and sort by size.
2. Please check to see that all hardware and parts are present prior to start of assembly.
3. Please follow attached instructions in the same sequence as numbered to assure fast & easy assembly.



WARNING!

1. Don't attempt to repair or modify parts that are broken or defective. Please contact the store immediately.
2. This product is for home use only and not intended for commercial establishments.

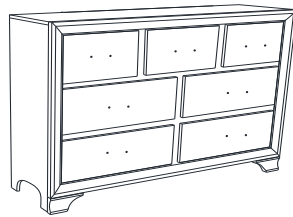


ASSEMBLY TIME

5 MINUTES

PARTS IDENTIFICATION

A DRESSER

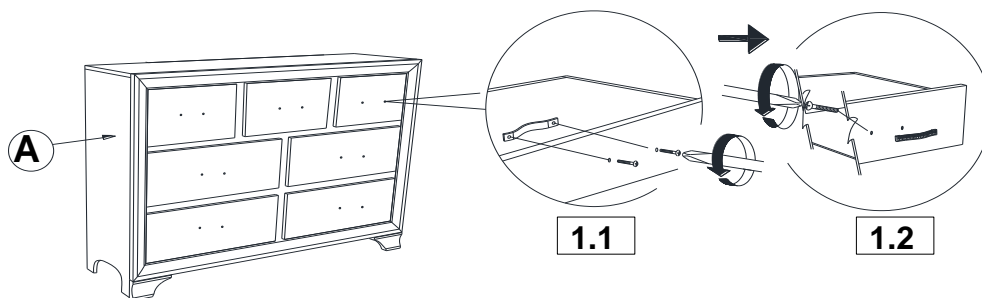


1PC

NOTE:

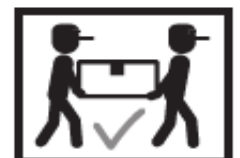
Phillips head screw driver is required in the assembly process; however, manufacturer does not provide this item.

STEP 1



STEP 2

COMPLETE

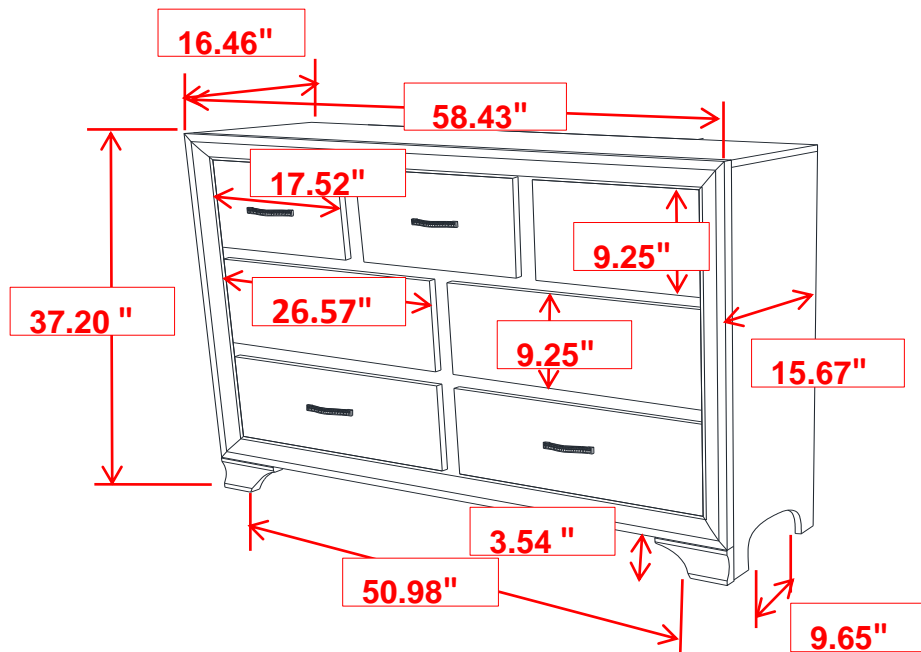


ITEM:205293

COASTER
FINE FURNITURE

INNER SIZE OF DRAWER : 5.91" x 12.60" x 14.17"

INNER SIZE OF DRAWER : 5.91" x 12.60" x 23.23"



Note : Dimension tolerance $\pm 5\%$