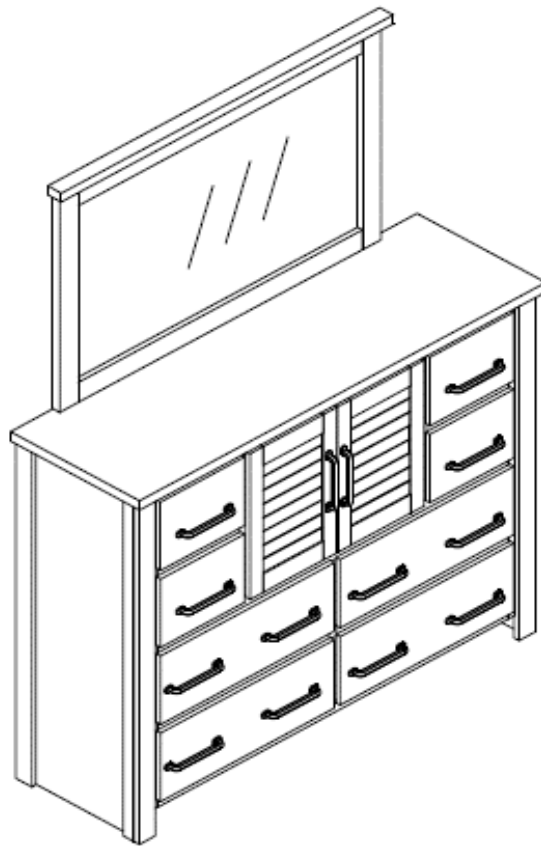


ASSEMBLY INSTRUCTIONS
COASTER FINE FURNITURE



Fine Furniture for every stage of life

204534
Mirror

ASSEMBLY INSTRUCTIONS

ASSEMBLY TIPS:

1. Remove hardware from box and sort by size.
2. Please check to see that all hardware and parts are present prior to start of assembly.
3. Please follow attached instructions in the same sequence as numbered to assure fast & easy assembly.



WARNING!

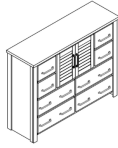
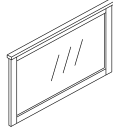

1. Don't attempt to repair or modify parts that are broken or defective. Please contact the store immediately.
2. This product is for home use only and not intended for commercial establishments.







ASSEMBLY TIME

15 MINUTES

PARTS IDENTIFICATION

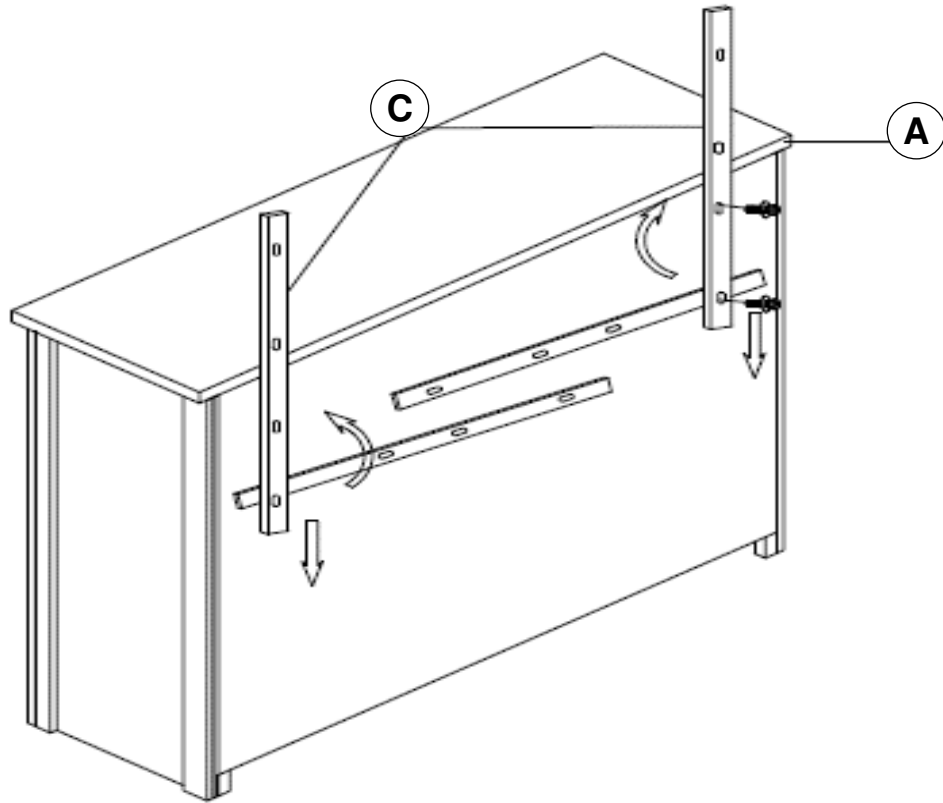
A	DRESSER		1PC
B	MIRROR		1PC
C	MIRROR SUPPORT (PACKED WITH DRESSER)		2PCS

HARDWARE IDENTIFICATION

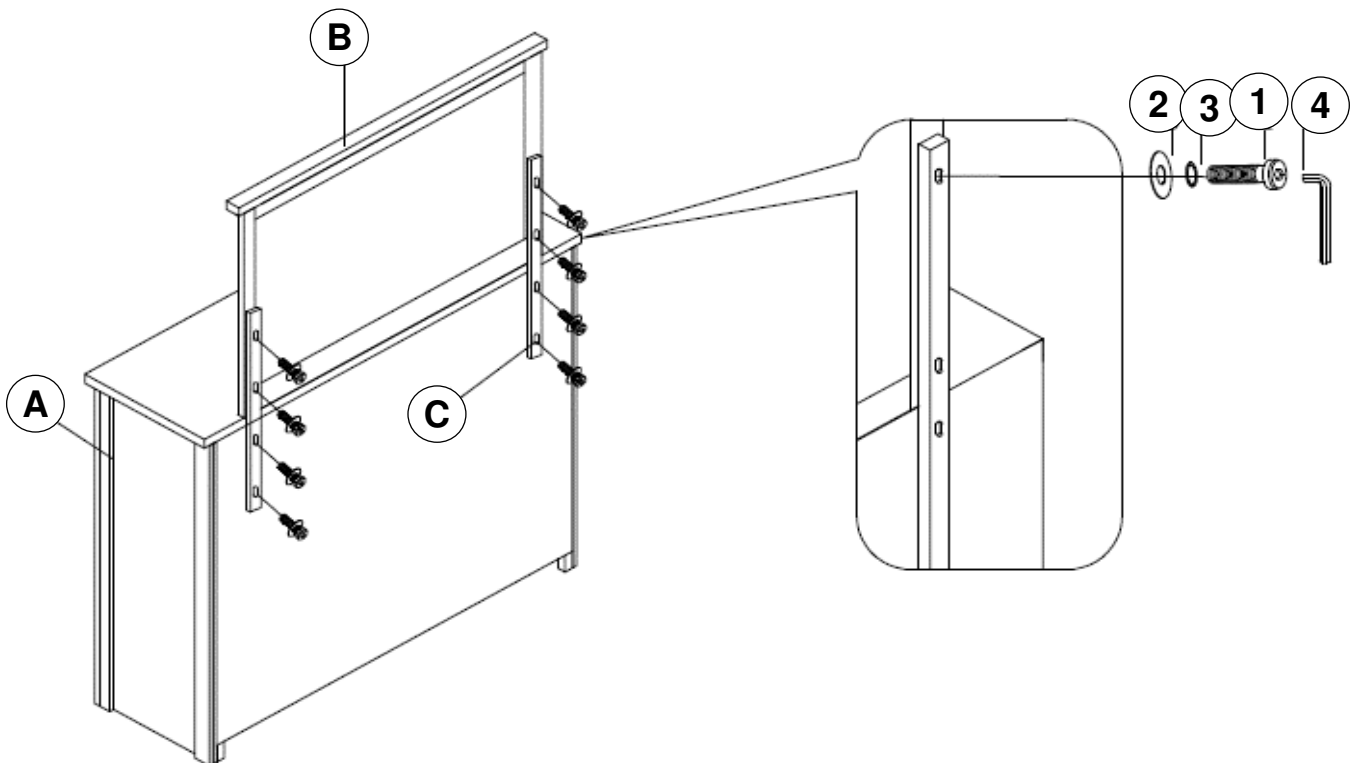
1	BOLT (Ø1/4"*38mm - RBW)		8PCS
2	FLAT WASHER (Ø1/4"*19D*2mm - RBW)		8PCS
3	LOCK WASHER (Ø1/4"*10D*1.1mm - RBW)		8PCS
4	ALLEN WRENCH (4mm - BLK)		1PC

ITEM: **204534**

ASSEMBLY INSTRUCTIONS
STEP 1



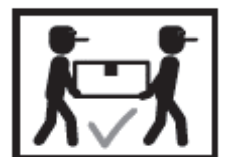
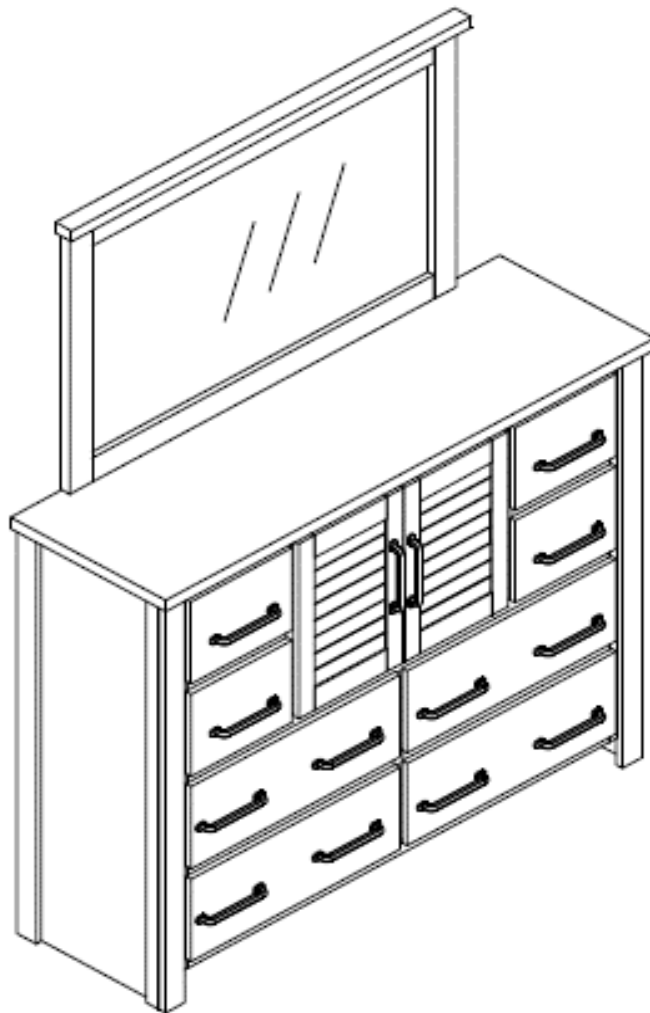
STEP 2



ITEM: **204534**

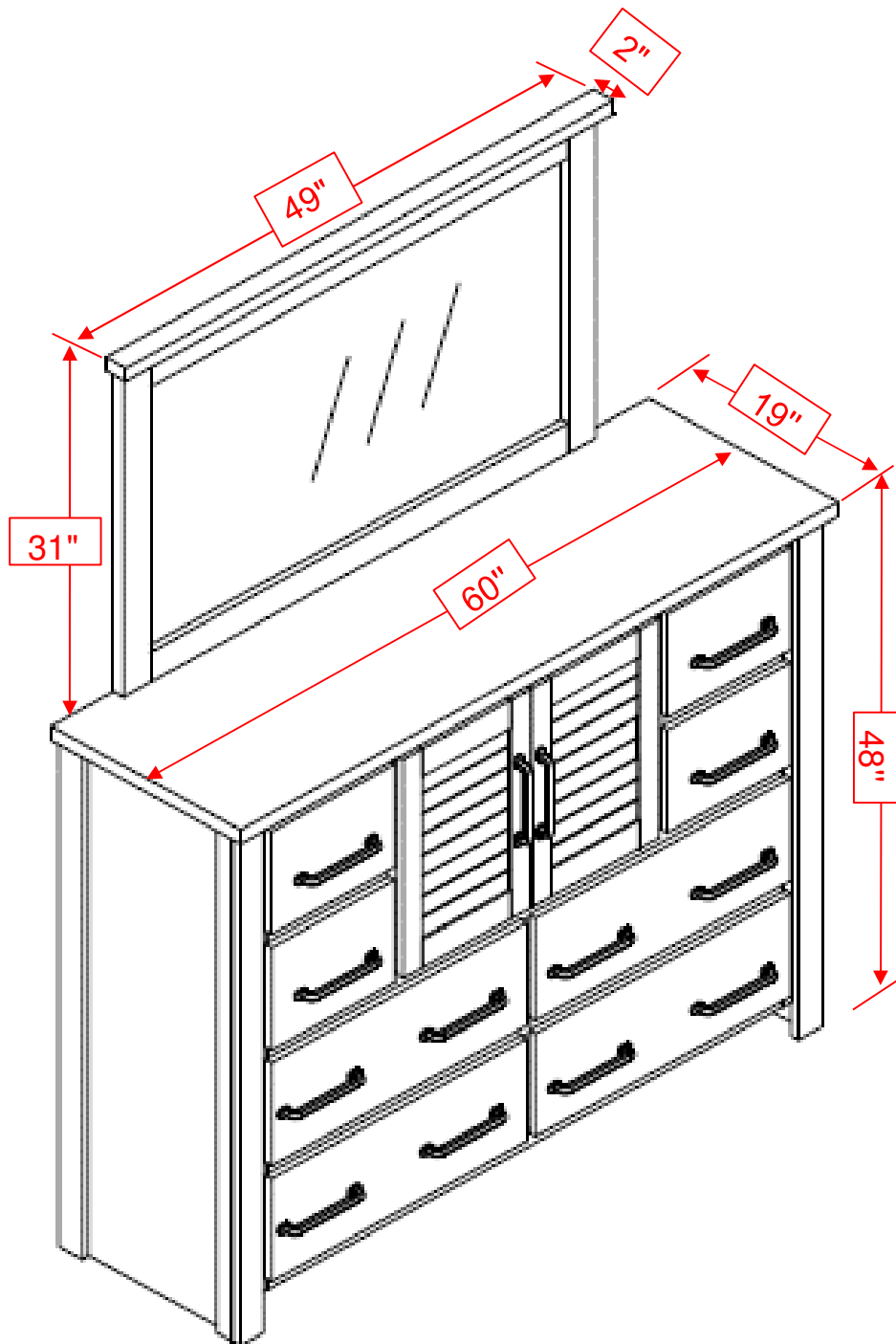


STEP 3
COMPLETE



ITEM: 204534

COASTER
FINE FURNITURE



Note: Dimension tolerance $\pm 5\%$