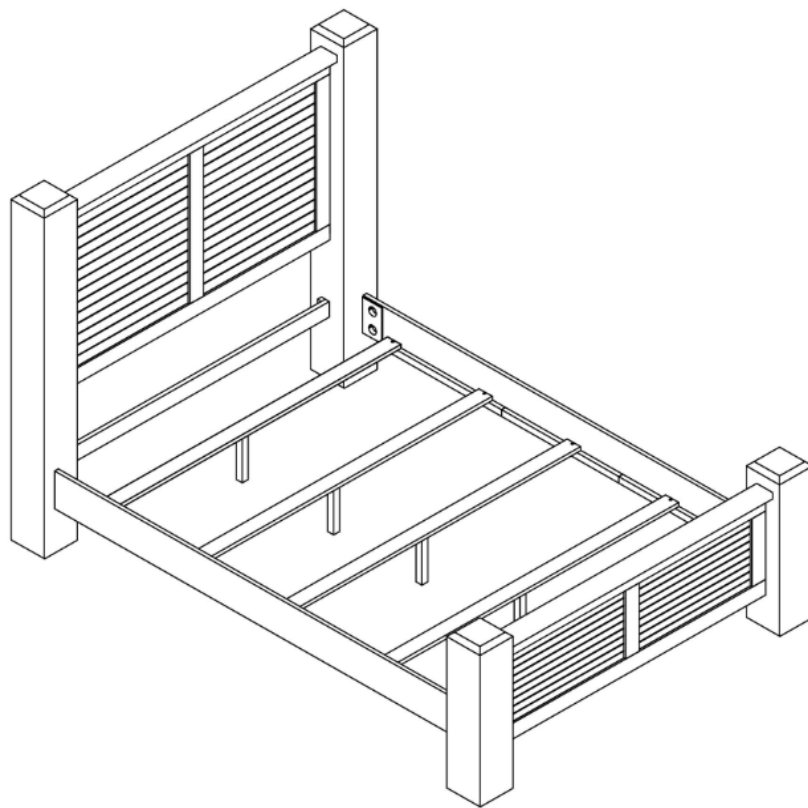


*ASSEMBLY INSTRUCTIONS*  
*COASTER FINE FURNITURE*



*Fine Furniture for every stage of life*

**204531Q (B1-B5)**  
**Queen Bed**

# ITEM: 204531Q (B1-B5)



## ASSEMBLY INSTRUCTIONS

### ASSEMBLY TIPS:

1. Remove hardware from box and sort by size.
2. Please check to see that all hardware and parts are present prior to start of assembly.
3. Please follow attached instructions in the same sequence as numbered to assure fast & easy assembly.

### WARNING!



1. Don't attempt to repair or modify parts that are broken or defective. Please contact the store immediately.
2. This product is for home use only and not intended for commercial establishments.



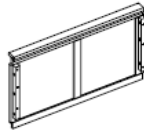
ASSEMBLY TIME

30 MINUTES

## PARTS IDENTIFICATION

### B1 ( BOX 1)

A HEADBOARD  
PANEL



1PC

B HEADBOARD  
BOTTOM RAIL



1PC

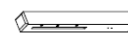
### B2 ( BOX 2)

RIGHT  
C HEADBOARD  
LEG



1PC

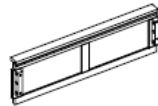
LEFT  
D HEADBOARD  
LEG



1PC

### B3 ( BOX 3)

E FOOTBOARD  
PANEL



1PC

### B4 ( BOX 4)

RIGHT  
F FOOTBOARD  
LEG



1PC

LEFT  
G FOOTBOARD  
LEG



1PC

### B5 ( BOX 5)

H BED RAIL



2PCS

I BED SLAT



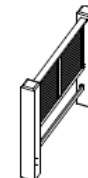
4PCS

J BED SLAT  
SUPPORT  
WITH LEVELER



4PCS

HB 204531Q (B1 & B2)  
FROM BOX 1 & BOX 2  
HEADBOARD  
COMPLETE



1PC

FB 204531Q (B3 & B4)  
FROM BOX 3 & BOX 4  
FOOTBOARD



1PC

### NOTE:

Phillips head screw driver is required in the assembly process; however, manufacturer does not provide this item.

# ITEM: 204531Q (B1-B5)

## ASSEMBLY INSTRUCTIONS

### ASSEMBLY TIPS:

1. Remove hardware from box and sort by size.
2. Please check to see that all hardware and parts are present prior to start of assembly.
3. Please follow attached instructions in the same sequence as numbered to assure fast & easy assembly.







### WARNING!





1. Don't attempt to repair or modify parts that are broken or defective. Please contact the store immediately.
2. This product is for home use only and not intended for commercial establishments.

## HARDWARE IDENTIFICATION







### Z-B1 (BOX1) - HARDWARE PACK IS LOCATED IN 204531Q (B1)

1	<b>BOLT</b> (5/16" x 50mm - RBW)		8PCS	2	<b>LOCK WASHER</b> (5/16" x 10D x 1.1mm - RBW)		8PCS
3	<b>FLAT WASHER</b> (5/16" x 22D x 2mm - RBW)		8PCS	4	<b>ALLEN WRENCH</b> (4mm - RBW)		1PC

### Z-B3 (BOX3) - HARDWARE PACK IS LOCATED IN 204531Q (B3)

5	<b>BOLT</b> (5/16" x 50mm - RBW)		6PCS	6	<b>LOCK WASHER</b> (5/16" x 10D x 1.1mm - RBW)		6PCS
7	<b>FLAT WASHER</b> (5/16" x 22D x 2mm - RBW)		6PCS	8	<b>ALLEN WRENCH</b> (4mm - RBW)		1PC

### Z-B5 (BOX5) - HARDWARE PACK IS LOCATED IN 204531Q (B5)

9	<b>THREADED BOLT</b> (5/16" x 75mm - RBW)		8PCS	10	<b>HEX NUT</b> (5/16" x 11.8D x 6mm - RBW)		8PCS
11	<b>U-SQUARE WASHER</b> (D174, 5/16" - RBW)		8PCS	12	<b>LOCK WASHER</b> (5/16" x 10D x 1.1mm - RBW)		8PCS
13	<b>FLAT HEAD SCREW</b> (9 x 25mm - RBW)		8PCS	14	<b>WRENCH</b> (12mm - RBW)		1PC

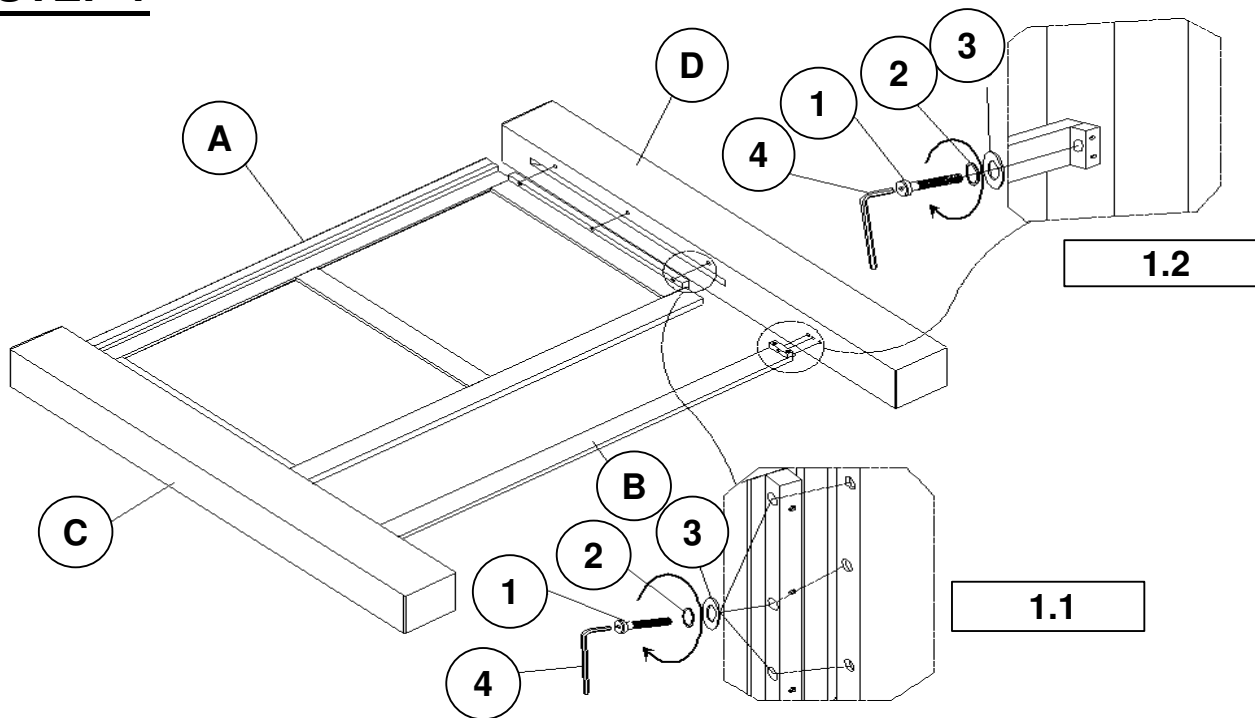
### NOTE:

Phillips head screw driver is required in the assembly process; however, manufacturer does not provide this item.

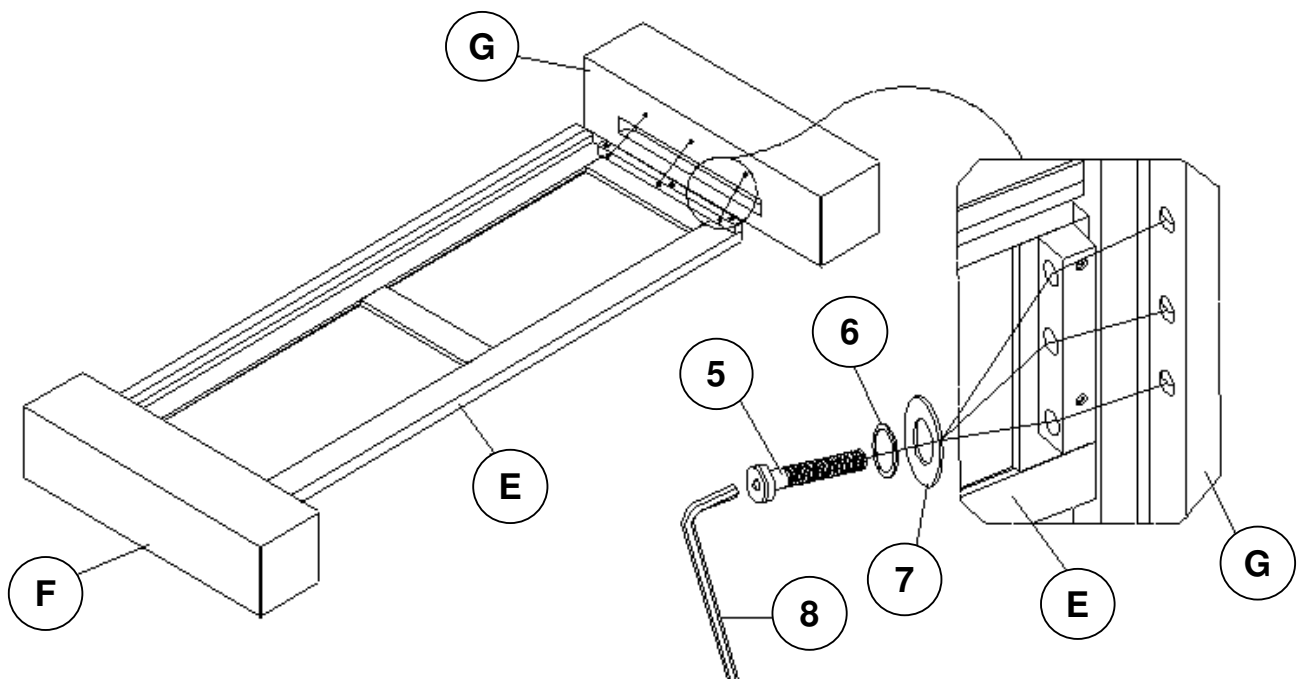
# ITEM: 204531Q (B1-B5)

## ASSEMBLY INSTRUCTIONS

### STEP 1

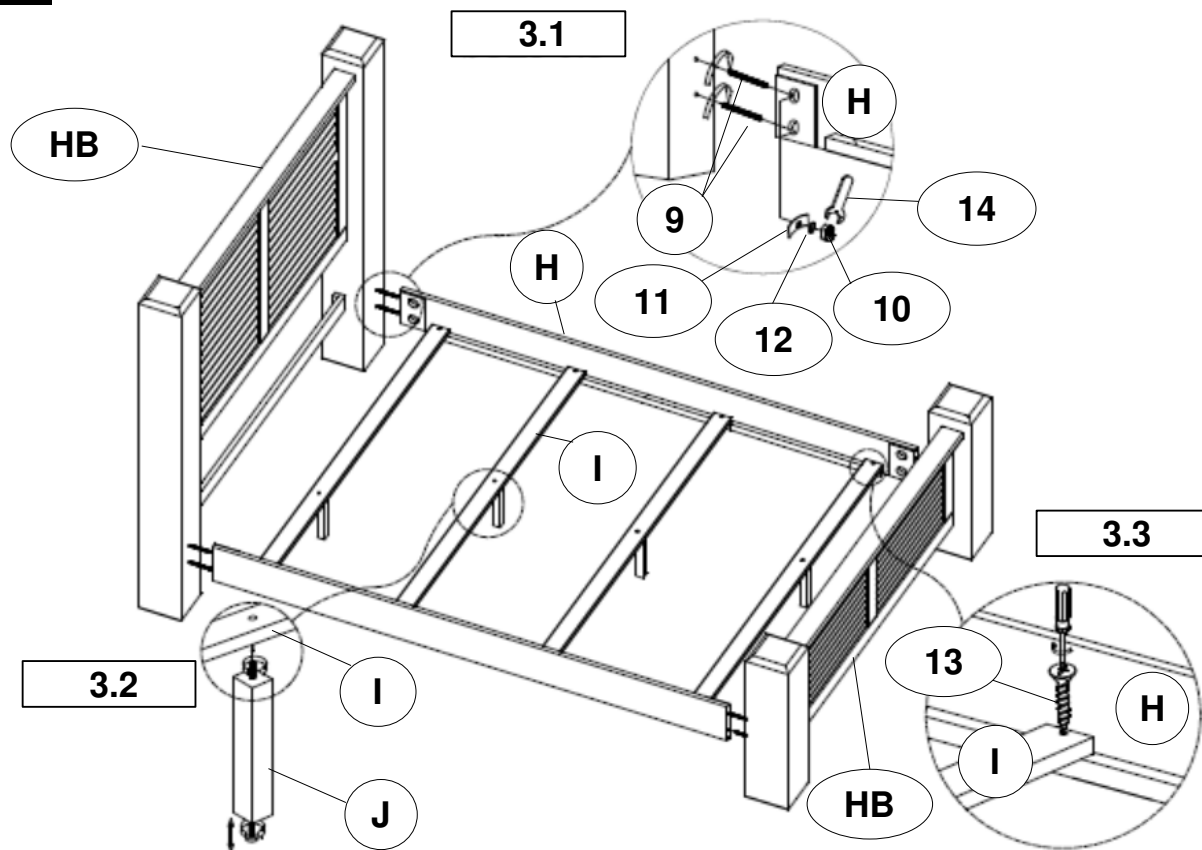


### STEP 2

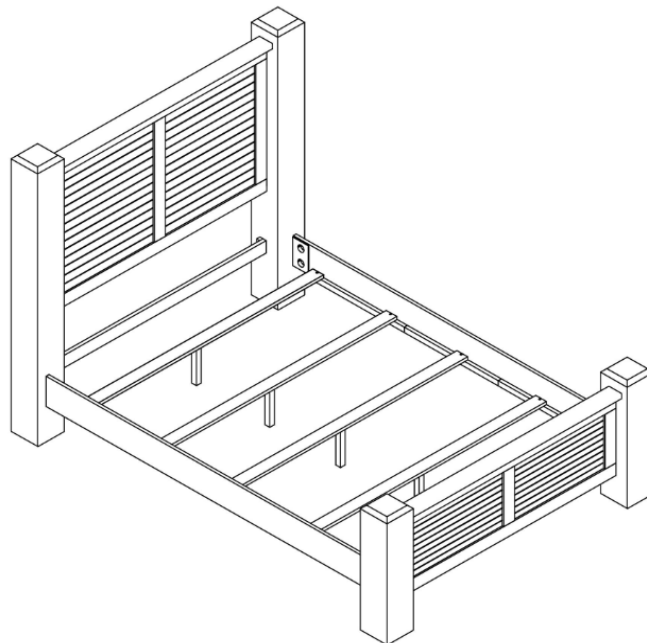


# ITEM: 204531Q (B1-B5)

## STEP 3

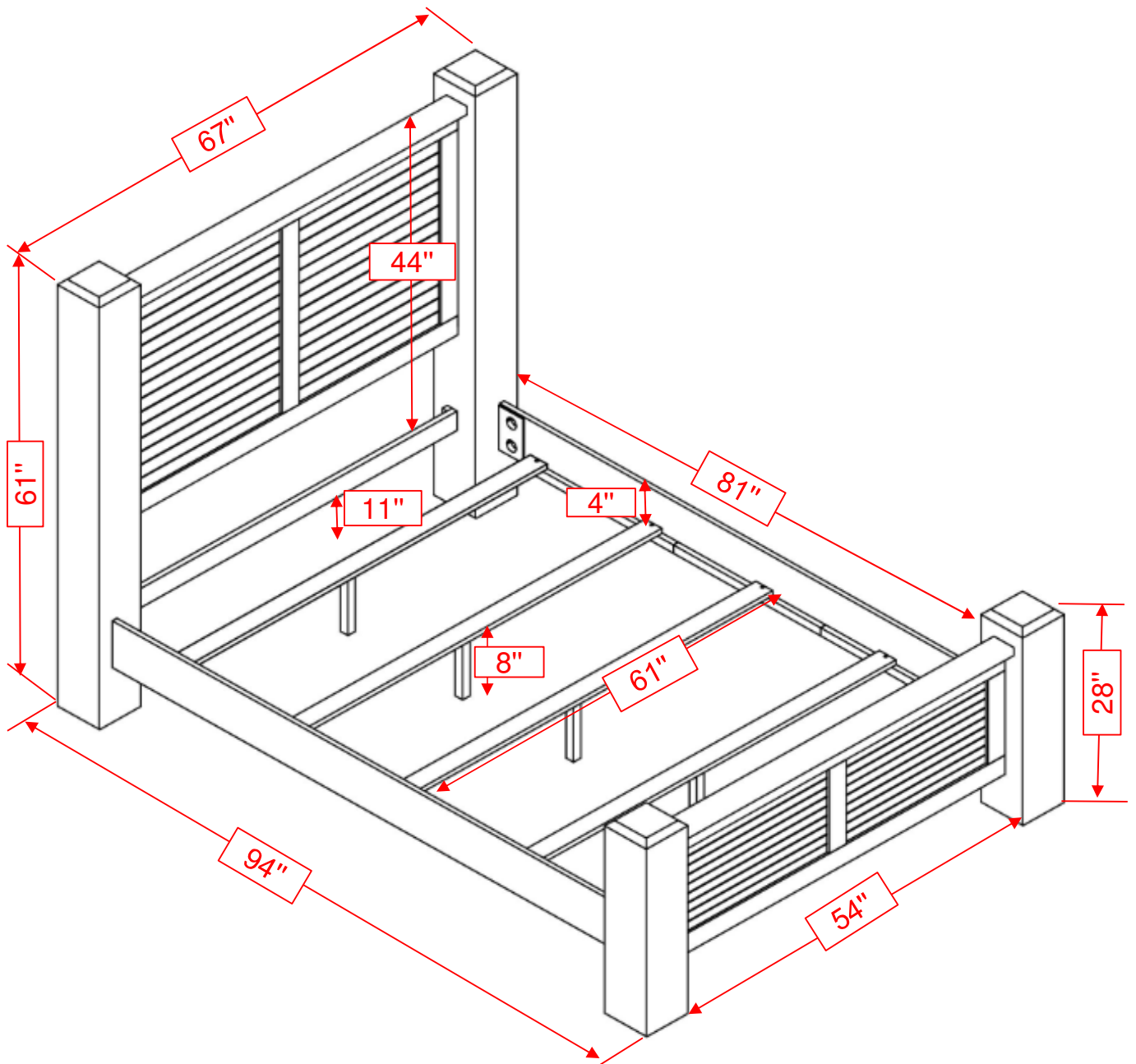


## STEP 4 **COMPLETE**



ITEM: 204531Q (B1-B5)

INNER SIZE : 61.5"x 81"



**Note:** Dimension tolerance  $\pm 5\%$