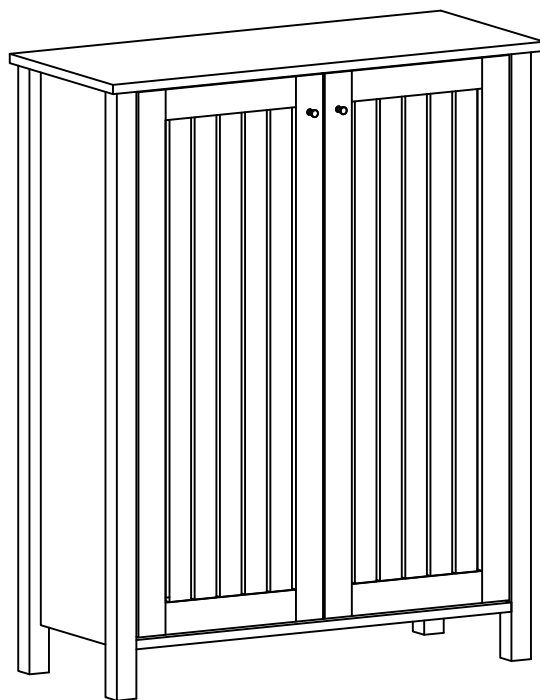


ASSEMBLY INSTRUCTIONS
COASTER FINE FURNITURE



Fine Furniture for every stage of life

950551
Shoe Cabinet

ITEM:950551



ASSEMBLY INSTRUCTIONS

ASSEMBLY TIPS:

- 1.Remove hardware from box and sort by size.
- 2.Please check to see that all hardware and parts are present prior to start of assembly.
- 3.Please follow attached instructions in the same sequence as numbered to assure fast & easy assembly.

Warning !!

1. Don't attempt to repair or modify parts that are broken or defective. Please contact the store immediately.
2. This product is for home use only and not intended for commercial establishment.

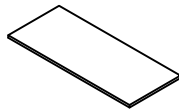


ASSEMBLY TIME

30 MINUTES

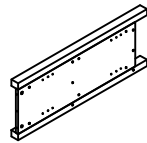
PARTS IDENTIFICATION

(A) TOP



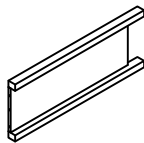
1 PC

(B) LEFT SIDE PANEL



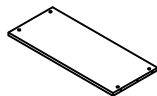
1 PC

(C) RIGHT SIDE PANEL



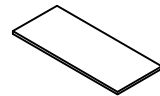
1 PC

(D) FIXED SHELF



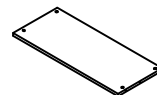
1 PC

(E) ADJUSTABLE SHELF



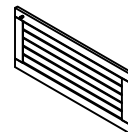
2 PCS

(F) BOTTOM PANEL



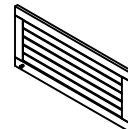
1 PC

(G) LEFT DOOR PANEL



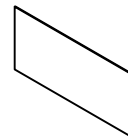
1 PC

(H) RIGHT DOOR PANEL



1 PC

(I) BACK PANEL










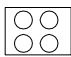

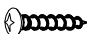

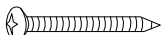


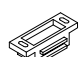




2 PCS

ITEM:950551



HARDWARE IDENTIFICATION

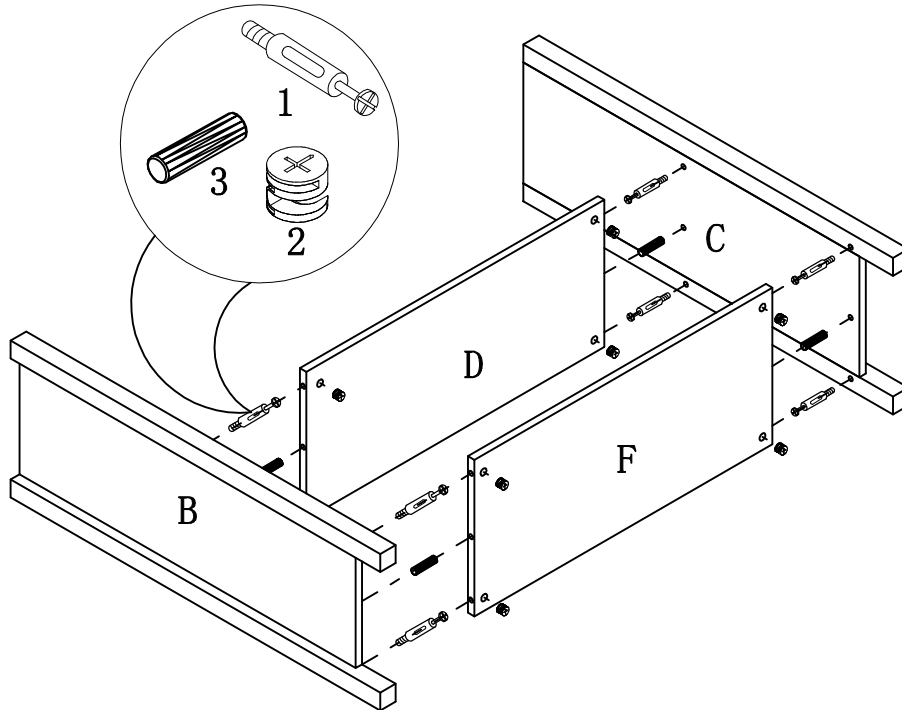
1	CAMBOLT	L29mm		16pcs
2	CAMLOCK	ø15mm		16pcs
3	DOWEL	ø8×25mm		6pcs
4	DOOR PIN			2pcs
5	SMALL SCREW	ø3×14mm		4pcs
6	MEDIUM SCREW	ø3×16mm		4pcs
7	SHELF PIN			8pcs
8	KNOB			2pcs
9	KNOB SCREW	ø4×22mm		2pcs
10	STICKER	ø22mm		18pcs
11	THE RESTRAINT STRAP	197×5×1mm		1 pc
12	LARGE SCREW	ø4x25mm		1 pc
19	BRACKET	12×12×1mm		2pcs
13	WALL SCREW	ø5×40mm		1 pc
14	PLASTIC WALL ANCHOR	ø8×40mm		1 pc
15	NAIL			30pcs
16	DOOR CATCH			2pcs
17	DOOR CATCH PIECE			2pcs
18	GLUE			1pc

ITEM: 950551

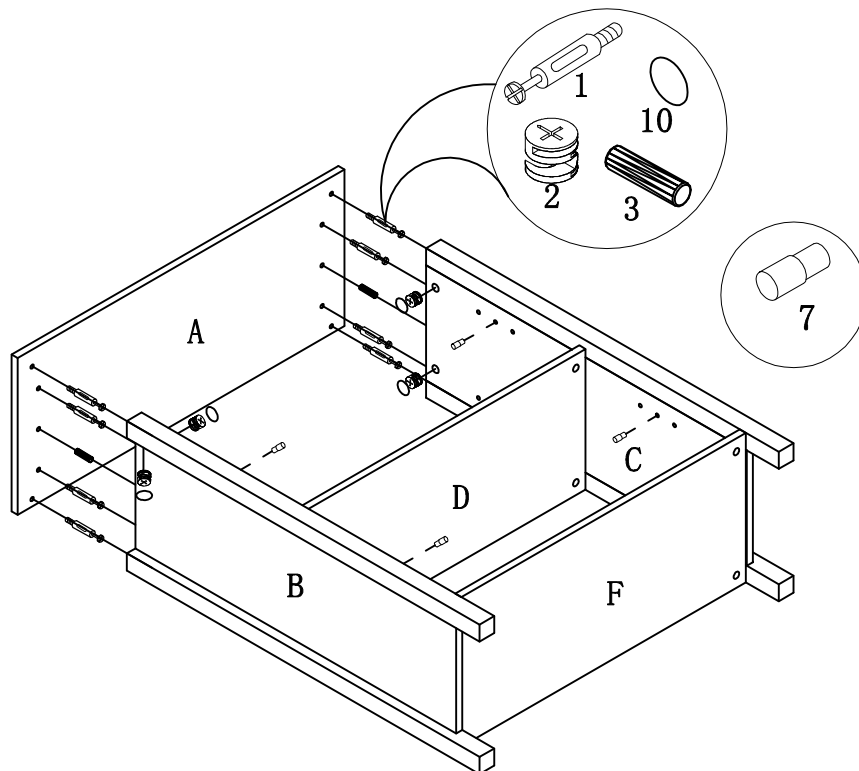
ASSEMBLY INSTRUCTIONS



STEP 1



STEP 2

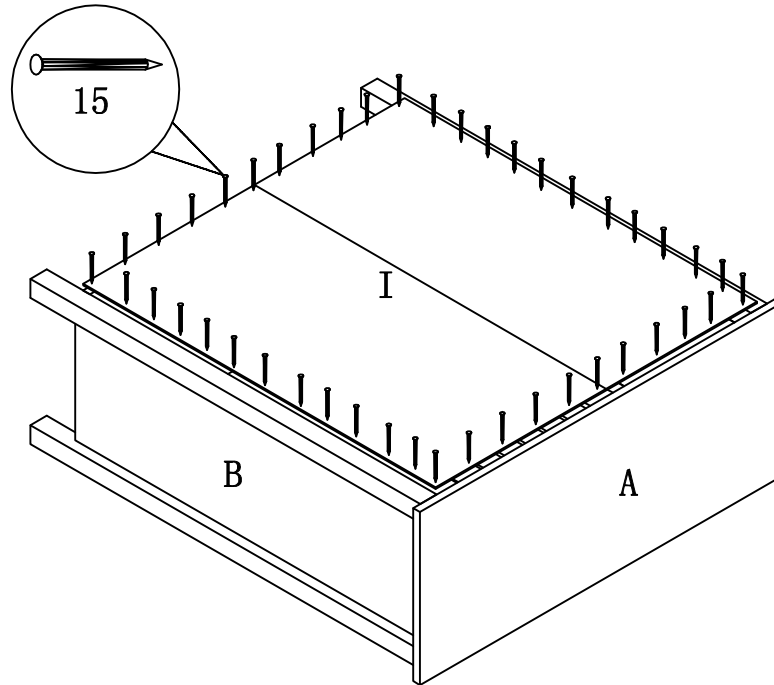


ITEM: **950551**

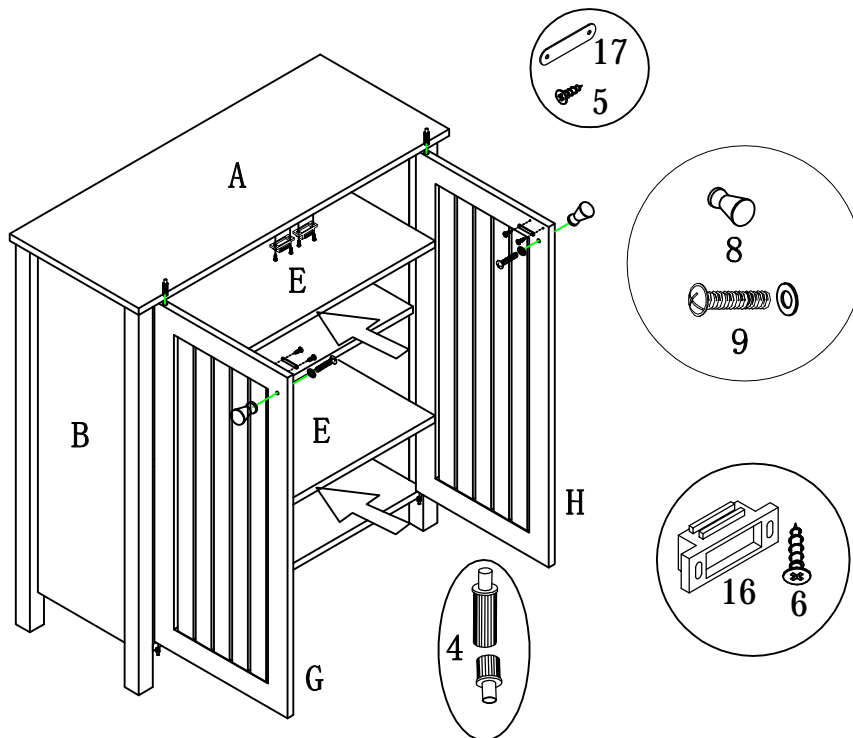
ASSEMBLY INSTRUCTIONS



STEP 3

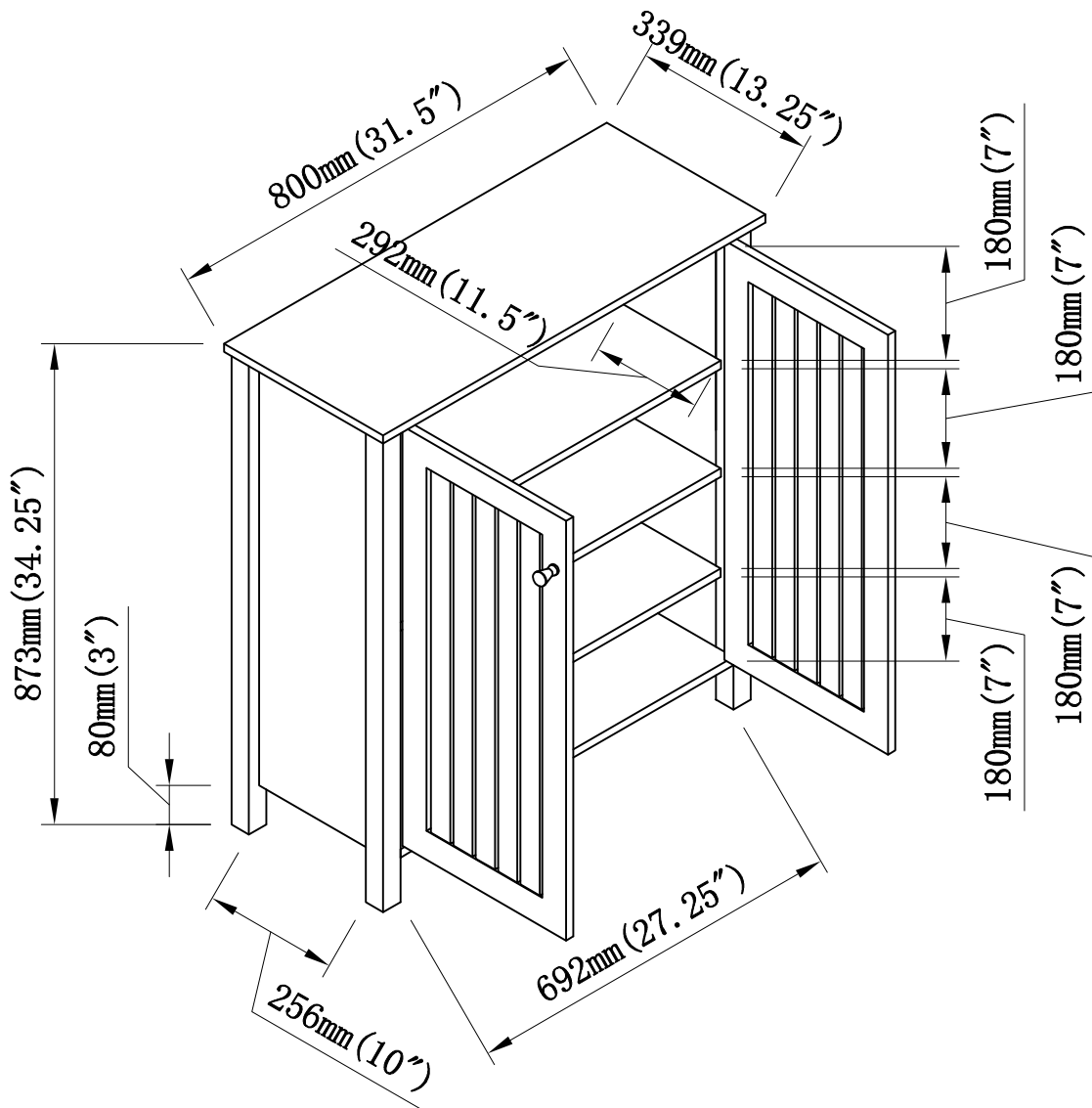


STEP 4



ITEM: **950551**

DIMENSION



ITEM:950551



ANTI-TIPPING INSTALLMENT INSTRUCTIONS

FURNITURE TIPPING RESTRAINT

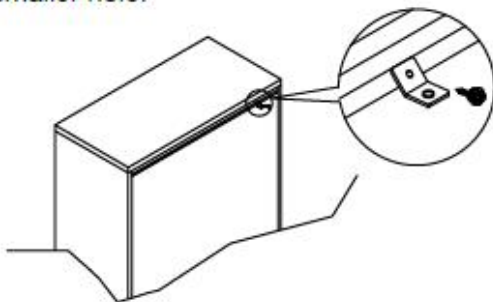
WARNING

Injury may result from tipping furniture.
This restraint may protect against tipping furniture.
Do not allow children to climb on furniture.
This restraint is not a substitute for proper adult supervision.
Failure to detach this restraint before moving the furniture may result in injury and damage.

This tip restraint must be attached to a wall stud using long screw enclosed.

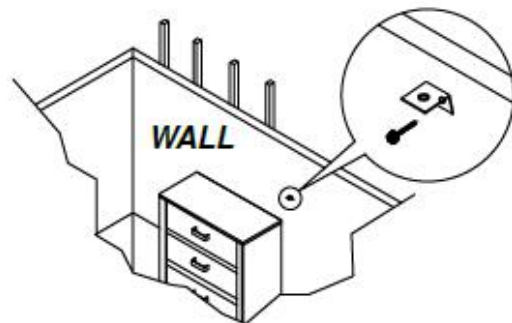
STEP 1

Attach a bracket securely to the back top rail to the furniture using short screw provided, through the smaller hole.



STEP 2

Locate the other bracket on the wall over a wall stud and two inches below the mounting bracket secured to the back of the furniture. Attach the wall stud using the long screw provided, through the smaller hole.



STEP 3

Place the furniture into position so both mounting brackets are vertically in line. Lace the end of the restraint strap through the larger hole in each mounting bracket. Bring both ends together and slide the flat end through the locking and draw it until all slack is removed. Confirm that the strap is securely laced and locked.

