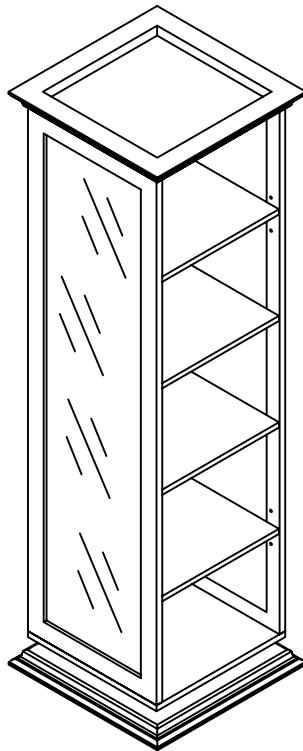


ASSEMBLY INSTRUCTIONS
COASTER FINE FURNITURE



Fine Furniture for every stage of life

910080
Swivel Cabinet

ITEM: 910080



ASSEMBLY INSTRUCTIONS

ASSEMBLY TIPS:

1. Remove hardware from box and sort by size.
2. Please check to see that all hardware and parts are present prior to start of assembly.
3. Please follow attached instructions in the same sequence as numbered to assure fast & easy assembly.



WARNING!

1. Don't attempt to repair or modify parts that are broken or defective. Please contact the store immediately.
2. This product is for home use only and not intended for commercial establishments.



ASSEMBLY TIME

50 MINUTES

PARTS IDENTIFICATION

A	TOP PANEL		1PC	F	MIRROR PANEL		1PC
B	BOTTOM PANEL		1PC	G	CORK BOARD PANEL		1PC
C	BASE PANEL		1PC	H	BACK PANEL		1PC
D	DIVIDER PANEL		2PCS	I	SWIVEL PLATE		1PC
E	SHELF		2PCS				

HARDWARE IDENTIFICATION

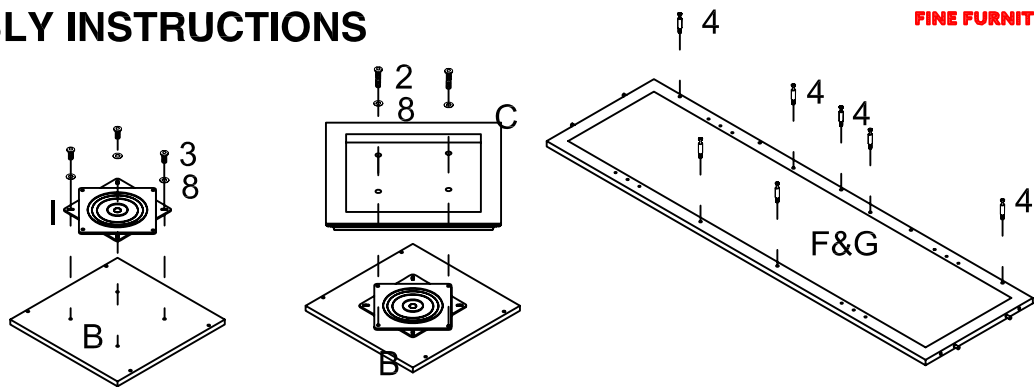
1	BOLT (1/4" x 1-1/2")		8PCS	10	SCREW (3 x 14mm)		6PCS
2	BOLT (1/4" x 1")		4PCS	11	FLAT WASHER (1/4" x 19mm)		16PCS
3	BOLT (1/4" x 1/2")		4PCS	12	GLUE (20g)		1PC
4	CAM-BOLT (Ø6 x 38mm)		14PCS	13	COVER (Ø18mm)		14PCS
5	CAM-LOCK (Ø15mm)		14PCS	14	GLASS SUPPORT (Ø6.2mm)		8PCS
6	HOOK (60mm)		3PCS	15	ALLEN WRENCH (4mm)		1PC

ITEM: **910080**

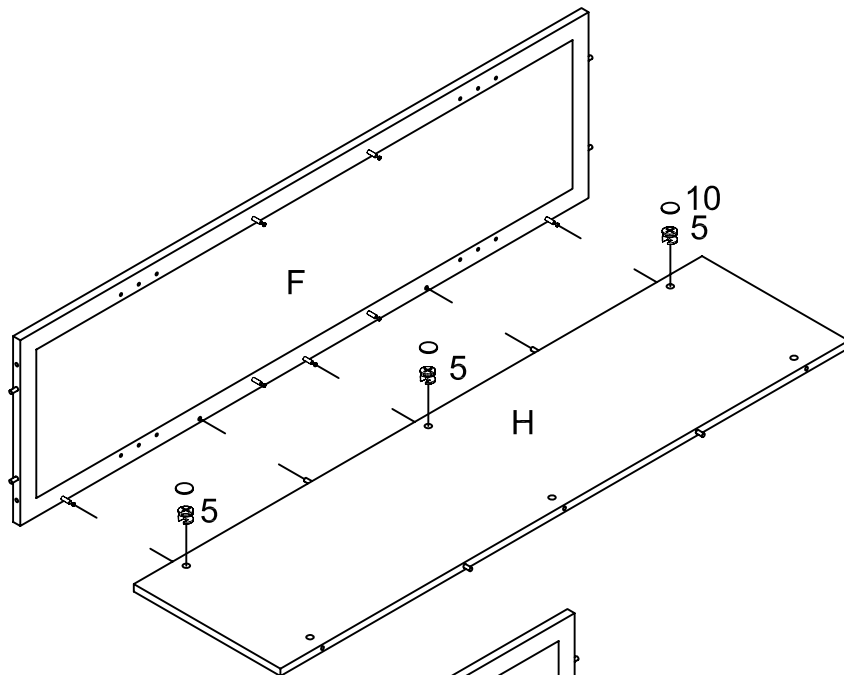


ASSEMBLY INSTRUCTIONS

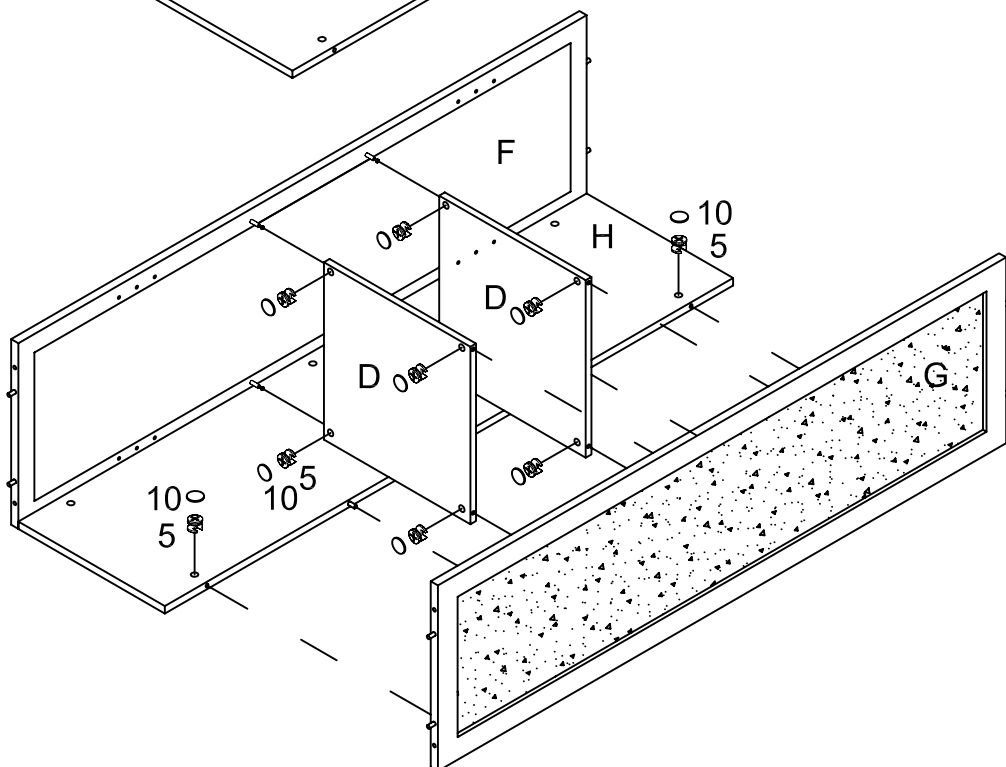
STEP 1



STEP 2



STEP 3

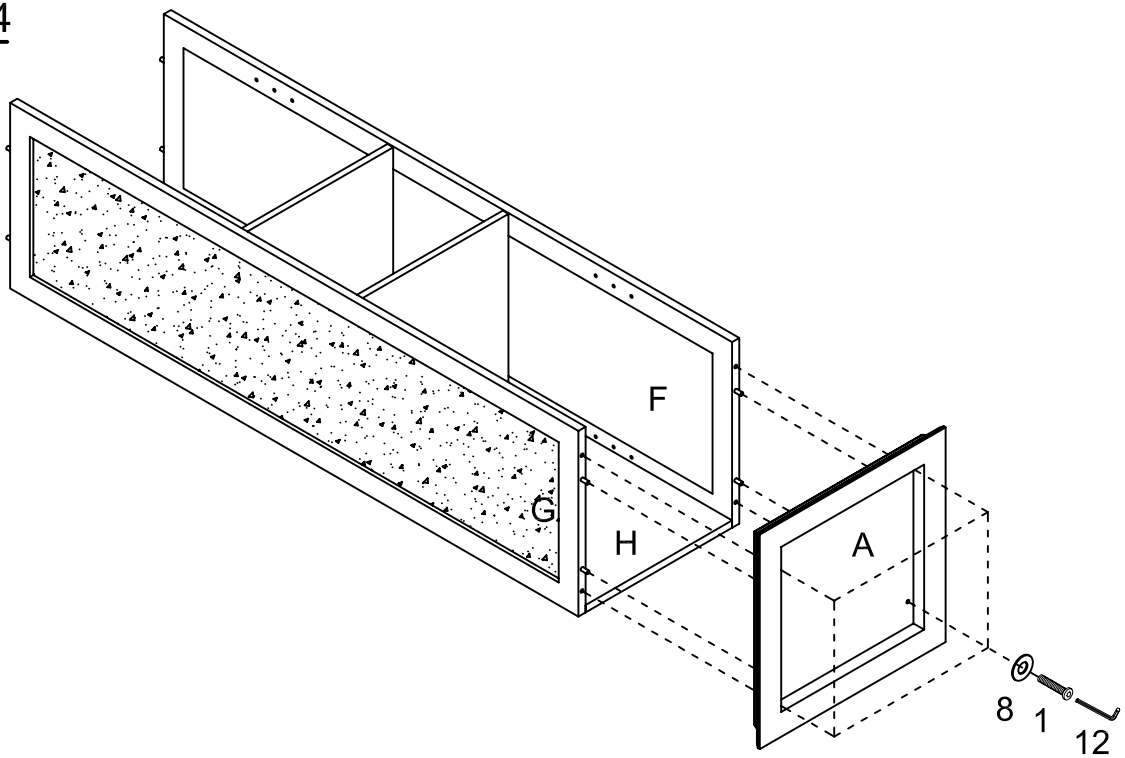


ITEM: **910080**

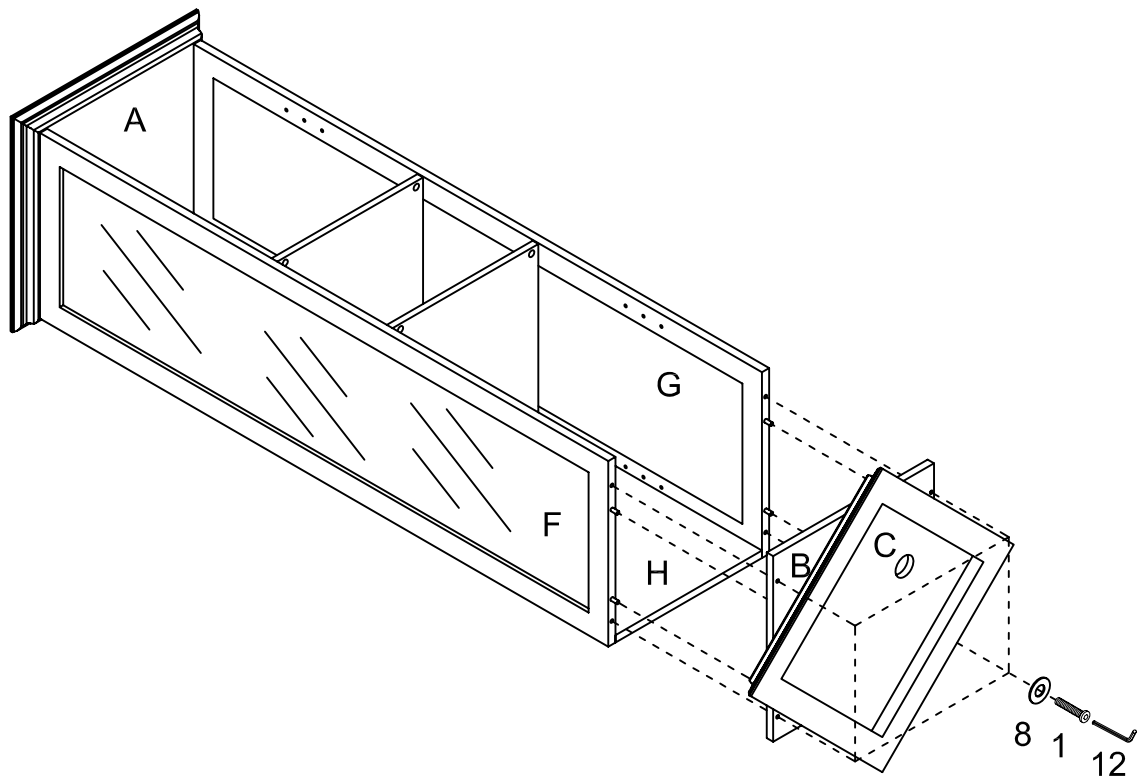


ASSEMBLY INSTRUCTIONS

STEP 4



STEP 5

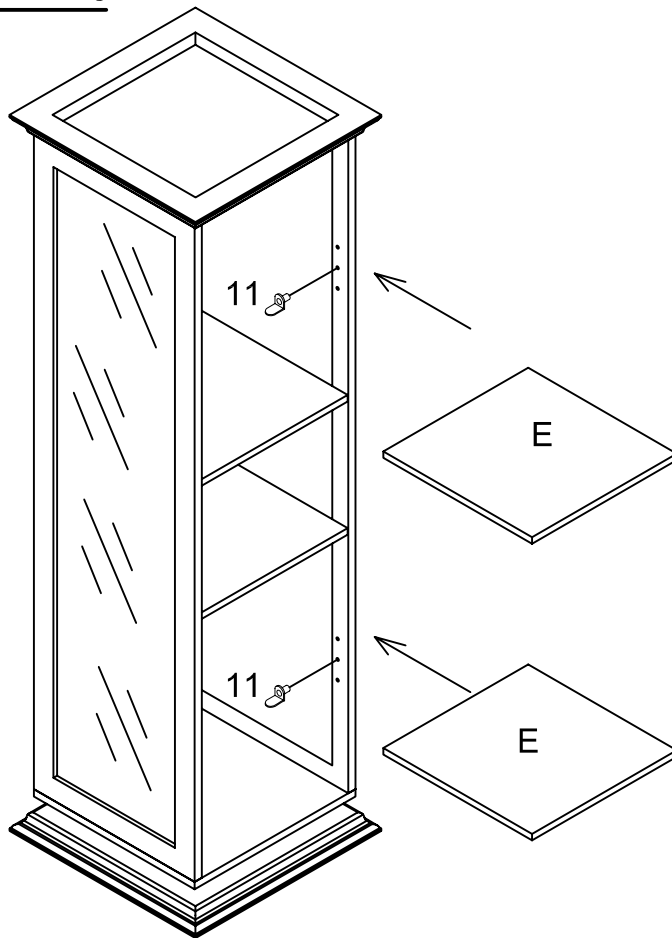


ITEM: **910080**

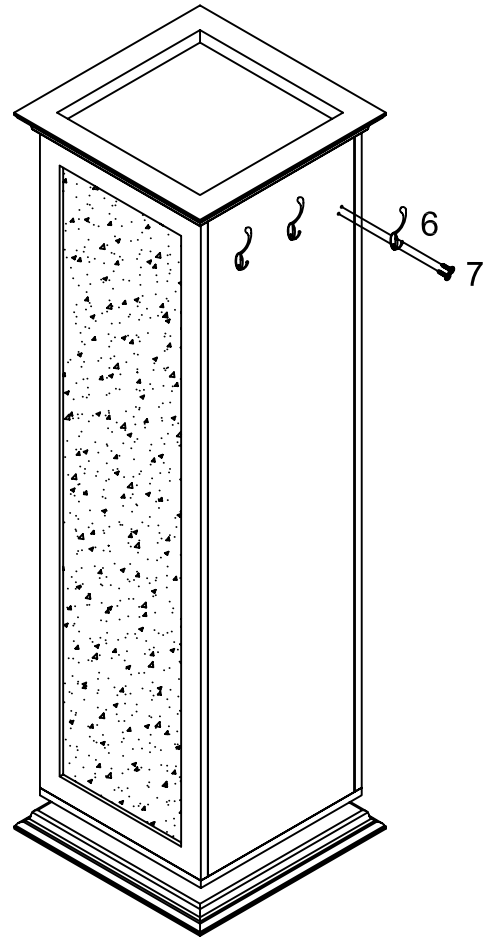


ASSEMBLY INSTRUCTIONS

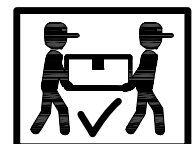
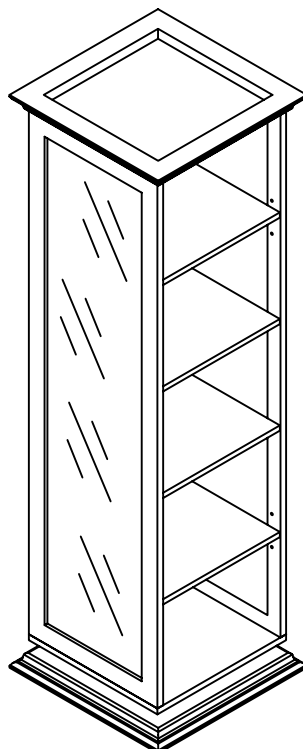
STEP 6



STEP 7



STEP 8
COMPLETE



ITEM: **910080**

ASSEMBLY INSTRUCTIONS

