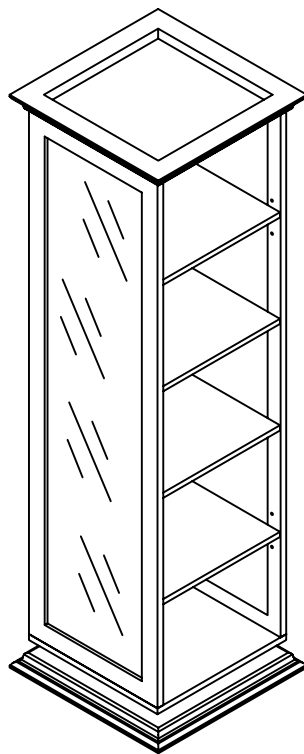


*ASSEMBLY INSTRUCTIONS*  
*COASTER FINE FURNITURE*



*Fine Furniture for every stage of life*

**910083**  
***Swivel Cabinet***

ITEM: **910083**



## ASSEMBLY INSTRUCTIONS

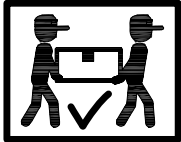
### ASSEMBLY TIPS:

1. Remove hardware from box and sort by size.
2. Please check to see that all hardware and parts are present prior to start of assembly.
3. Please follow attached instructions in the same sequence as numbered to assure fast & easy assembly.



### WARNING!


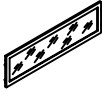







1. Don't attempt to repair or modify parts that are broken or defective. Please contact the store immediately.
2. This product is for home use only and not intended for commercial establishments.















ASSEMBLY TIME

50 MINUTES

## PARTS IDENTIFICATION

A	TOP PANEL		1PC	F	MIRROR PANEL		1PC
B	BOTTOM PANEL		1PC	G	CORK BOARD PANEL		1PC
C	BASE PANEL		1PC	H	BACK PANEL		1PC
D	DIVIDER PANEL		2PCS	I	SWIVEL PLATE		1PC
E	SHELF		2PCS				

## HARDWARE IDENTIFICATION

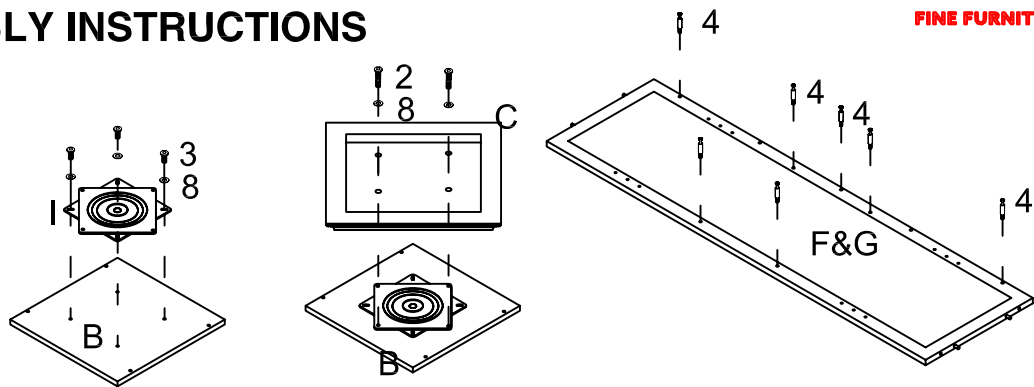
1	<b>BOLT</b> (1/4" x 1-1/2")		8PCS	10	<b>SCREW</b> (3 x 14mm)		6PCS
2	<b>BOLT</b> (1/4" x 1")		4PCS	11	<b>FLAT WASHER</b> (1/4" x 19mm)		16PCS
3	<b>BOLT</b> (1/4" x 1/2")		4PCS	12	<b>GLUE</b> (20g)		1PC
4	<b>CAM-BOLT</b> (Ø6 x 38mm)		14PCS	13	<b>COVER</b> (Ø18mm)		14PCS
5	<b>CAM-LOCK</b> (Ø15mm)		14PCS	14	<b>GLASS SUPPORT</b> (Ø6.2mm)		8PCS
6	<b>HOOK</b> (60mm)		3PCS	15	<b>ALLEN WRENCH</b> (4mm)		1PC

ITEM: **910083**

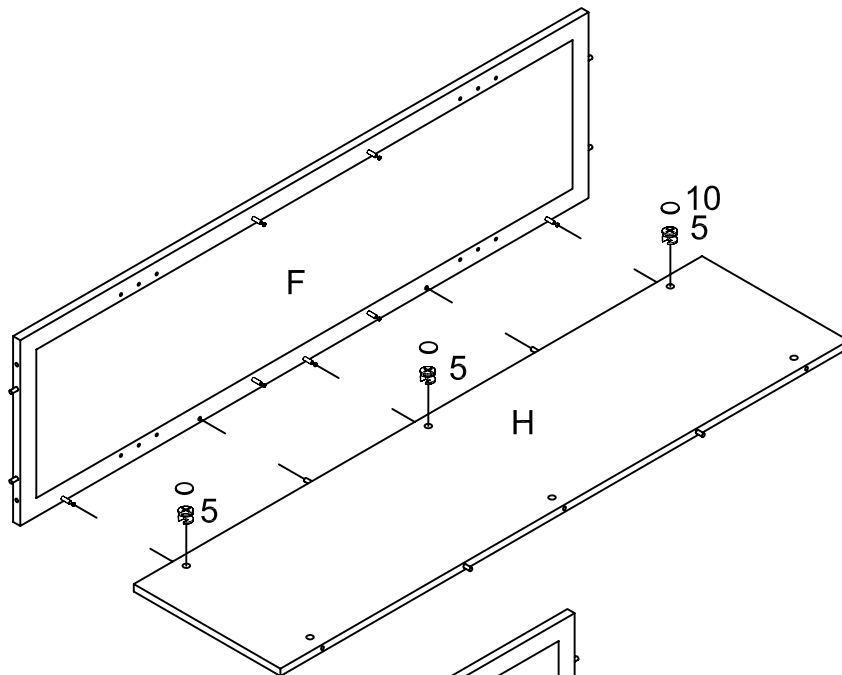


**ASSEMBLY INSTRUCTIONS**

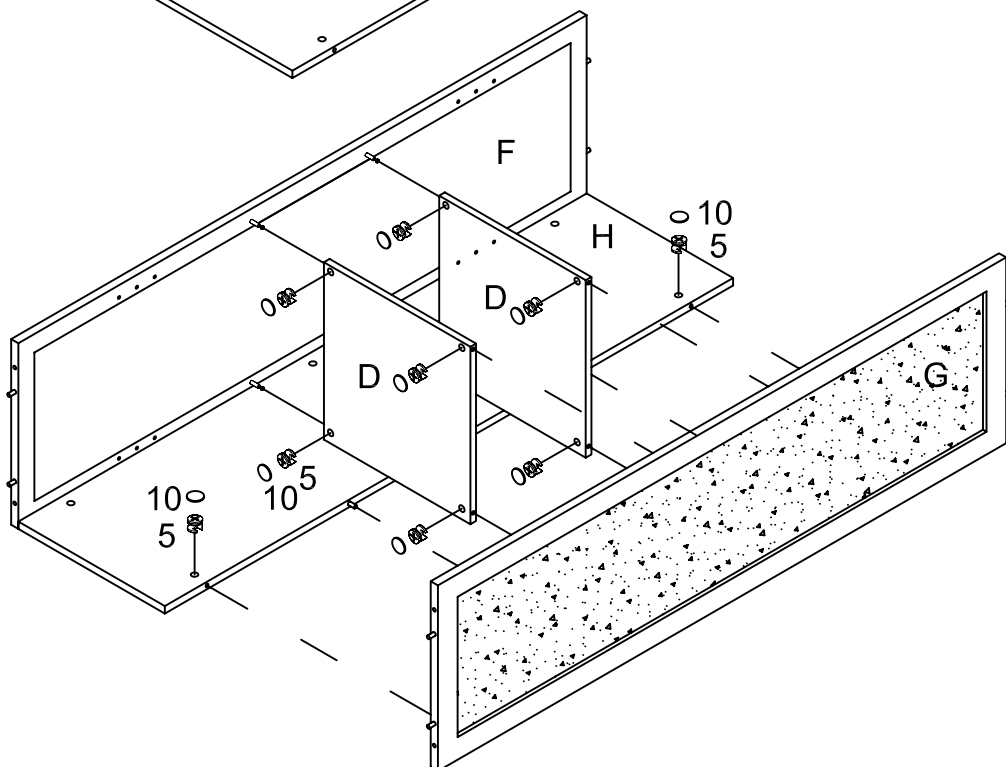
STEP 1



STEP 2



STEP 3

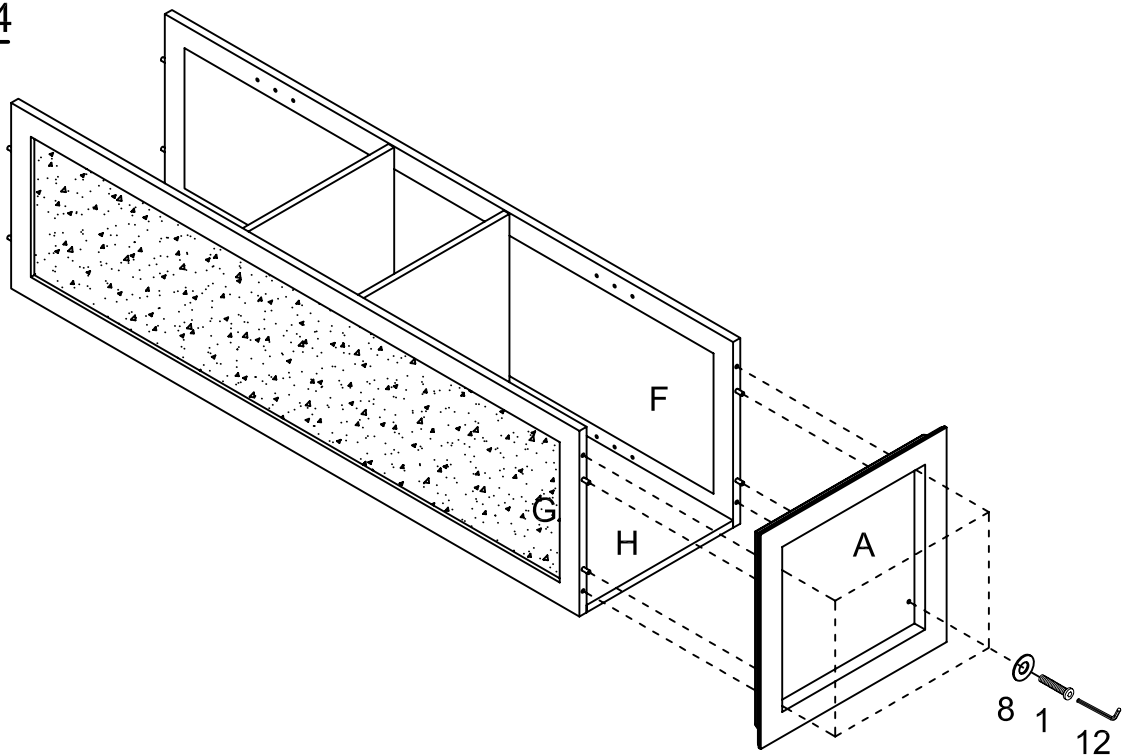


ITEM: **910083**

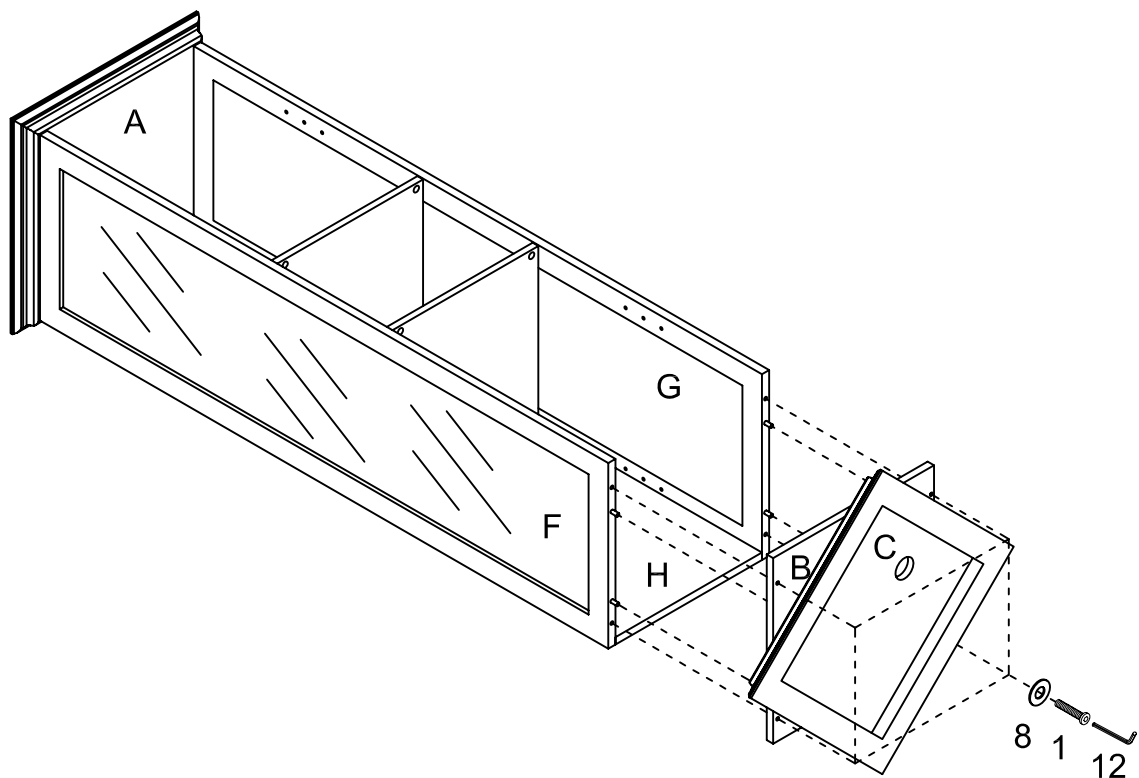


**ASSEMBLY INSTRUCTIONS**

STEP 4



STEP 5

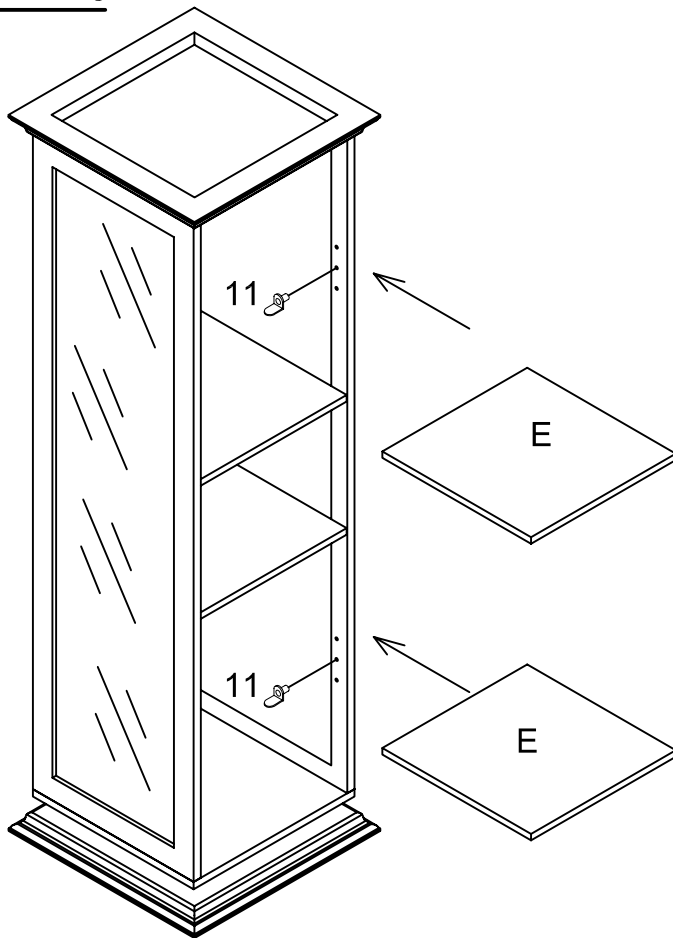


ITEM: **910083**

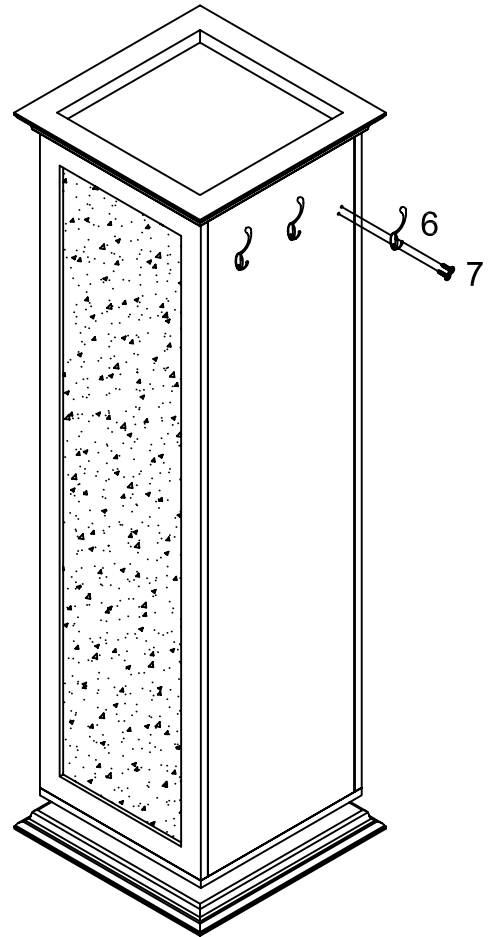


**ASSEMBLY INSTRUCTIONS**

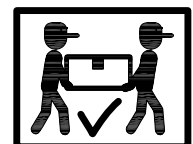
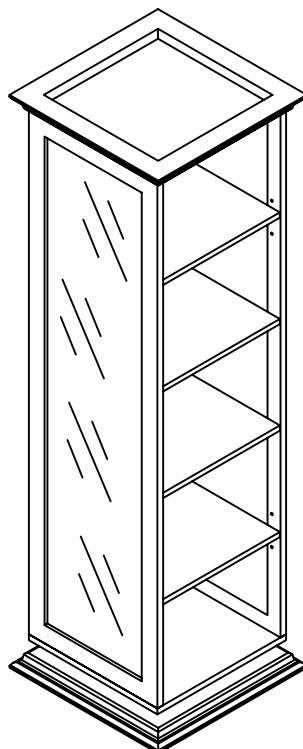
STEP 6



STEP 7



STEP 8  
**COMPLETE**



ITEM: **910083**

**ASSEMBLY INSTRUCTIONS**

