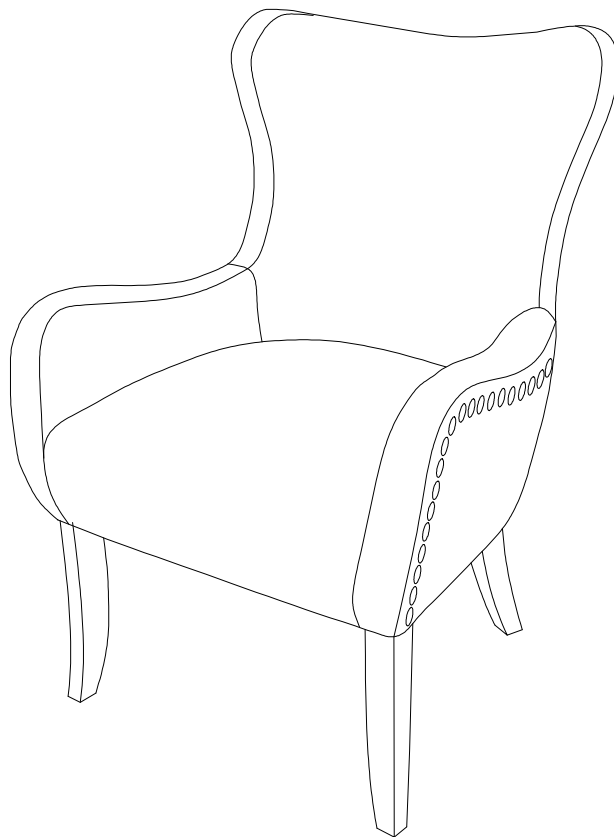




ASSEMBLY INSTRUCTIONS COASTER FINE FURNITURE



Fine Furniture for every stage of life

902504
Accent Chair

REVISION 0 : 01/03/2019
REVISION 1 : 06/10/2019
REVISION 2 : 09/23/2019

ITEM:902504



ASSEMBLY INSTRUCTIONS

ASSEMBLY TIPS:

1. Remove hardware from box and sort by size.
2. Please check to see that all hardware and parts are present prior start of assembly.
3. Please follow attached instructions in the same sequence as numbered to assure fast & easy assembly.




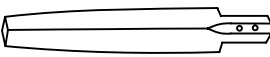

WARNING!

1. Don't attempt to repair or modify parts that are broken or defective. Please contact the store immediately.
2. This product is for home use only and not intended for commercial establishment.




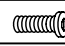

ASSEMBLY TIME

10 MINUTES

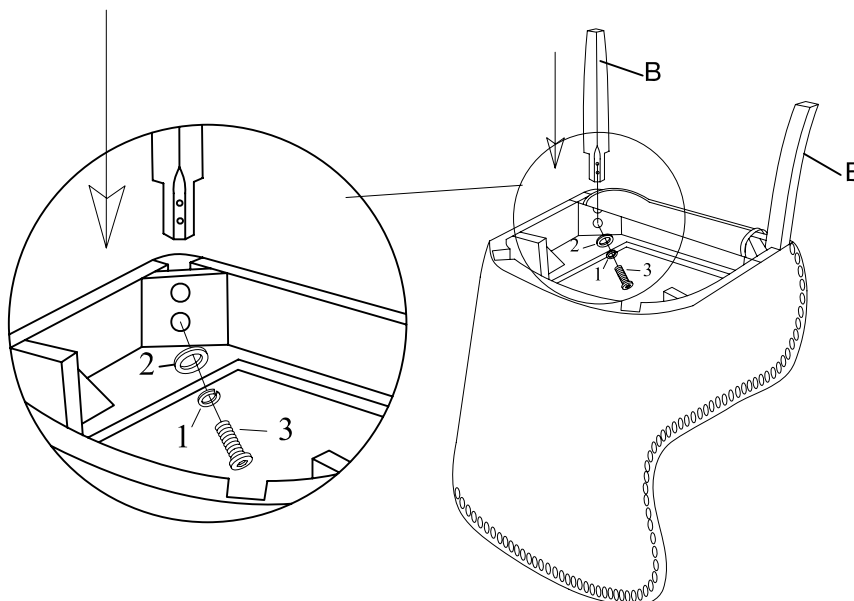
PARTS IDENTIFICATION

- A CHAIR 1PC
- 
- B FRONT LEG 2PCS
- 
- C BACK LEG 2PCS
- 

Z HARDWARE IDENTIFICATION

NO	DESCRIPTION	FIGURE	Q' TY
1	ØLOCK WASHER 5/16"		8PCS
2	ØFLAT WASHER 5/16"		8PCS
3	ØBOLT 5/16X2-1/4"		4PCS
4	ØBOLT 5/16X2"		4PCS
5	ØALLEN KEY 5mm		1PC

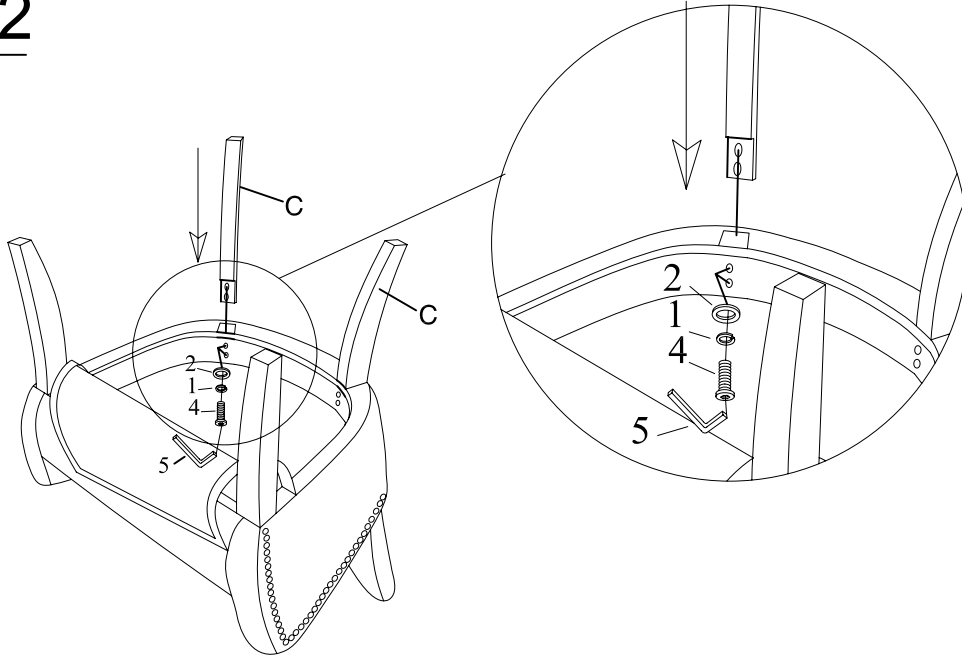
STEP: 1



ITEM:902504

ASSEMBLY INSTRUCTIONS

STEP: 2



STEP: 3

