

**ASSEMBLY INSTRUCTION
COASTER FINE FURNITURE**



900994
SIDE TABLE

Assembly Instruction

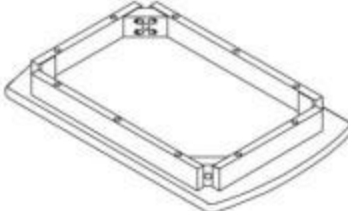
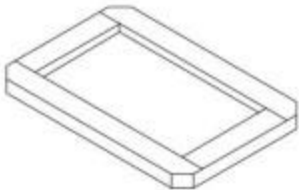

ASSEMBLY TIPS:







1. Remove hardware from box and sort by size.
2. Please check to see that all hardware and parts are present prior to start of assembly.
3. Please follow attached instructions in the same sequence as numbered to assure fast & easy assembly.

Warning!

1. Don't attempt to repair or modify parts that are broken or defective. please contact the store immediately.
2. This product is for home use only and not intended for commercial establishment.

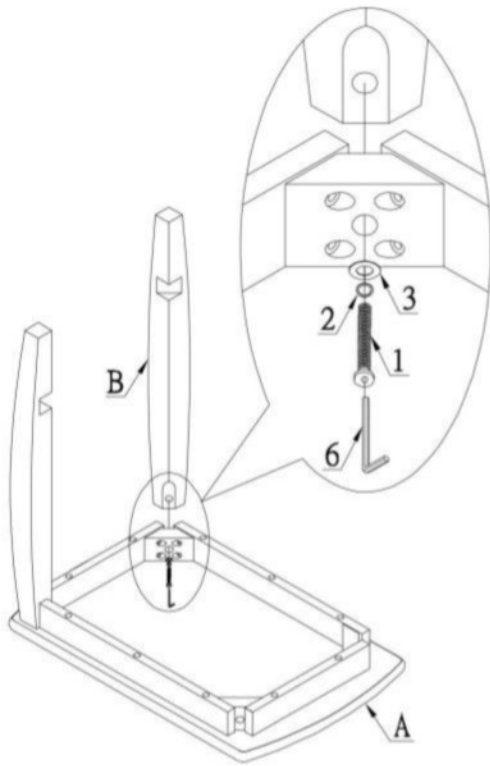
PARTS IDENTIFICATION

(A)	TABLE TOP		1PC
(B)	BOTTOM SHELF		1PC
(C)	LEG		4PCS

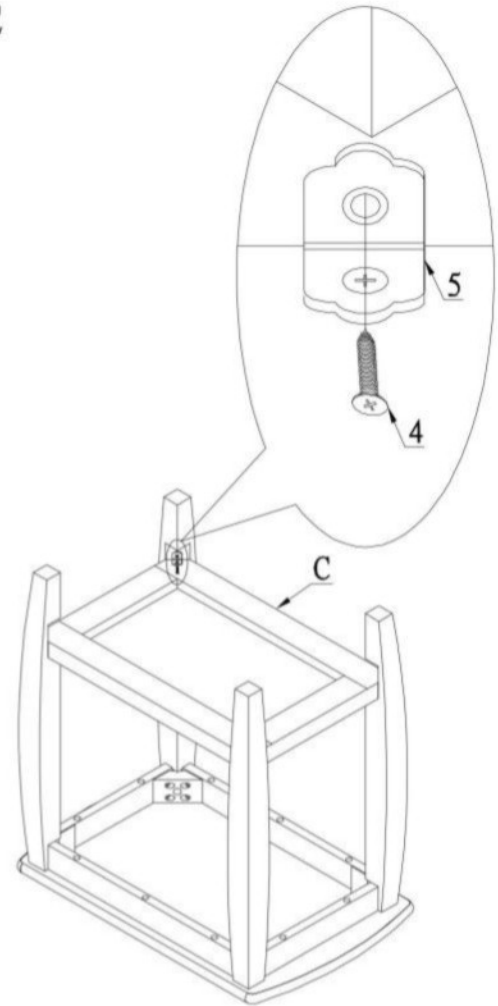
Z	HARDWARE PACKAGE		
	DESCRIPTION	FIGURE	Q'TY
1	Bolt ϕ 5/16X2"		4PCS
2	Spring Washer ϕ 5/16		4PCS
3	Flat Washer ϕ 19mm		4PCS
4	Screw 6#X16mm		8PCS
5	Angle brace		4PCS
6	Allen Wrench 4mm		1PC

ITEM:900994

STEP 1



STEP 2



STEP 3

