

ASSEMBLY INSTRUCTIONS
COASTER FINE FURNITURE



Fine Furniture for every stage of life

705697
End Table

ITEM: 705697



ASSEMBLY INSTRUCTIONS

ASSEMBLY TIPS:

1. Remove hardware from box and sort by size.
2. Please check to see that all hardware and parts are present prior to start of assembly.
3. Please follow attached instructions in the same sequence as numbered to assure fast & easy assembly.

Warning !!

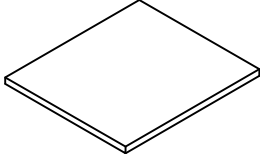
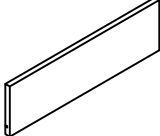
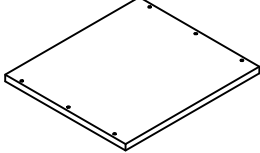
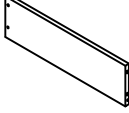
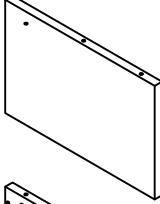
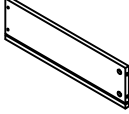
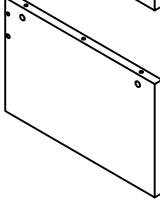
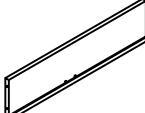
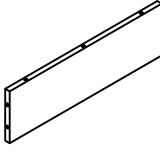
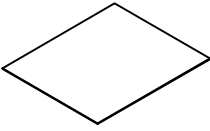
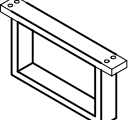

1. Don't attempt to repair or modify parts that are broken or defective. Please contact the store immediately.
2. This product is for home use only and not intended for commercial establishment.



ASSEMBLY TIME

30 MINUTES



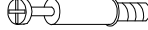



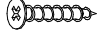




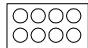
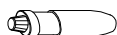
PARTS IDENTIFICATION

(A) TOP		1 PC	(G) DRAWER FRONT PANEL		1 PC
(B) BOTTOM PANEL		1 PC	(H) DRAWER LEFT SIDE PANEL		1 PC
(C) LEFT SIDE PANEL		1 PC	(I) DRAWER RIGHT SIDE PANEL		1 PC
(D) RIGHT SIDE PANEL		1 PC	(J) DRAWER BACK PANEL		1 PC
(E) BACK PANEL		1 PC	(K) DRAWER BOTTOM PANEL		1 PC
(F) LEG FRAME		2 PCS	(L) DRAWER BOTTOM SUPPORT		1 PC

ITEM:705697



HARDWARE IDENTIFICATION

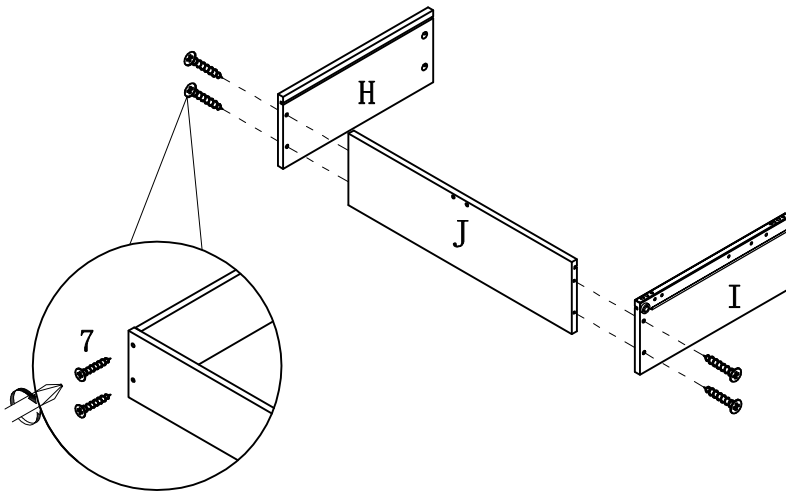
1	LARGE CAMBOLT	L29mm		8pcs
2	LARGE CAMLOCK	Ø15mm		8pcs
3	SMALL CAMBOLT	L20mm		4pcs
4	SMALL CAMLOCK	ET12mm		4pcs
5	LONG DOWEL	Ø8×25mm		7pcs
6	SHORT DOWEL	Ø6×30mm		2pcs
7	SCREW	Ø4x30mm		6pcs
8	WOOD SCREW	Ø7x48mm		4pcs
9	WASHER	Ø8X16X2mm		4pcs
10	WRENCH	M4mm		1pc
11	INNER HEX SCREW	M6x25mm		8pcs
12	STICKER	Ø22mm		8pcs
13	GLUE			1pc

ITEM: **705697**

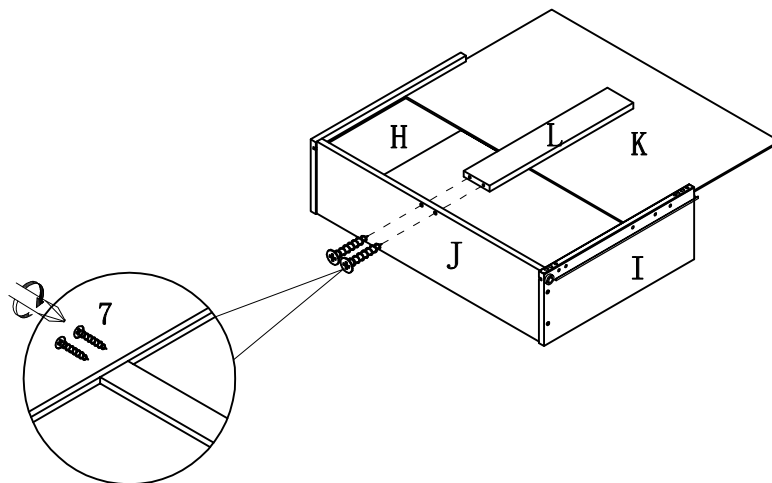
ASSEMBLY INSTRUCTIONS



STEP 1



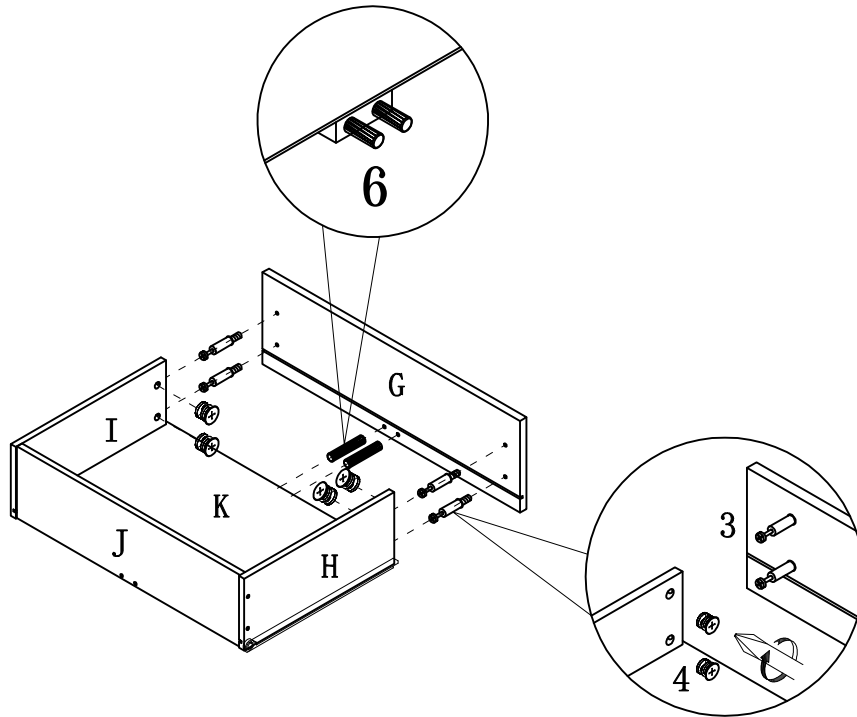
STEP 2



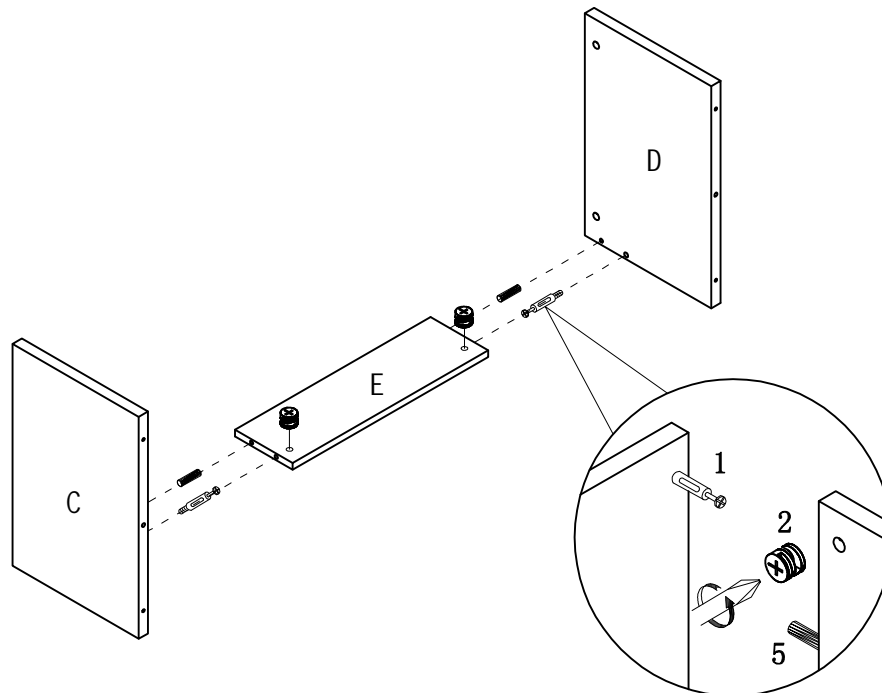
ITEM: **705697**

ASSEMBLY INSTRUCTIONS

STEP 3



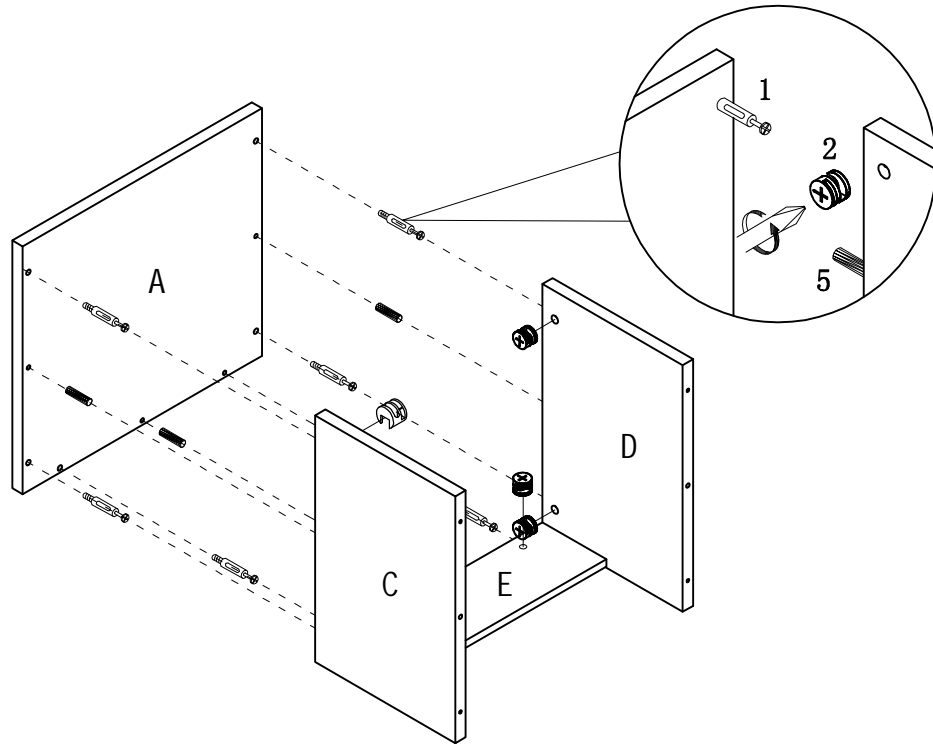
STEP 4



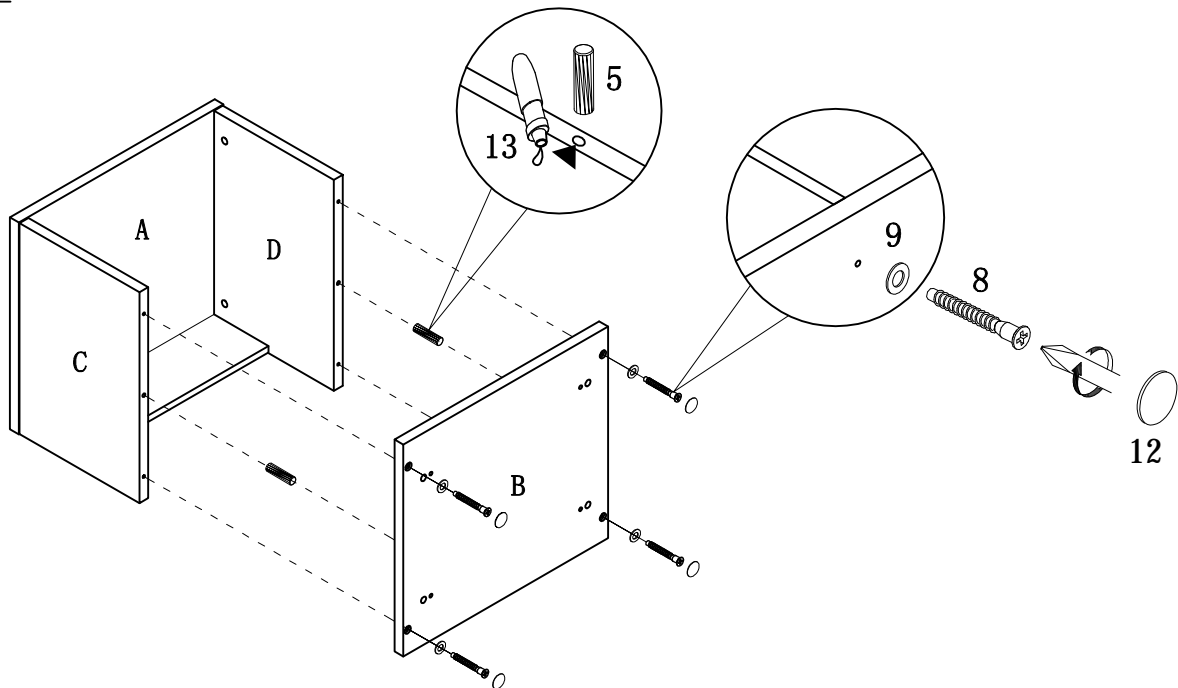
ITEM: **705697**

ASSEMBLY INSTRUCTIONS

STEP 5



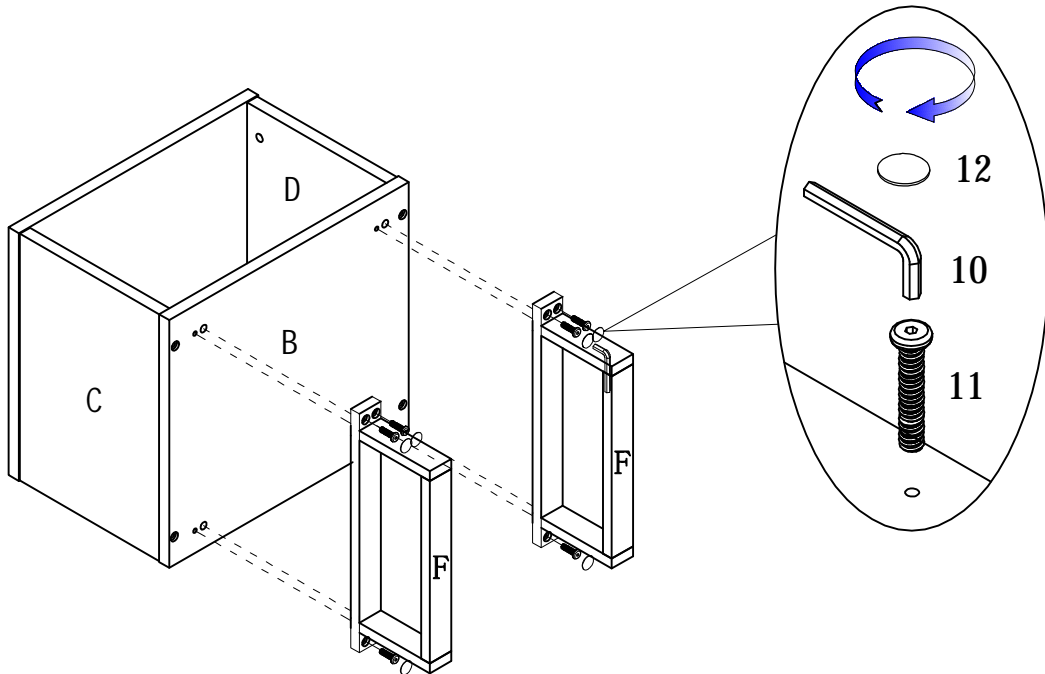
STEP 6



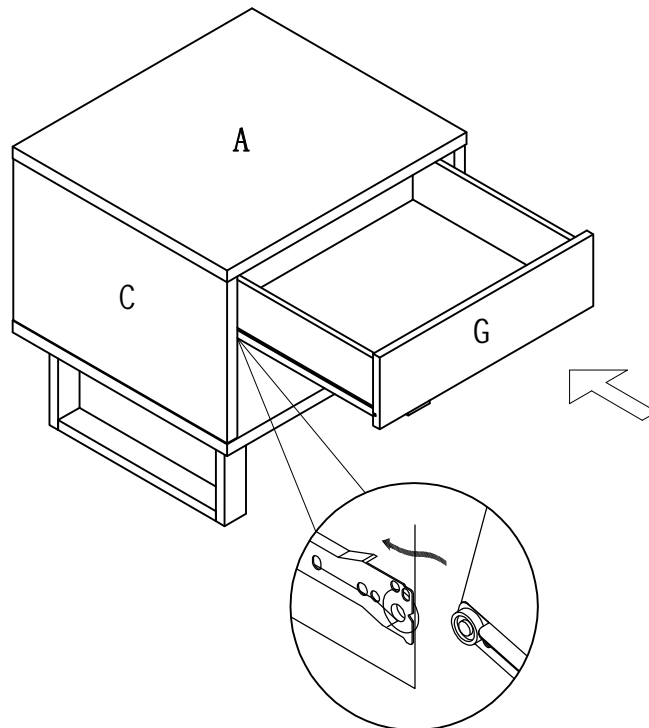
ITEM: **705697**

ASSEMBLY INSTRUCTIONS

STEP 7



STEP 8



ITEM: 705697

DIMENSION

