

ASSEMBLY INSTRUCTIONS
COASTER FINE FURNITURE



Fine Furniture for every stage of life

705017 (B1-B3)
END TABLE

ASSEMBLY INSTRUCTIONS

ASSEMBLY TIPS:

1. Remove hardware from box and sort by size.
2. Please check to see that all hardware and parts are present prior to start of assembly.
3. Please follow attached instructions in the same sequence as numbered to assure fast & easy assembly.



WARNING!

1. Don't attempt to repair or modify parts that are broken or defective. Please contact the store immediately.
2. This product is for home use only and not intended for commercial establishments.



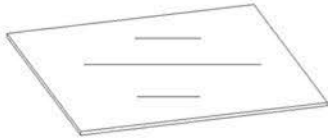
ASSEMBLY TIME

10 MINUTES

PARTS IDENTIFICATION

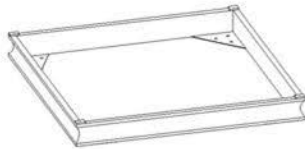
B1 (BOX 1)

A Glass



1pc

B Top Frame



1pc

C Leg

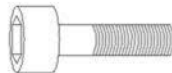


4pc

Z HARDWARE IDENTIFICATION

B2 (BOX 2) -HARDWARE PACK IS LOCATED IN 705017(B2)

1 Bolts m8*12



12PC

2 Flat Washer $\phi 8*20$



12pc

3 Allen Wrench 6mm



1pc

4 Glass Rest

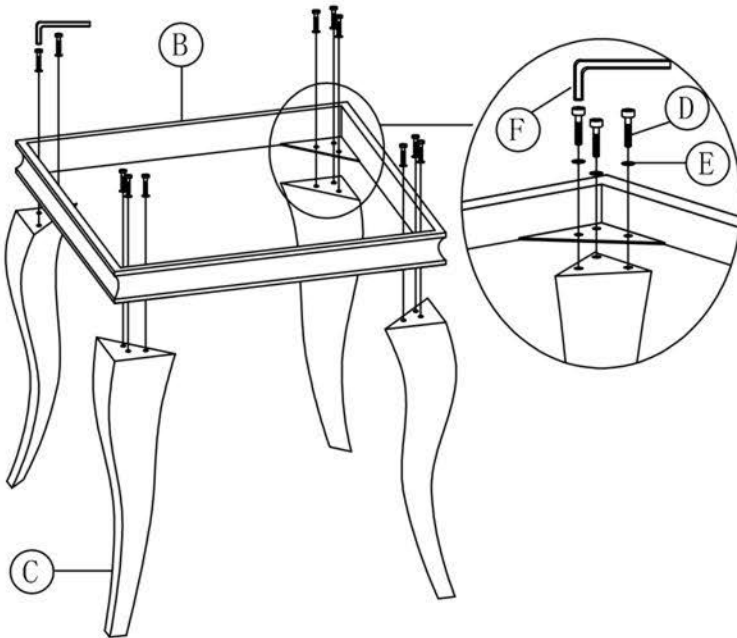


4pc

ITEM: 705017 (B1-B3)

ASSEMBLY INSTRUCTIONS

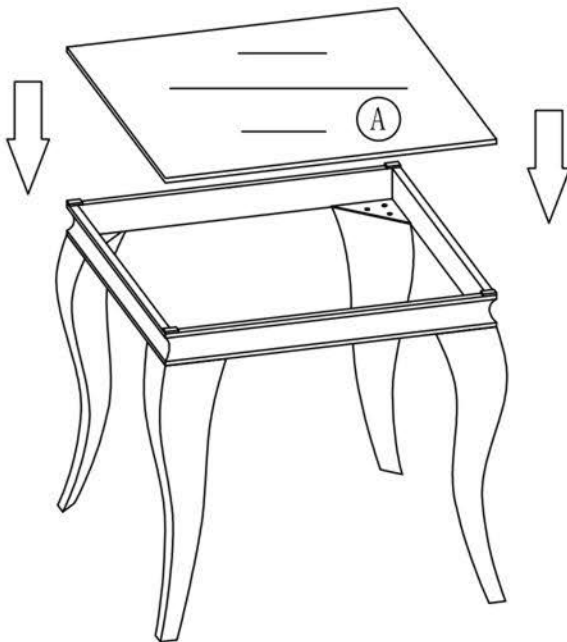
STEP 1



STEP 2



STEP 3



STEP 4

