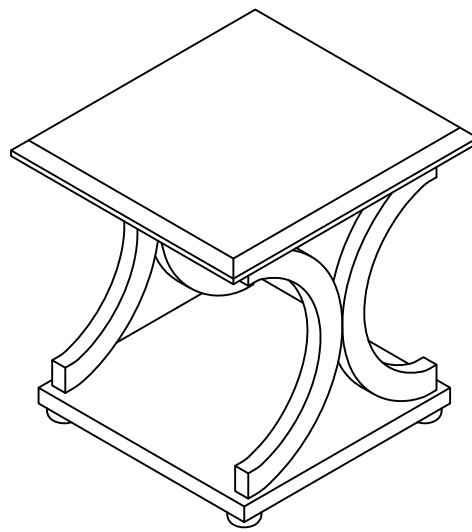


ASSEMBLY INSTRUCTIONS
COASTER FINE FURNITURE



Fine Furniture for every stage of life

703147
End Table

ITEM:703147



ASSEMBLY INSTRUCTIONS

ASSEMBLY TIPS:

- 1.Remove hardware from box and sort by size.
- 2.Please check to see that all hardware and parts are present prior to start of assembly.
- 3.Please follow attached instructions in the same sequence as numbered to assure fast & easy assembly.

Warning !!

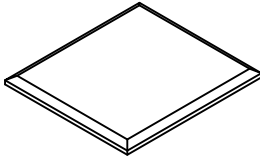

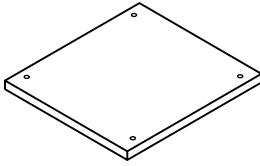
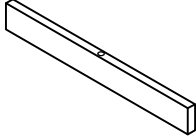
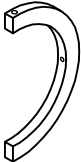
1. Don't attempt to repair or modify parts that are broken or defective. Please contact the store immediately.
2. This product is for home use only and not intended for commercial establishment.



ASSEMBLY TIME

30 MINUTES

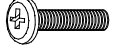





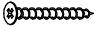

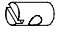

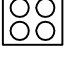

PARTS IDENTIFICATION

(A) TOP PANEL		1 PC	(D) FRONT-RIGHT ARC LEG/ REAR-LEFT ARC LEG		2 PCS
(B) BASE		1 PC	(E) CROSS BAR		2 PCS
(C) REAR-RIGHT ARC LEG/ FRONT-LEFT ARC LEG		2 PCS			

ITEM:703147



HARDWARE IDENTIFICATION

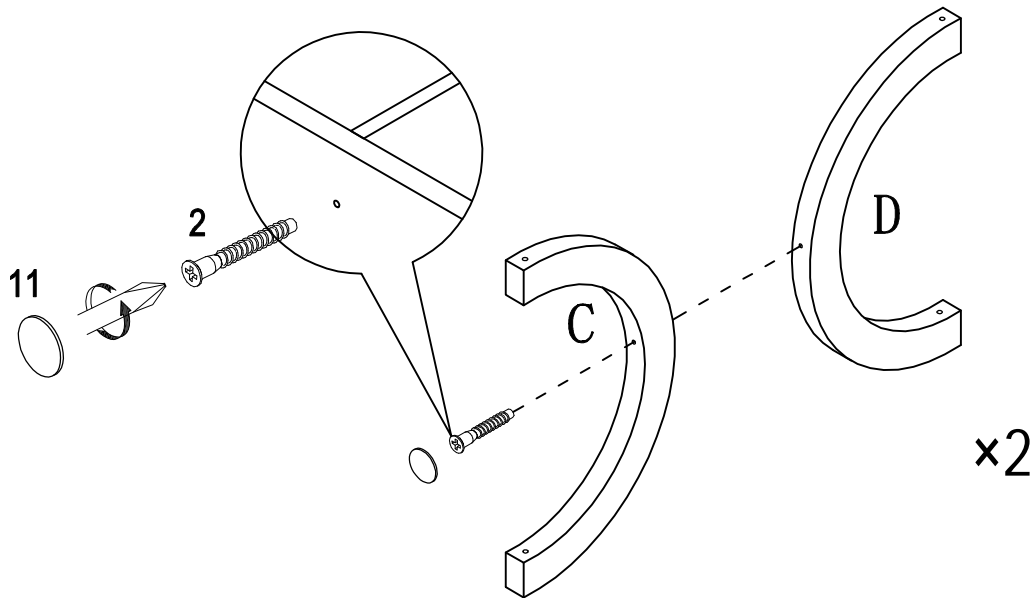
1	FLAT-HEAD SCREW	M6x40mm		4pcs
2	WOOD SCREW	Ø7x58mm		2pcs
3	PLASTIC PAD WITH SCREW	Ø55x25mm		4pcs
4	CAMLOCK SCREW	L29mm		4pcs
5	CAMLOCK	Ø15mm		4pcs
6	DOWEL	Ø8x25mm		6pcs
7	SELF-TAPPING SCREW	Ø4x50mm		4pcs
8	HAMMER BOLT	Ø6x55mm		4pcs
9	HAMMER NUT	Ø10x15mm		4pcs
10	ALLEN WRENCH	M4mm		1pc
11	STICKER	Ø18mm		6pcs
12	GLUE			1pc

ITEM: 703147

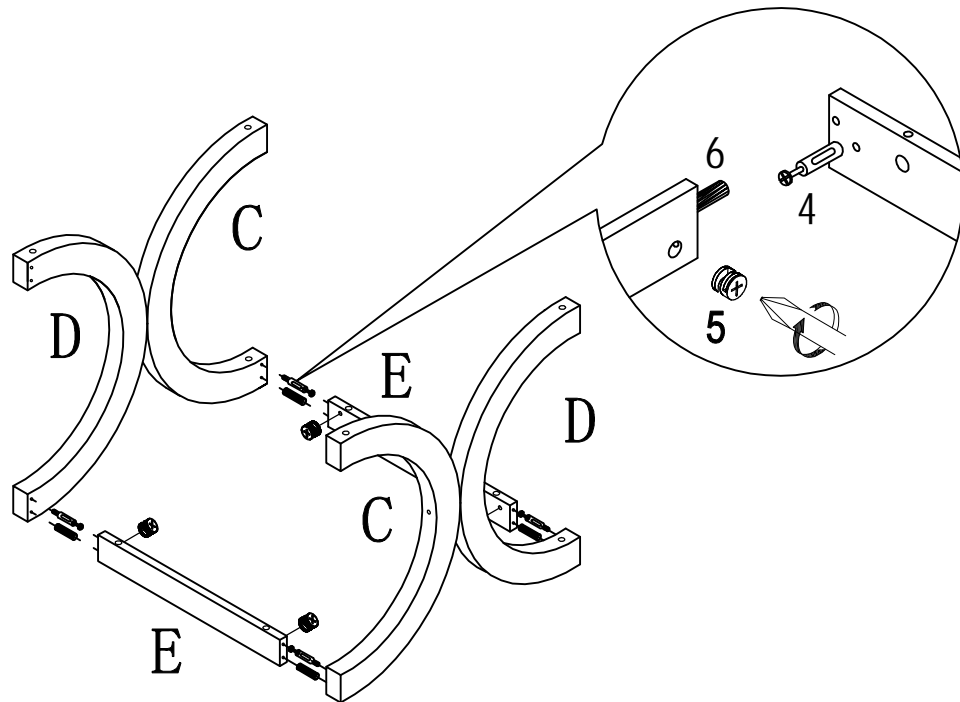
ASSEMBLY INSTRUCTIONS



STEP 1



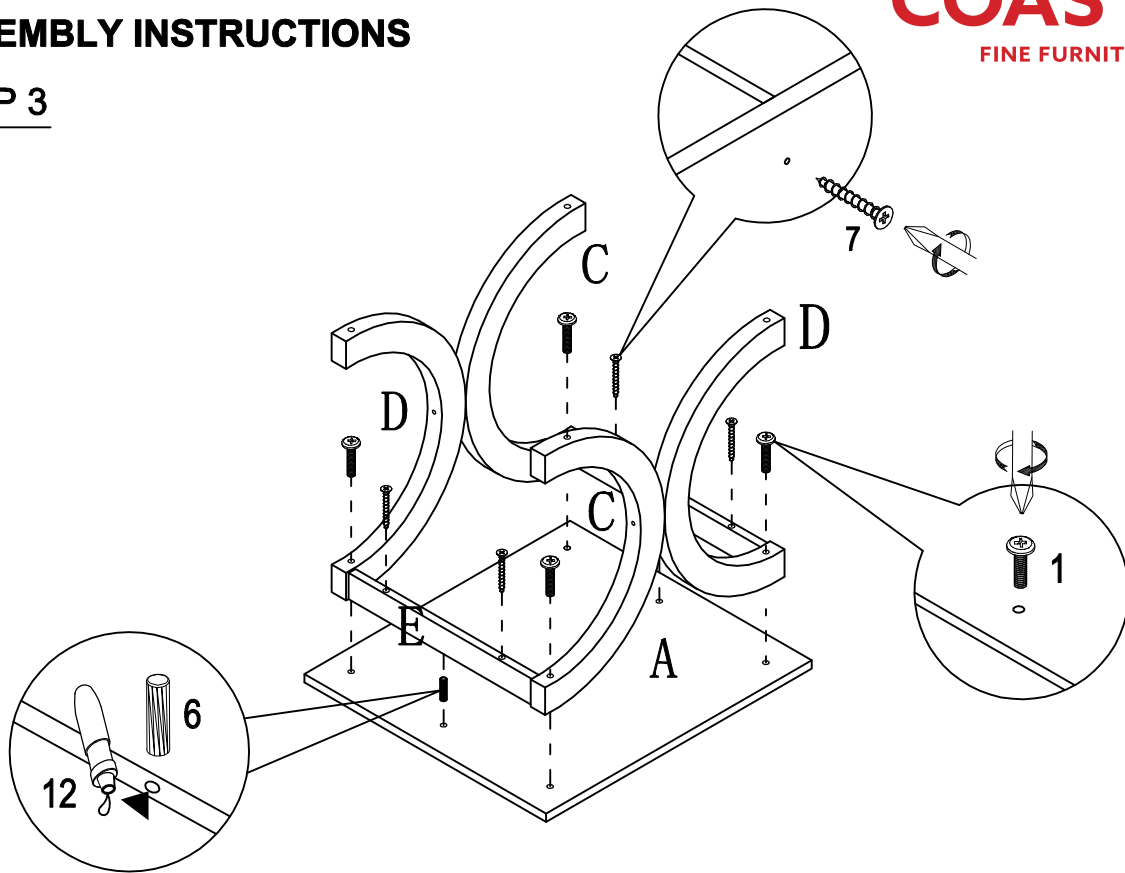
STEP 2



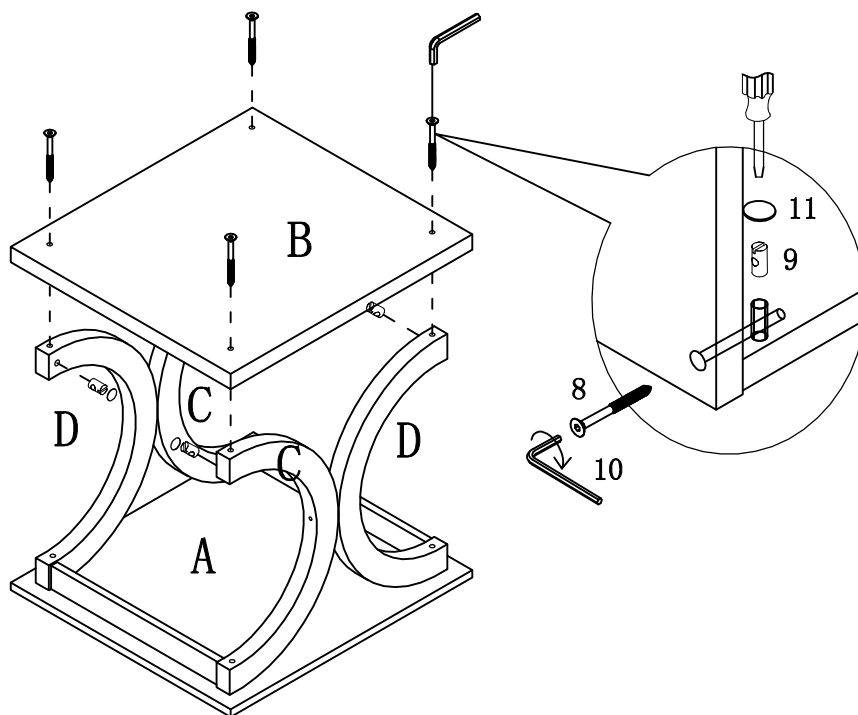
ITEM: **703147**

ASSEMBLY INSTRUCTIONS

STEP 3



STEP 4

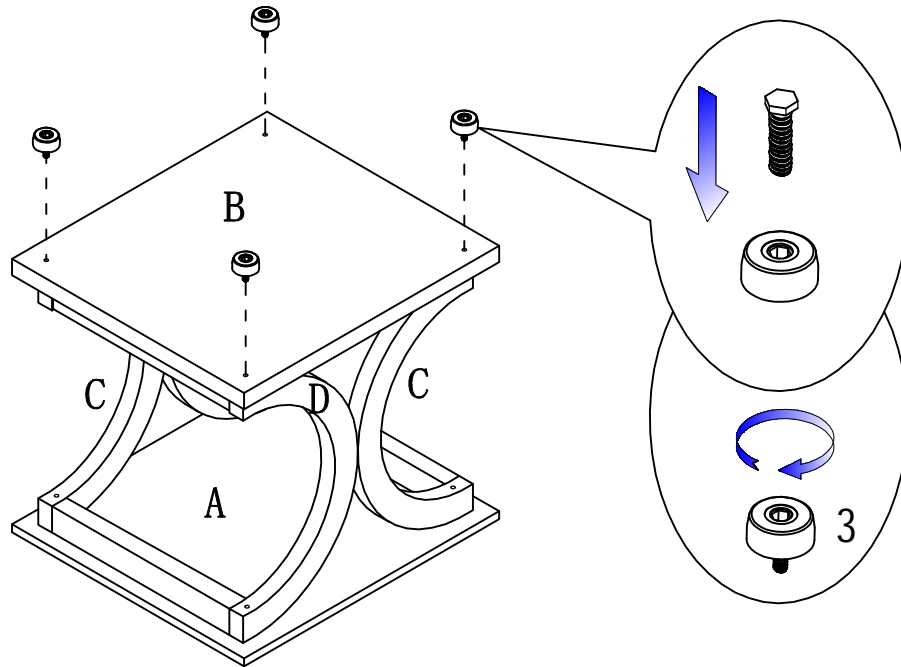


ITEM: **703147**

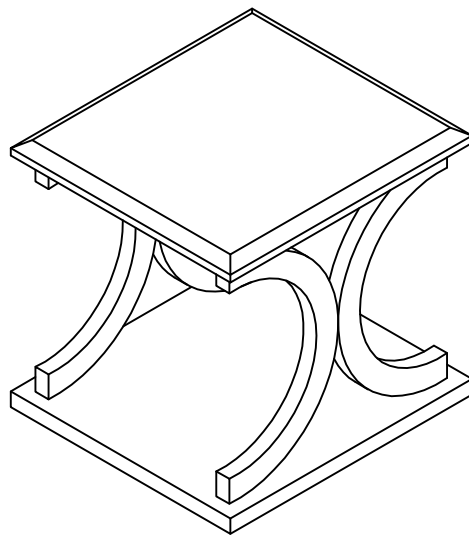
ASSEMBLY INSTRUCTIONS



STEP 5



STEP 6



ITEM: **703147**

DIMENSION

