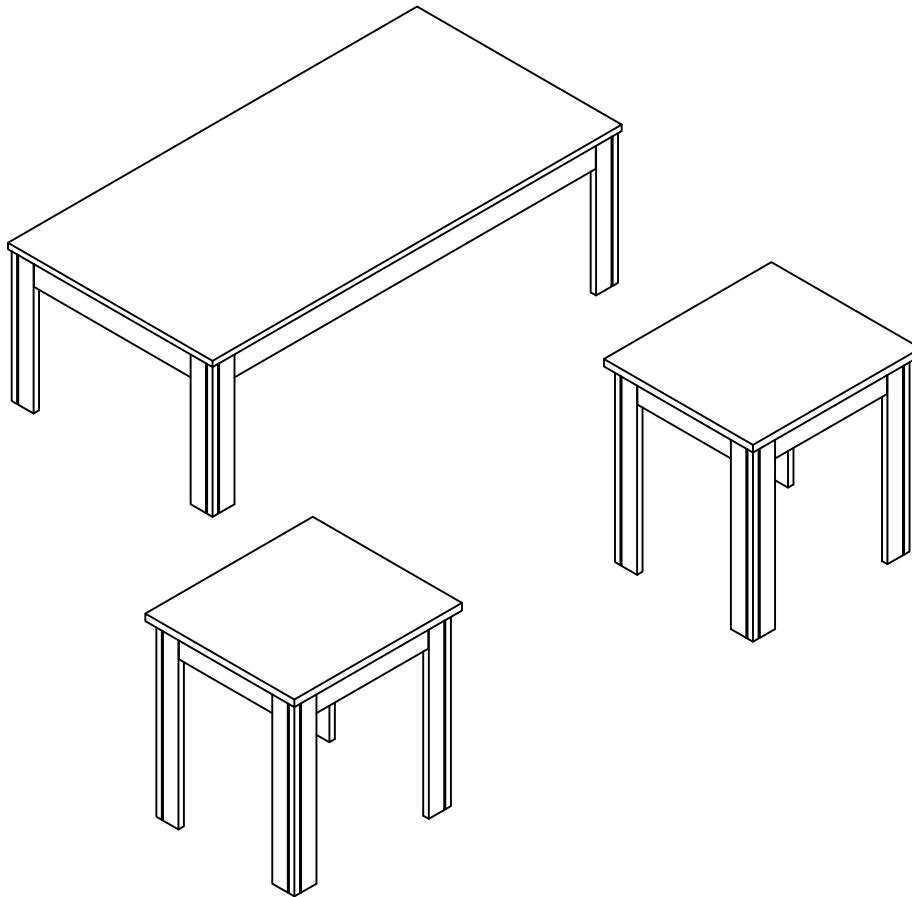


ASSEMBLY INSTRUCTIONS
COASTER FINE FURNITURE



Fine Furniture for every stage of life

700215
3 Pc Set

ITEM:700215



ASSEMBLY INSTRUCTIONS

ASSEMBLY TIPS:

- 1.Remove hardware from box and sort by size.
- 2.Please check to see that all hardware and parts are present prior to start of assembly.
- 3.Please follow attached instructions in the same sequence as numbered to assure fast & easy assembly.

Warning !!

1. Don't attempt to repair or modify parts that are broken or defective. Please contact the store immediately.
2. This product is for home use only and not intended for commercial establishment.

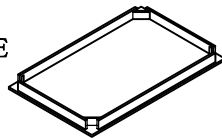


ASSEMBLY TIME

30 MINUTES

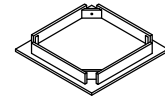
PARTS IDENTIFICATION

(A) WOOD TOP-COFFEE TABLE



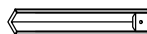
1 PC

(C) WOOD TOP-END TABLE



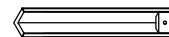
2 PCS

(B) LEG-COFFEE TABLE



4 PCS

(D) LEG-END TABLE




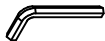


8 PCS

ITEM: **700215**



HARDWARE IDENTIFICATION

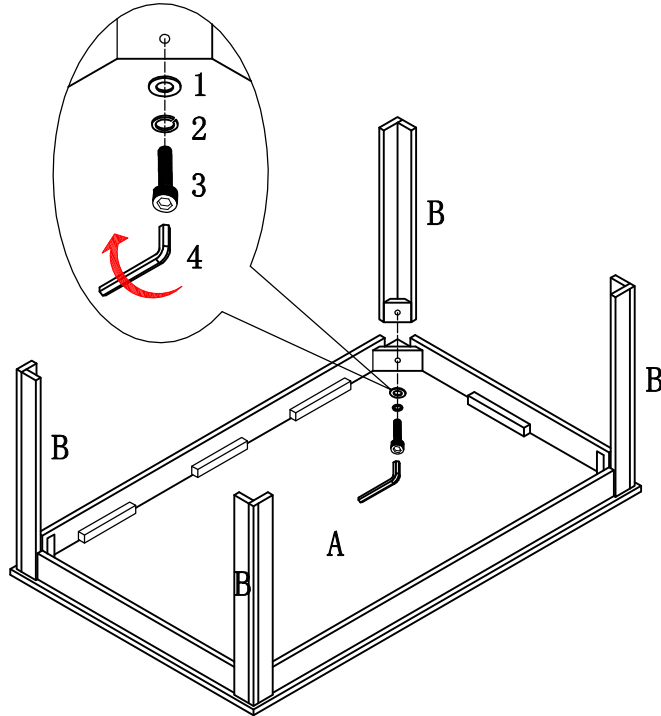
| | | | | |
|---|--------------|----------------|---|-------|
| 1 | WASHER | ø5/16*22mm |  | 12pcs |
| 2 | LOCK WASHER | ø5/16mm |  | 12pcs |
| 3 | BOLT | ø5/16*2-1/4"mm |  | 12pcs |
| 4 | ALLEN WRENCH | 5mm |  | 1pc |

ITEM: 700215

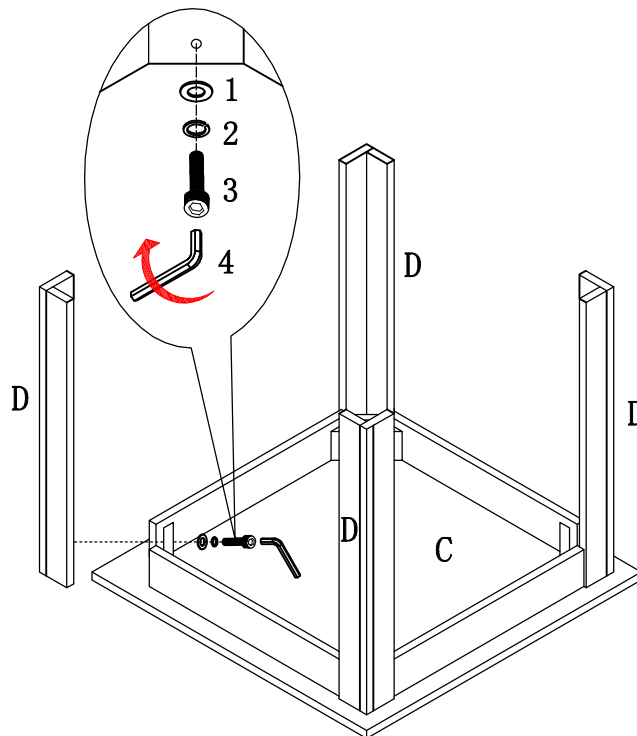
ASSEMBLY INSTRUCTIONS



STEP 1



STEP 2



ITEM: 700215

DIMENSION

