



ASSEMBLY INSTRUCTIONS
COASTER FINE FURNITURE



Fine Furniture for every stage of life

360116
Sofa Bed

REVISION 0 : 05/24/2019

ITEM:360116



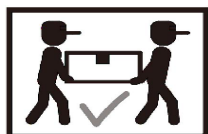
ASSEMBLY INSTRUCTIONS

ASSEMBLY TIPS:

1. Remove hardware from box and sort by size.
2. Please check to see that all hardware and parts are present prior to start of assembly.
3. Please follow attached instructions in the same sequence as numbered to assure fast & easy assembly

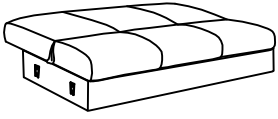
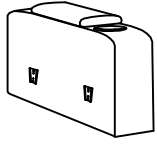
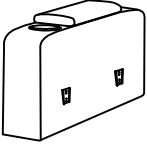
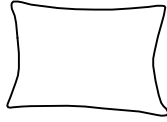
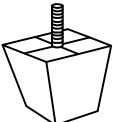
WARNING!

1. Don't attempt to repair or modify parts that are broken or defective. Please contact the store immediately.
2. This product is for home use only and not intended for commercial establishments.



ASSEMBLY TIME:30 MINUTES

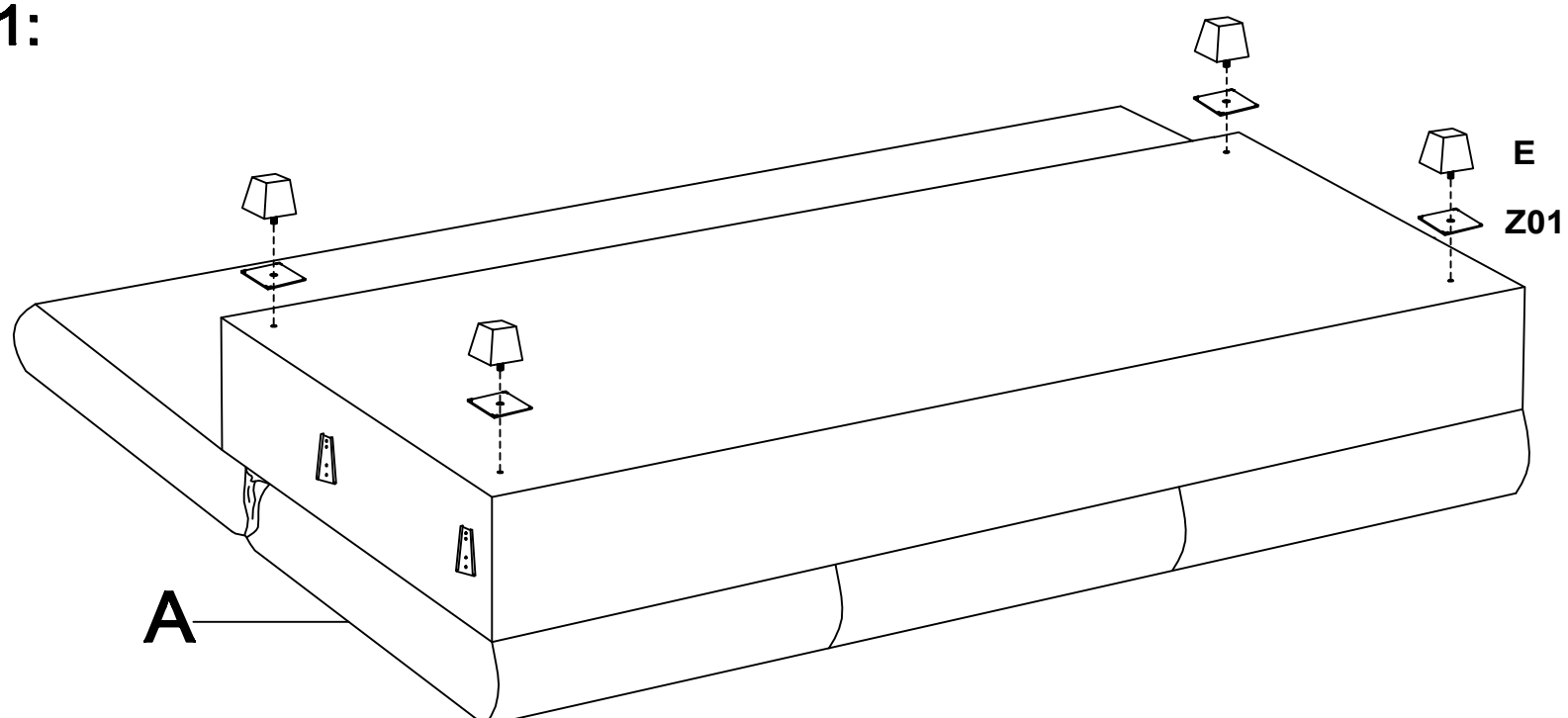
PARTS IDENTIFICATION

A	SOFA BED		1PC	C	RIGHT ARM		1PC
B	LEFT ARM		1PC	D	PILLOWS		2PCS
E	LEGS		4pcs				

HARDWARE IDENTIFICATION

Z01	PLASTIC WASHER (85X85mm - RBW)		4PCS
-----	-----------------------------------	---	------

Step1:

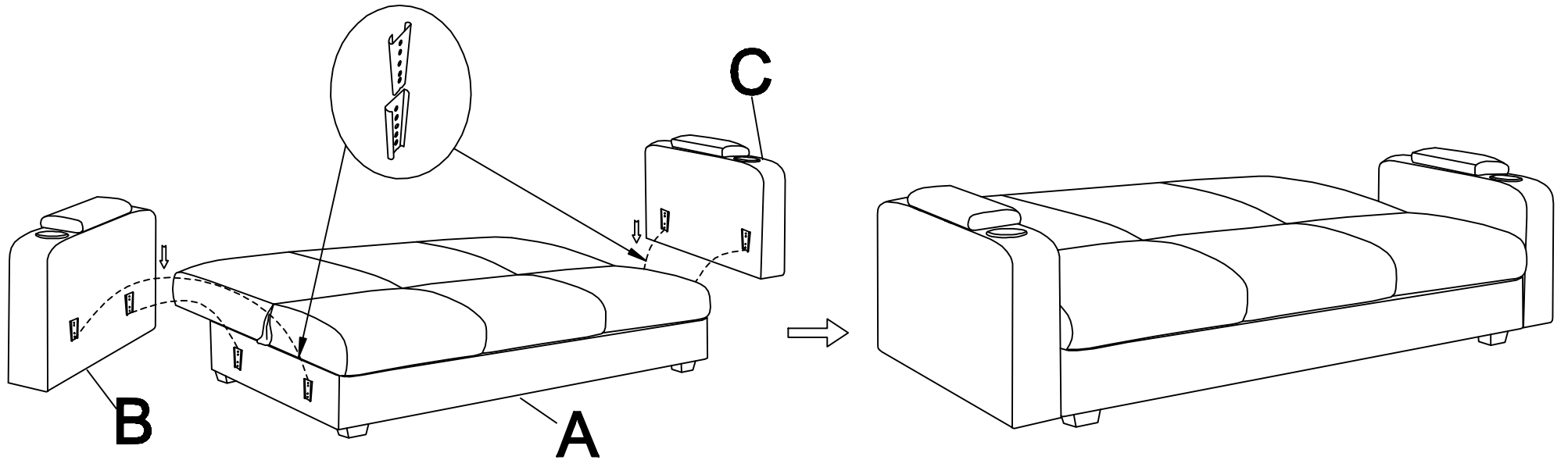


ITEM:360116

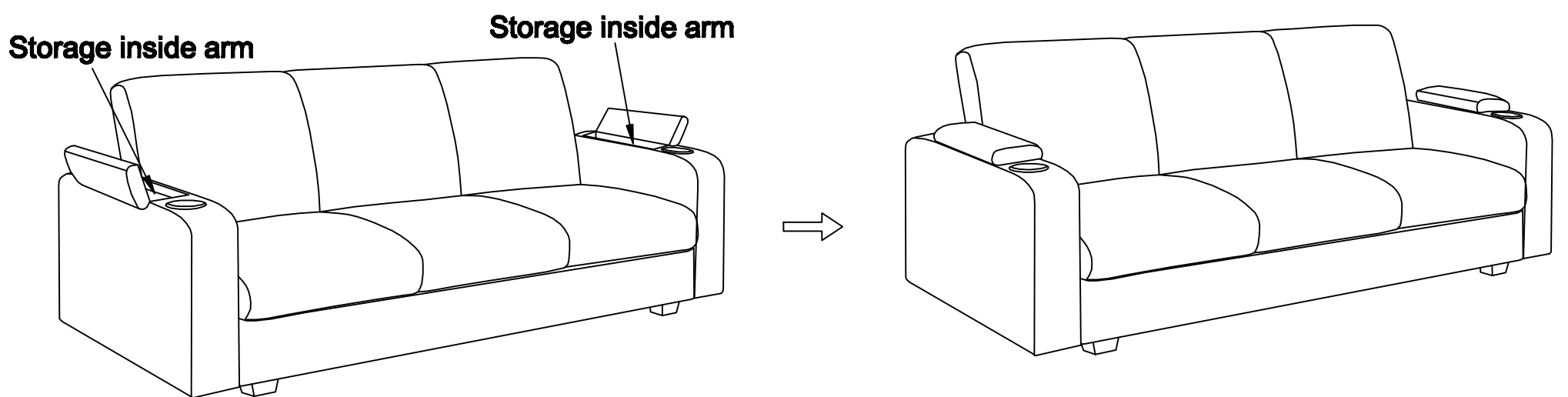
ASSEMBLY INSTRUCTIONS



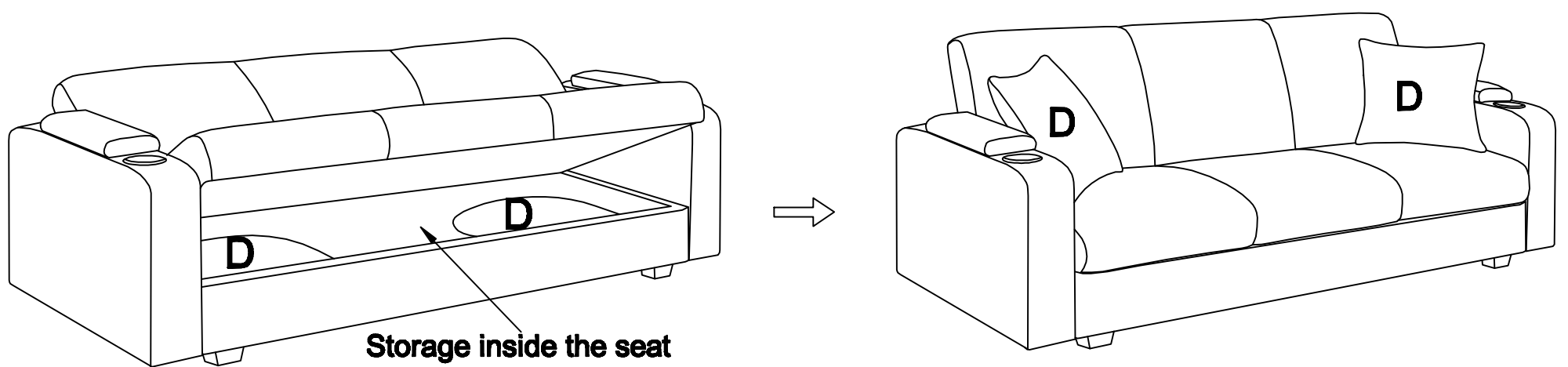
Step2:



Step3:



Step4:



ITEM: **360116**



ASSEMBLY INSTRUCTIONS

PRODUCT DIMENSION

