



ASSEMBLY INSTRUCTIONS
COASTER FINE FURNITURE



Fine Furniture for every stage of life

300075
Storage Bench

ITEM: 300075

ASSEMBLY INSTRUCTIONS



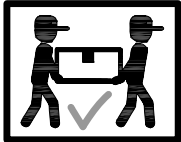
ASSEMBLY TIPS:

1. Remove hardware from box and sort by size.
2. Please check to see that all hardware and parts are present prior to start of assembly.
3. Please follow attached instructions in the same sequence as numbered to assure fast & easy assembly.



WARNING!

1. Don't attempt to repair or modify parts that are broken or defective. Please contact the store immediately.
2. This product is for home use only and not intended for commercial establishments.



ASSEMBLY TIME

75 MINUTES

PARTS IDENTIFICATION

A	LEFT SIDE ARMREST		1PC	H	SEAT PANEL		1PC
B	RIGHT SIDE ARMREST		1PC	I	SEAT SUPPORT FRAME		3PCS
C	BACK RAIL		1PC	J	DRAWER BACK PANEL		3PCS
D	LEFT SIDE APRON		1PC	K	DRAWER BOTTOM PANEL		3PCS
E	RIGHT SIDE APRON		1PC	L	LEFT DRAWER PANEL		3PCS
F	BACK APRON		1PC	M	RIGHT DRAWER PANEL		3PCS
G	FRONT APRON		1PC	O	DRAWER FACE PANEL		3PCS

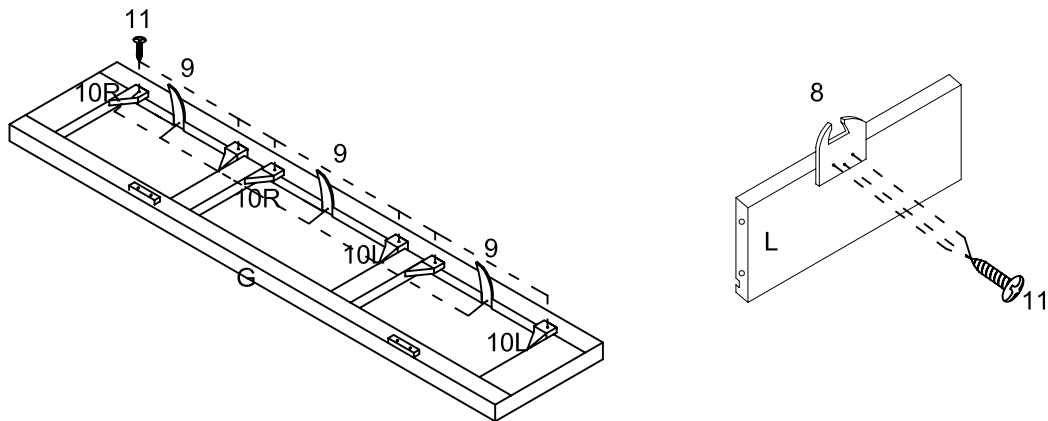
HARDWARE IDENTIFICATION

1	BOLT (1/4" x 3")		12PCS	7	GLUE (20g)		1PC
2	WOODEN CUP (Ø12.5 x 9mm)		12PCS	8	DRAWER SUPPOT		3PCS
3	SCREW (3 x 14mm)		42PCS	9	DRAWER STOP (50 x 16mm)		3PCS
4	ALLEN WRENCH (4mm)		1PC	10	DRAWER STEADY FRAME LEFT&RIGHT		3SET
5	CROSS DOWEL BARREL NUT (1/4" x 13mm)		12PCS	11	SCREW (3 x 14MM)		18PCS
6	WOOD DOWEL (Ø8 x 30mm)		32PCS				

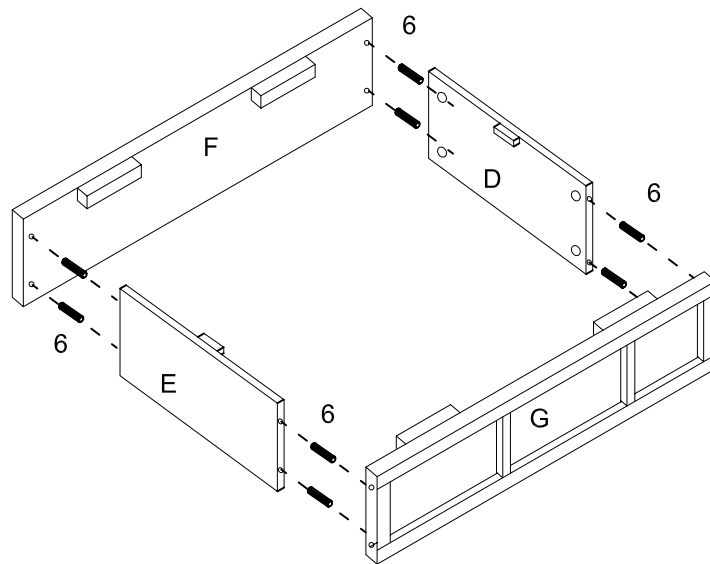
ITEM: **300075**
ASSEMBLY INSTRUCTIONS



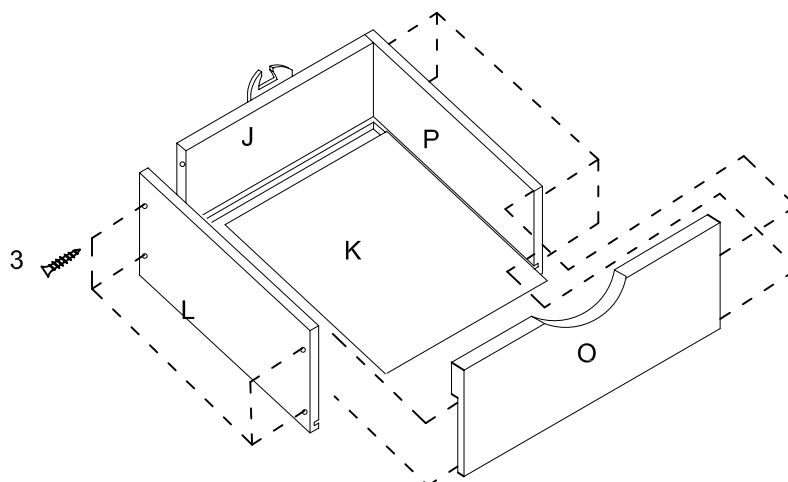
STEP 1



STEP 2



STEP 3

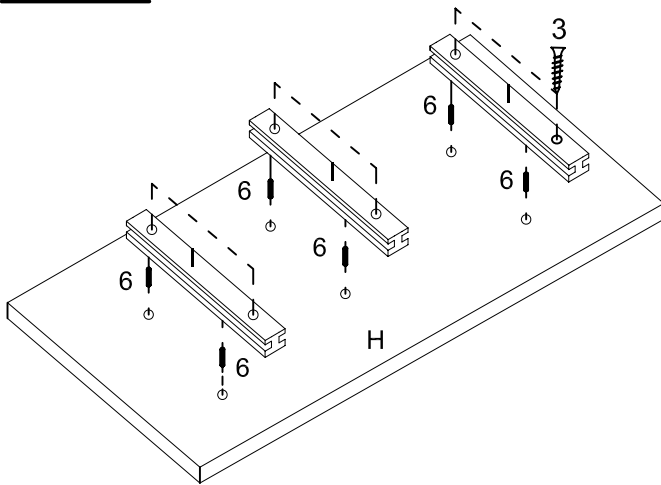


ITEM: 300075

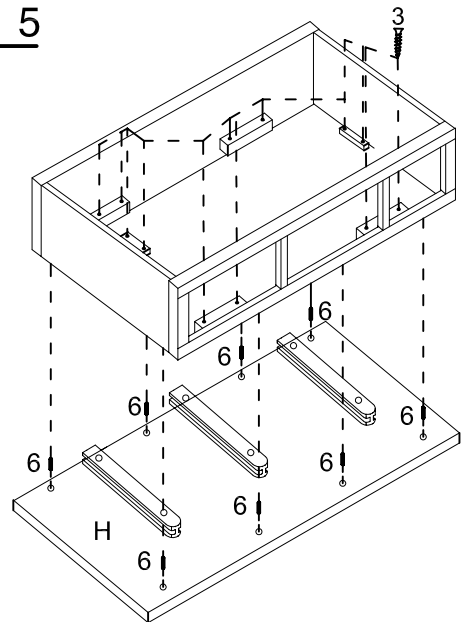
ASSEMBLY INSTRUCTIONS



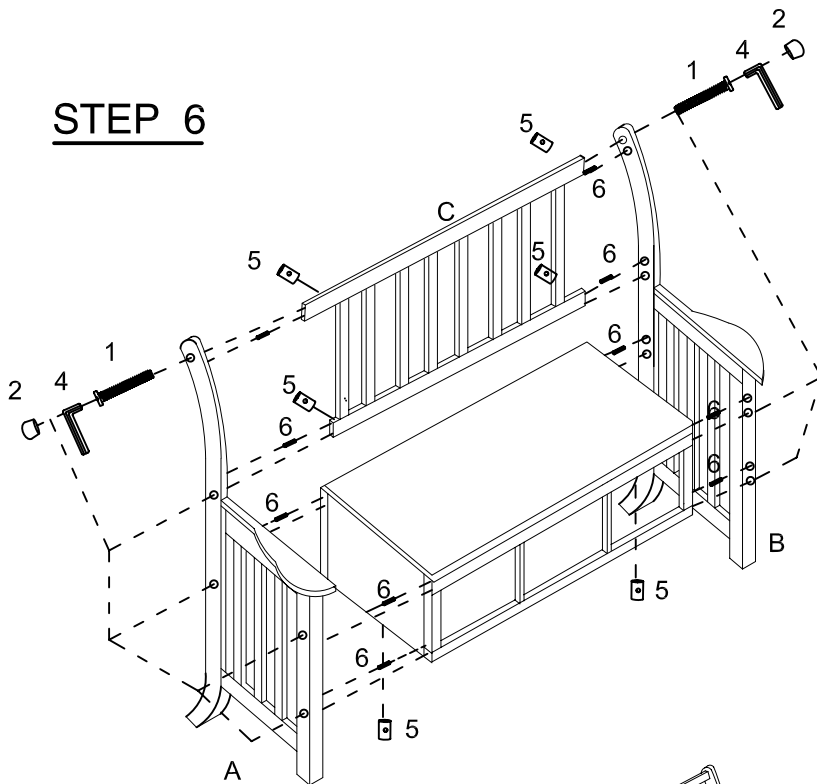
STEP 4



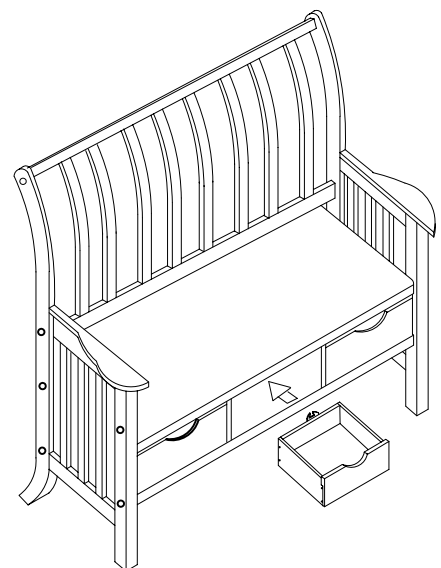
STEP 5



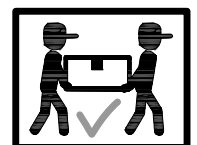
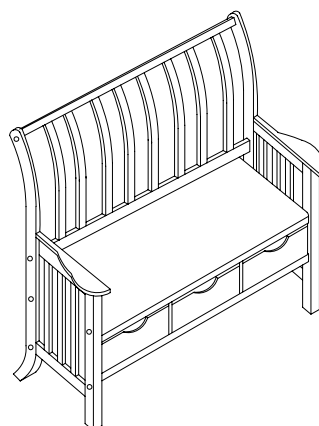
STEP 6



STEP 7



STEP 8 COMPLETE



ITEM: **300075**
ASSEMBLY INSTRUCTIONS

