

# ASSEMBLY INSTRUCTIONS COASTER FINE FURNITURE



*Fine Furniture for every stage of life*

**102595 Wine  
Cabinet**

# ITEM: 102595



## ASSEMBLY INSTRUCTIONS

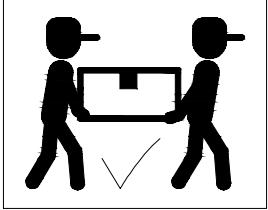
### ASSEMBLY TIPS:

1. Remove hardware from box and sort by size.
2. Please check to see that all hardware and parts are present prior to start of assembly.
3. Please follow attached instructions in the same sequence as numbered to assure fast & easy assembly.



### WARNING!

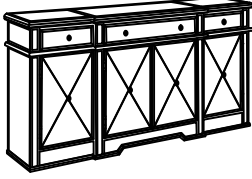

1. Don't attempt to repair or modify parts that are broken or defective. Please contact the store immediately.
2. This product is for home use only and not intended for commercial establishments.



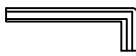



ASSEMBLY TIME

30 MINUTES

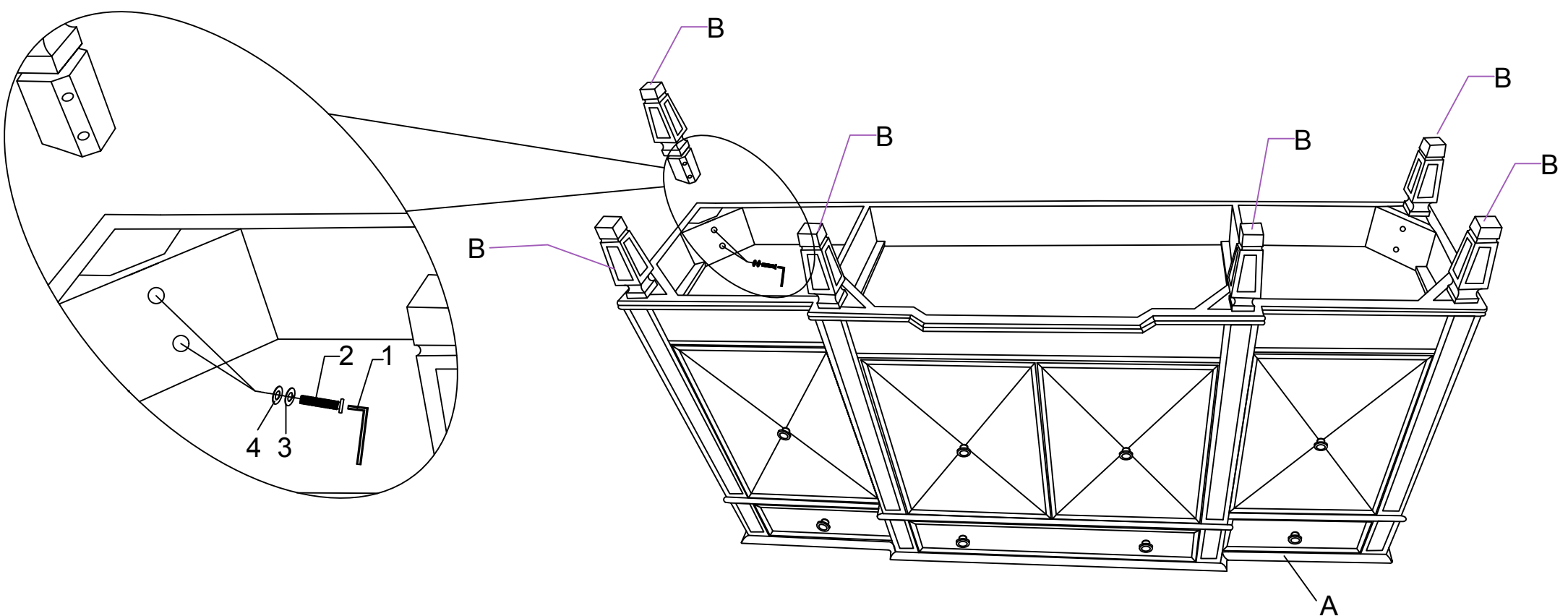
### PARTS IDENTIFICATION

|   |         |   |      |
|---|---------|---|------|
| A | CABINET |  | 1PC  |
| B | LEG     |  | 6PCS |

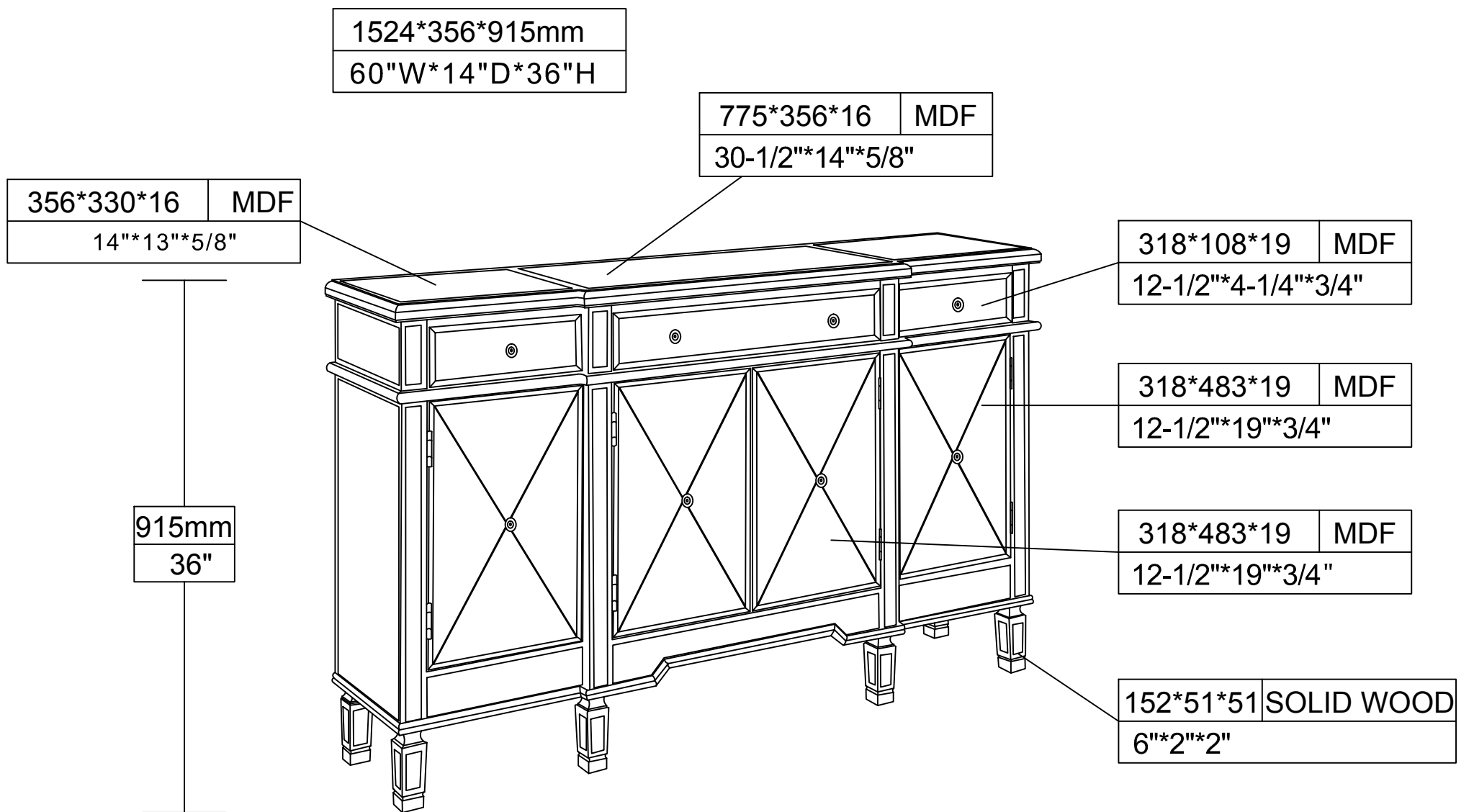
### Z HARDWARE IDENTIFICATION

|   |              |   |         |      |
|---|--------------|---|---------|------|
| 1 | ALLEN WRENCH |  | Ø5mm    | 1PC  |
| 2 | BOLT         |  | Ø8*40mm | 8PCS |
| 3 | LOCK WASHER  |  | Ø8mm    | 8PCS |
| 4 | FLAT WASHER  |  | Ø8mm    | 8PCS |

### STEP 1




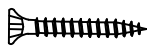


# ITEM: 102595



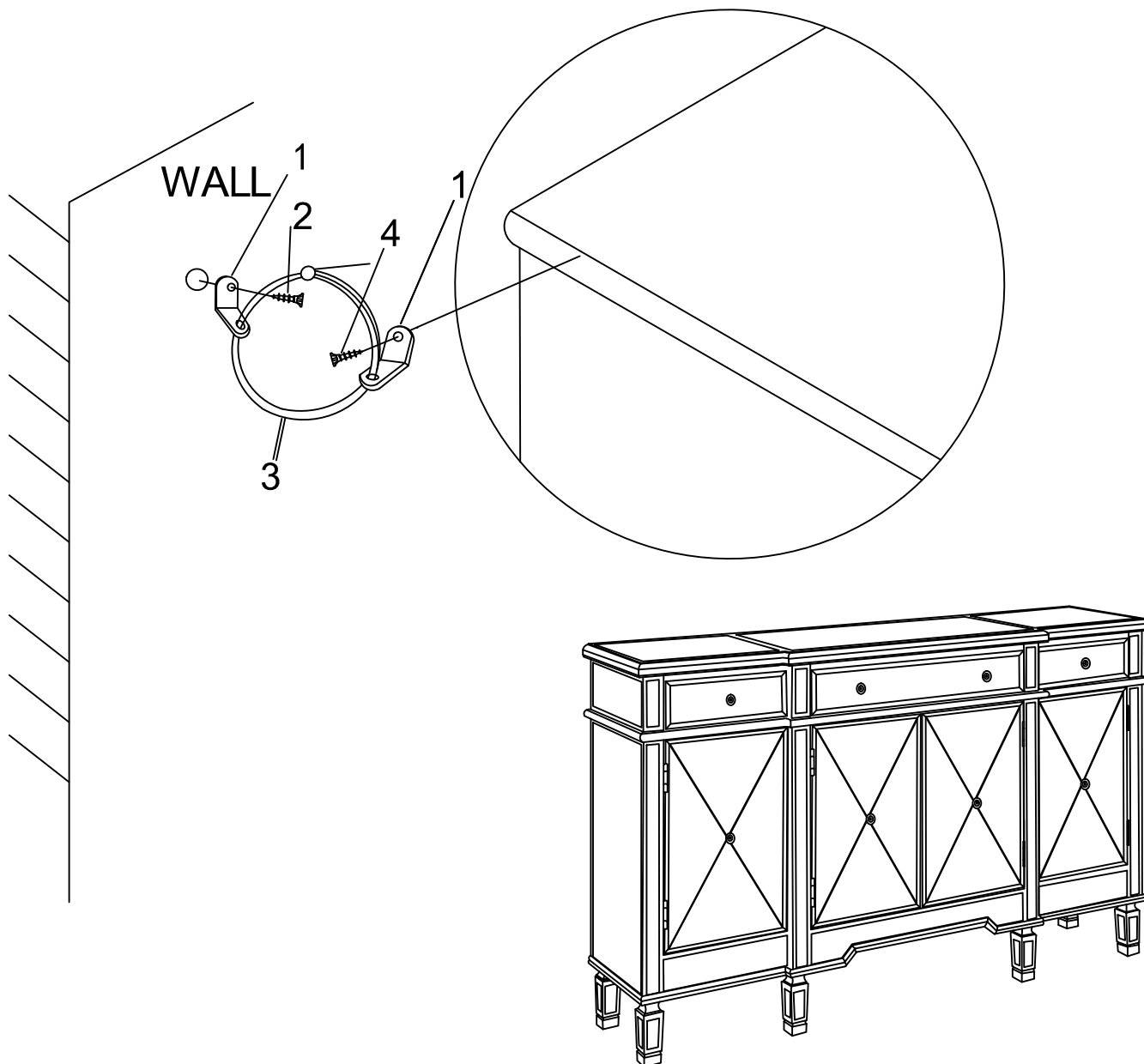
# ITEM: 102595

Please install the Anti tipping hardware as shown in the drawing - this can help to prevent any tipping issues.

## Z HARDWARE PACKAGE

| NO. | DESCRIPTION | FIGURE  | SIZE    | Q'TY |
|-----|-------------|---|---------|------|
| 1   | PLUG        |  |         | 2PCS |
| 2   | LARGE SCREW |  | Ø8x2"   | 1PC  |
| 3   | TIGHTWIRE   |  |         | 1PC  |
| 4   | SHORT SCREW |  | Ø8x3/4" | 1PC  |

ATTENTION: Anti tipping safeguard



### FURNITURE TIPPING RESTRAINT

#### WARNING

Injury may result from tipping furniture  
This restraint is not a substitute for proper adult supervision  
This restraint may provide protection against tipping furniture.  
Do not allow children to climb on furniture.  
Failure to detach this restraint before moving furniture may result in injury and damage