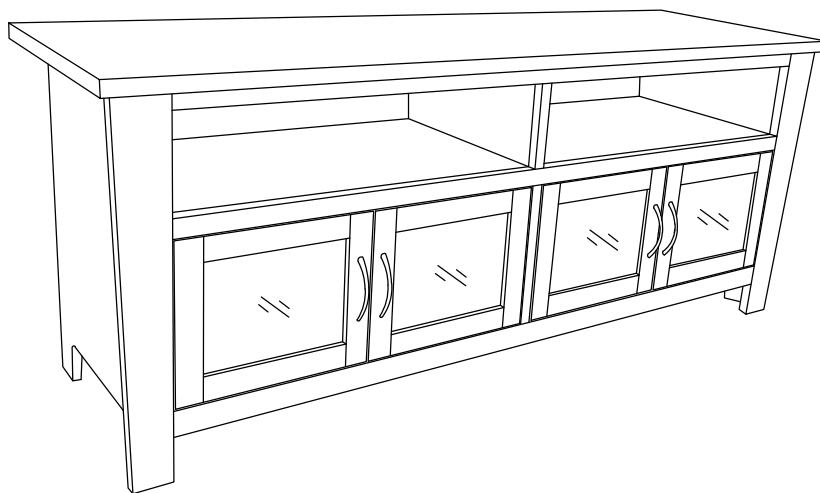




*ASSEMBLY INSTRUCTIONS
COASTER FINE FURNITURE*



Fine Furniture for every stage of life

722223
TV CONSOLE

ITEM:722223



ASSEMBLY INSTRUCTIONS

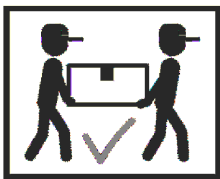
ASSEMBLY TIPS:

1. Remove hardware from box and sort by size.
2. Please check to see that all hardware and parts are present prior to start of assembly.
3. Please follow attached instructions in the same sequence as numbered to assure fast & easy assembly.



WARNING!







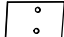

1. Don't attempt to repair or modify parts that are broken or defective. Please contact the store immediately.
2. This product is for home use only and not intended for commercial establishments.








ASSEMBLY TIME

15 MINUTES

PARTS IDENTIFICATION

A	TOP		1PC	E	BOTTOM PANEL		1PC
B	MIDDLE PANEL		1PC	F	SUPPORT LEG		1PC
C	FRONT FRAME		1PC	G	RIGHT SHELF		1PC
D	BACK PANEL		2PCS	H	LEFT SHELF		1PC

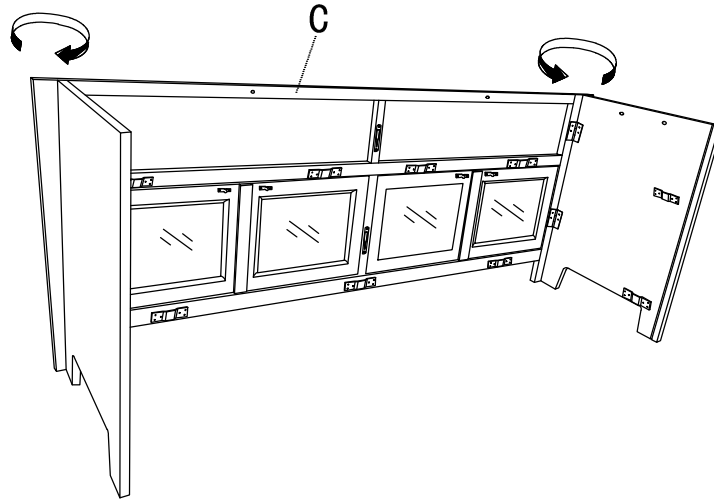
HARDWARE IDENTIFICATION

1	BOLTS (Ø1/4" x 1-1/4")		8PCS	4	ALLEN KEY (M4 x 67mm)		1PC
2	LOCK WASHER (Ø1/4" x 2mm)		8PCS	5	KNOB WITH SCREW		4SETS
3	FLAT WASHER (Ø1/4" x Ø19)		8PCS				

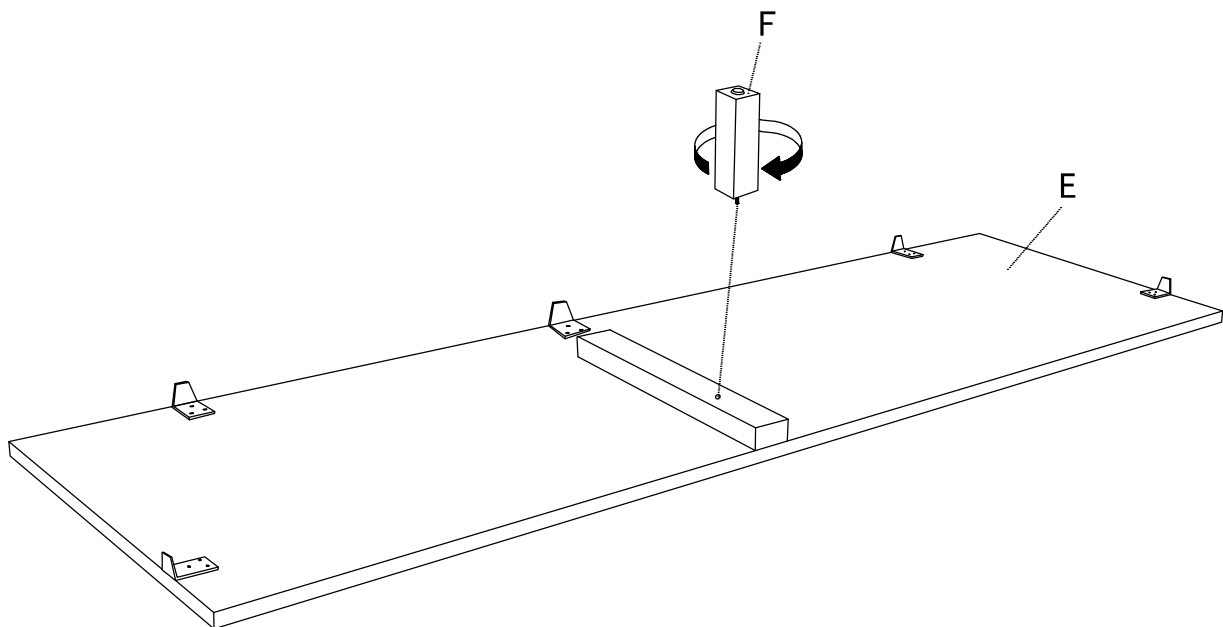
ITEM: 722223

STEP 1

COASTER
FINE FURNITURE



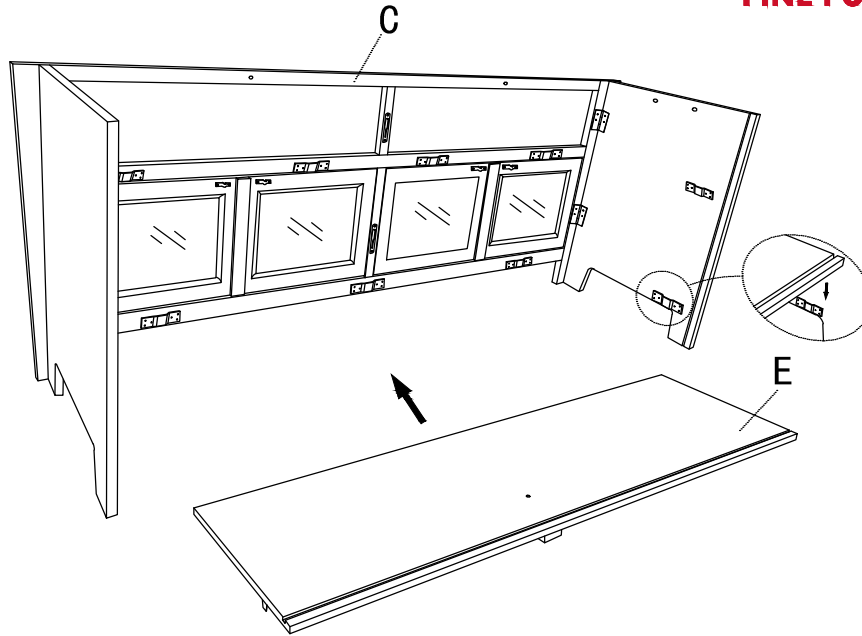
STEP 2



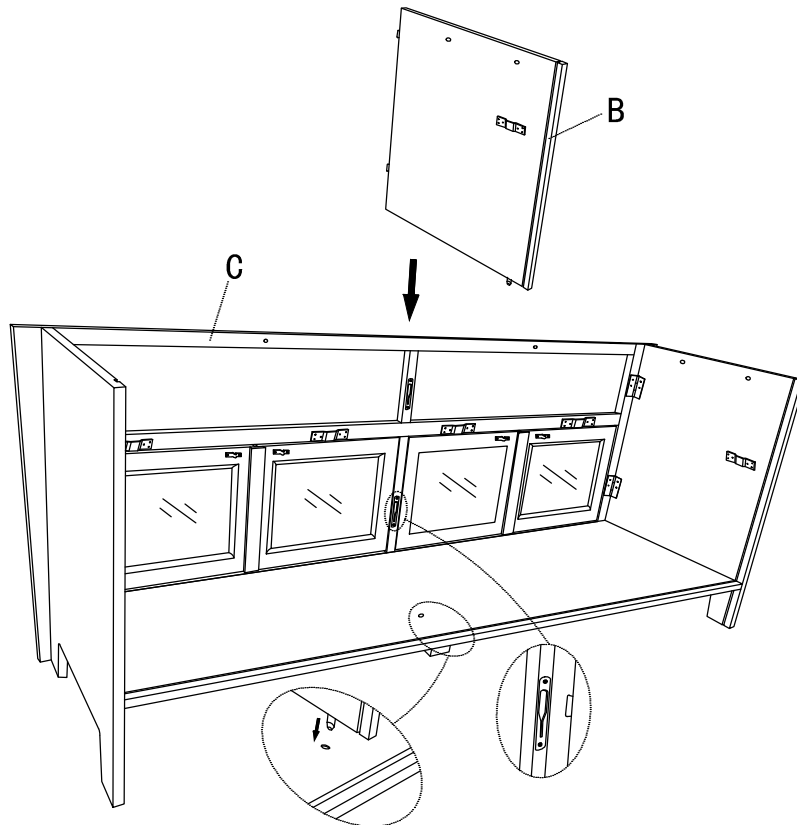
ITEM: 722223

STEP 3

COASTER
FINE FURNITURE



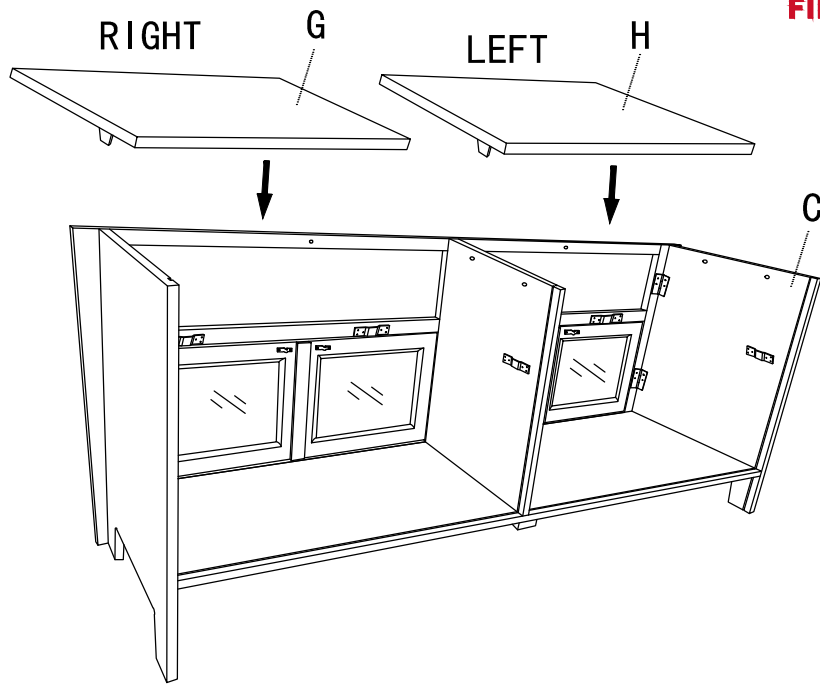
STEP 4



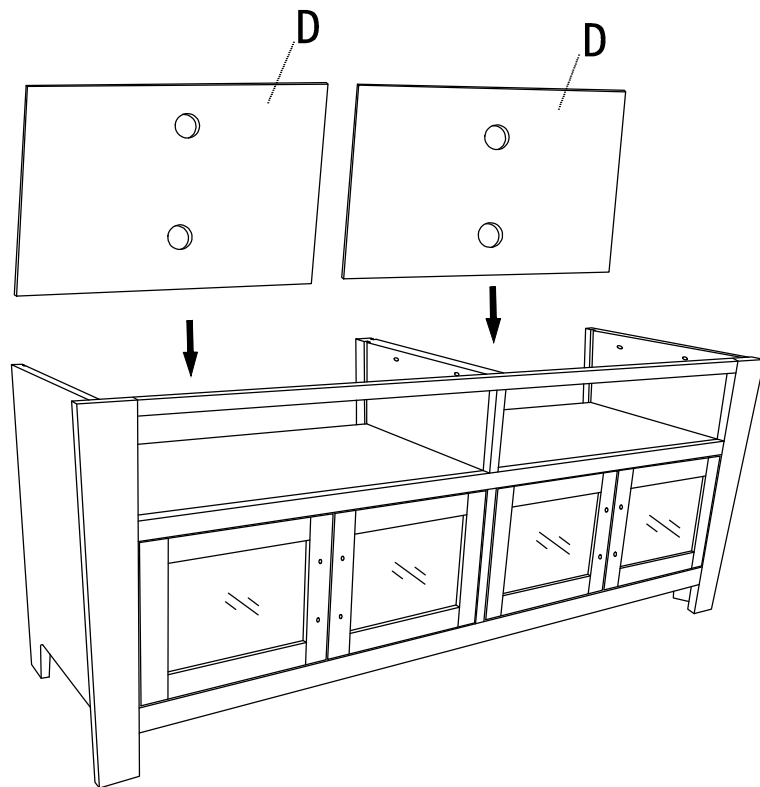
ITEM: **722223**

STEP 5

COASTER
FINE FURNITURE



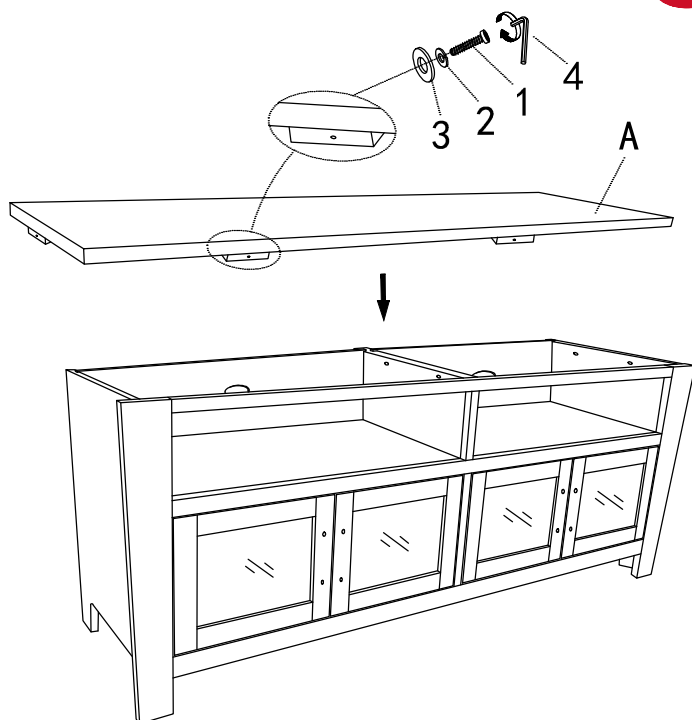
STEP 6



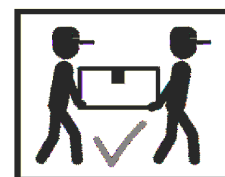
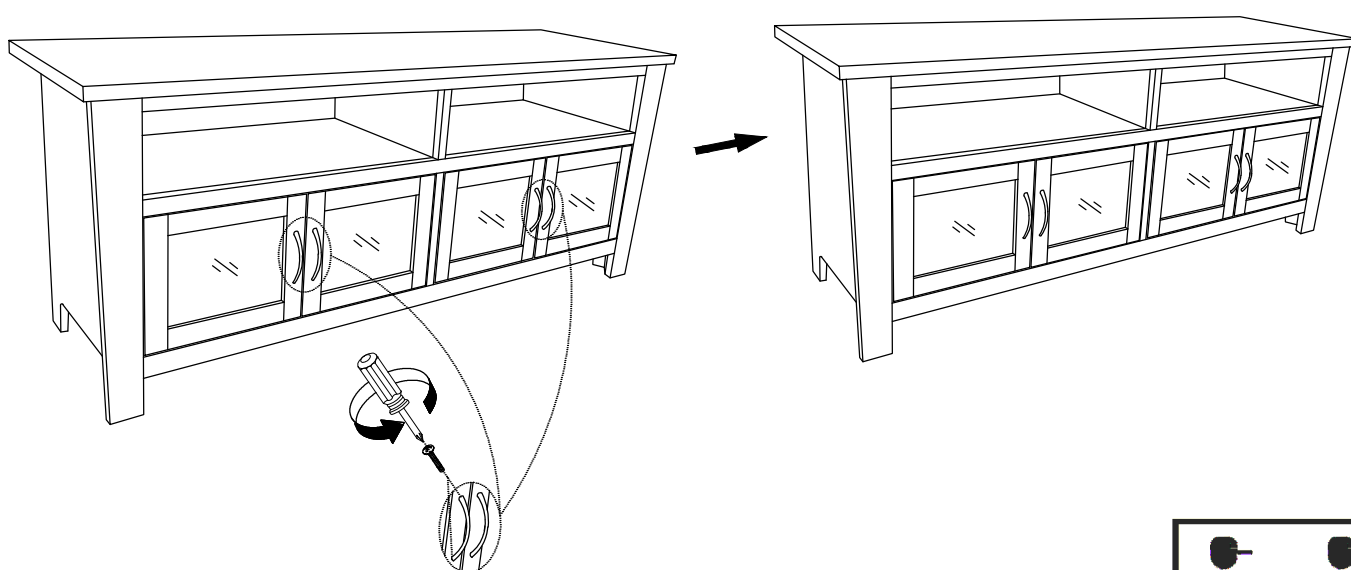
ITEM: 722223

STEP 7

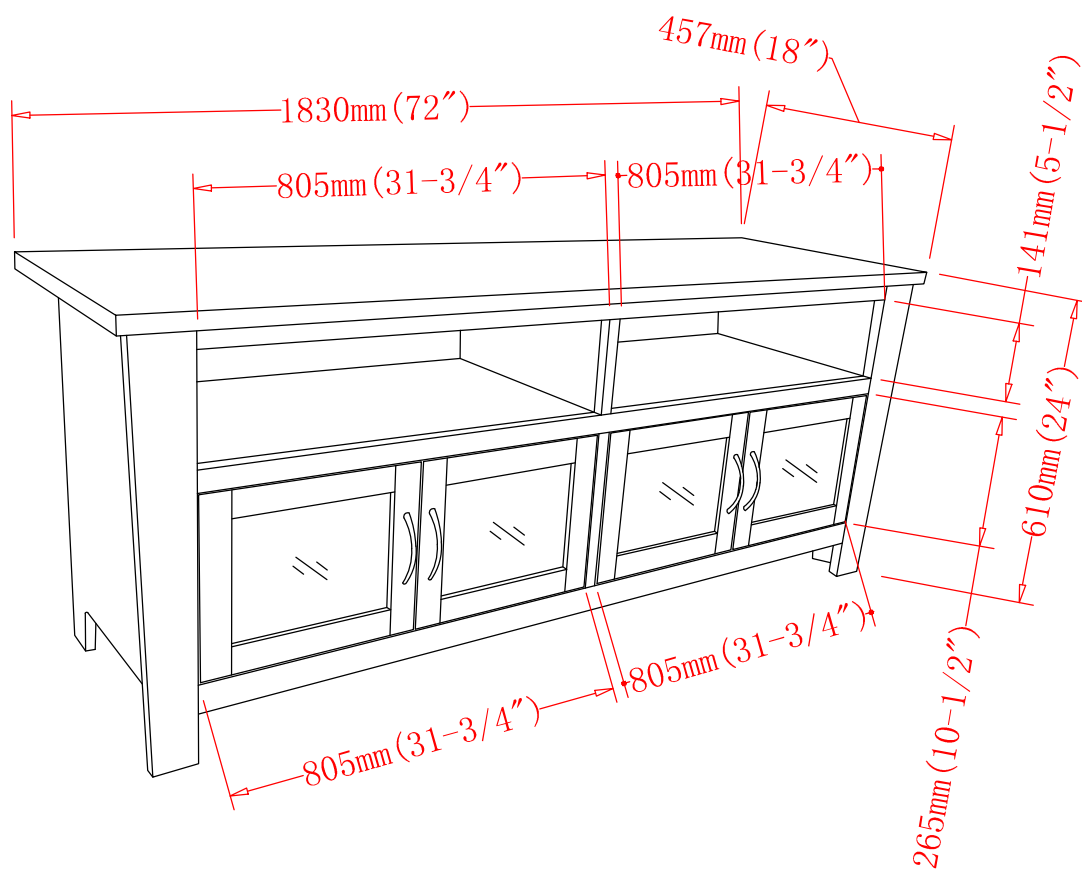
COASTER
FINE FURNITURE



STEP 8



ITEM:722223



Note : Dimension tolerance $\pm 5\%$