

ASSEMBLY INSTRUCTIONS
COASTER FINE FURNITURE



Fine Furniture for every stage of life

800831
COMPUTER DESK

ITEM: **800831**

ASSEMBLY INSTRUCTIONS

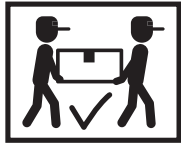
ASSEMBLY TIPS:

1. Remove hardware from box and sort by size.
2. Please check to see that all hardware and parts are present prior to start of assembly.
3. Please follow attached instructions in the same sequence as numbered to assure fast & easy assembly.



WARNING!

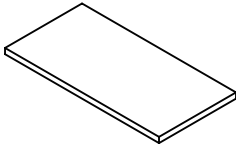
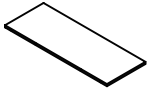
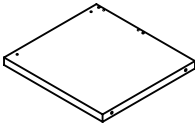
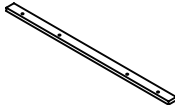
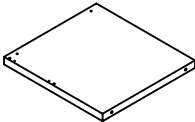
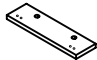
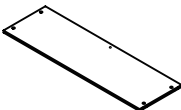

1. Don't attempt to repair or modify parts that are broken or defective. Please contact the store immediately.
2. This product is for home use only and not intended for commercial establishments.




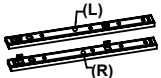
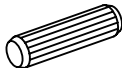





ASSEMBLY TIME

30 MINUTES

PARTS IDENTIFICATION

A	TOP PANEL		1PC	E	KEYBOARD SHELF		1PC
B	LEFT SIDE PANEL		1PC	F	KEYBOARD FRONT CROSS BAR		1PC
C	RIGHT SIDE PANEL		1PC	G	LEFT DIVIDER PANEL		1PC
D	BACK PANEL		1PC	H	RIGHT DIVIDER PANEL		1PC

HARDWARE IDENTIFICATION

Z							
NO	DESCRIPTION	FIGURE	Q'TY	NO	DESCRIPTION	FIGURE	Q'TY
1	GLUE 15g		1PC	5	RAIL L = 300mm		1SET
2	WOODEN DOWEL Ø 8x30mm		12PCS	6	SCREW Ø 3.5x12.5mm		12PCS
3	CAM LOCK Ø 15x12mm		8PCS	7	ADJUSTMENT FEET Ø 35x17.2mm		4PCS
4	CAM BOLT Ø 7x35.5mm		8PCS	8	COUPLER		5PCS

NOTE:

Phillips head screw driver is required in the assembly process; however, manufacturer does not provide this item.

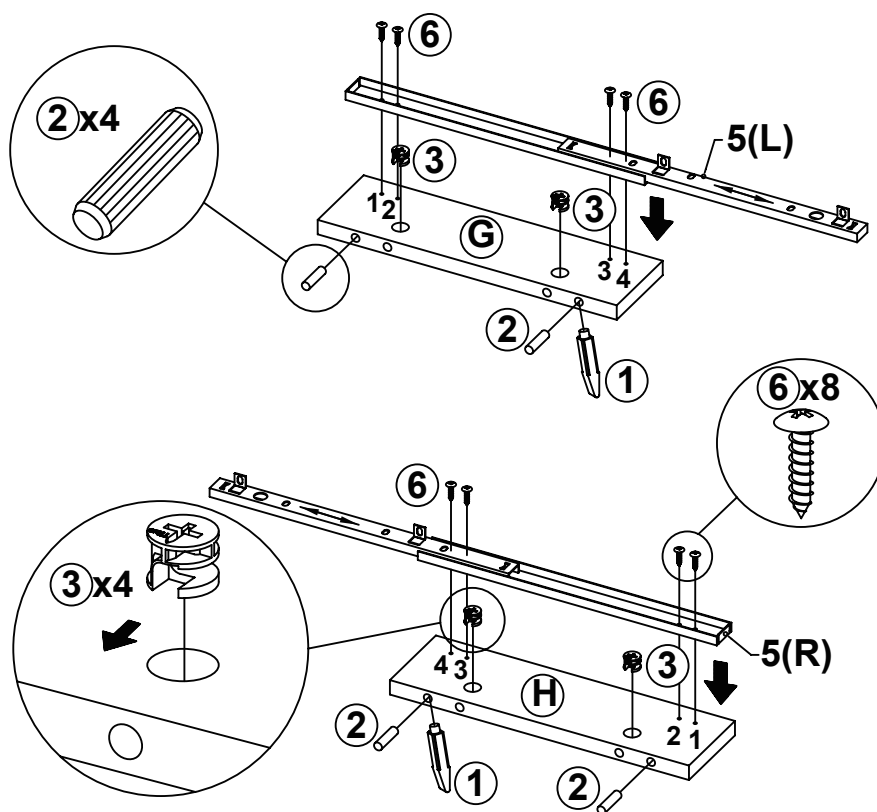
ITEM:800831

HARDWARE IDENTIFICATION

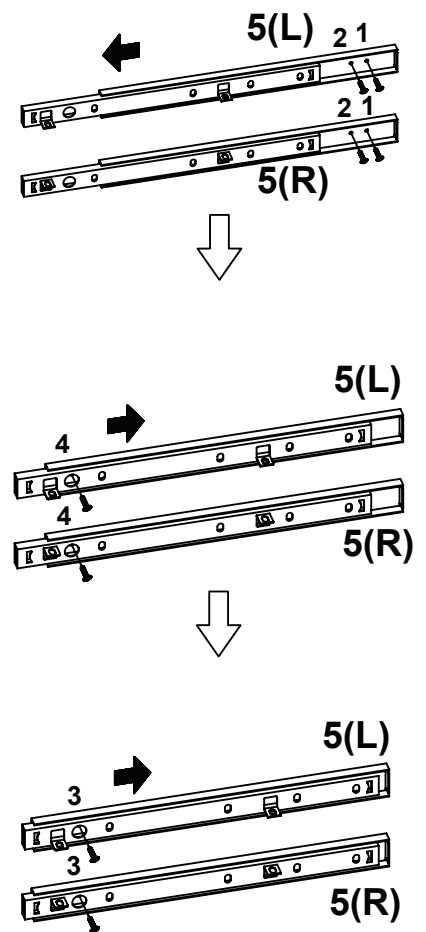
Z							
NO	DESCRIPTION	FIGURE	Q'TY	NO	DESCRIPTION	FIGURE	Q'TY
9	SCREW Ø 4.2x25.4mm		10PCS	12	BOLT Ø 6.2x18mm		1PC
10	BOLT Ø 4.5x12mm		5PCS	13	STICKER Ø 20mm		2PCS
11	BOLT Ø 6.2x45mm		4PCS				

Z5,Z6,Z7,Z8 not included in blister packaging.

STEP 1



The Glue (1) should be used in the indicated locations to help solidify the assembled unit.

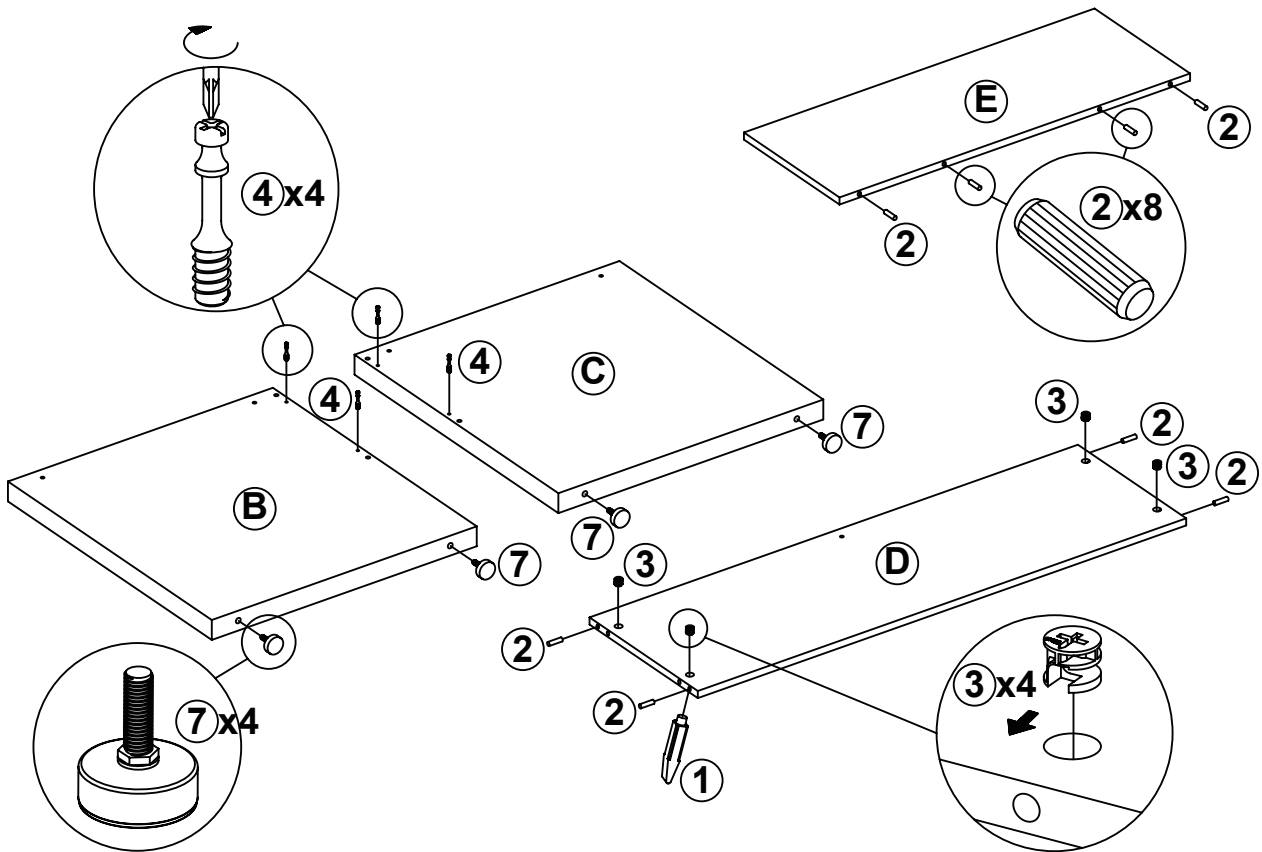


NOTE:

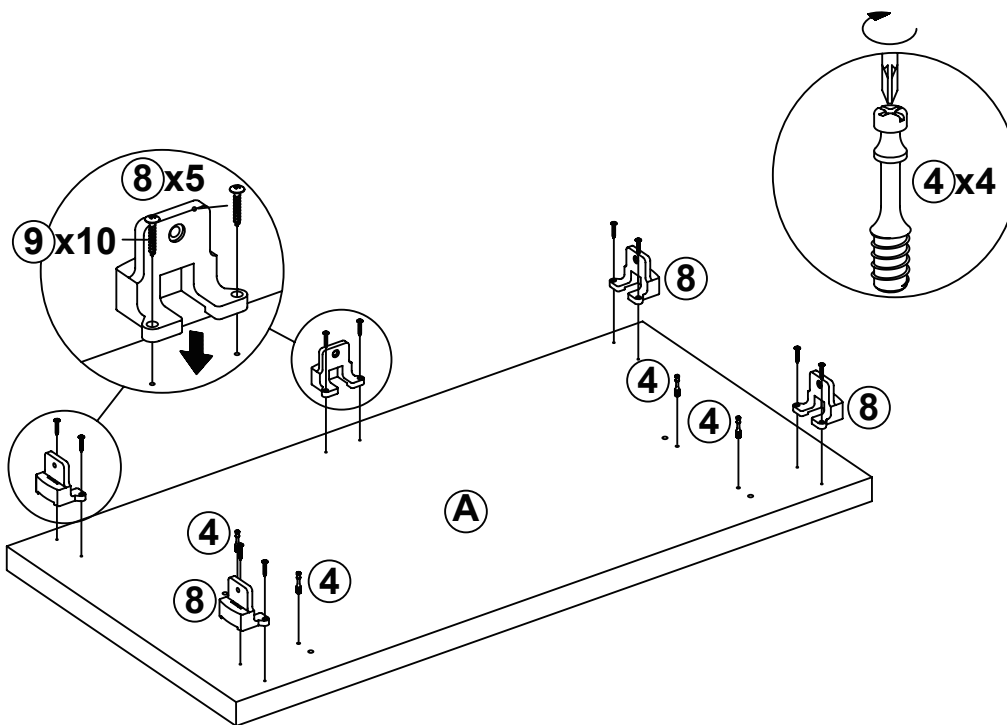
Phillips head screw driver is required in the assembly process; however, manufacturer does not provide this item.

ITEM: 800831

STEP 2

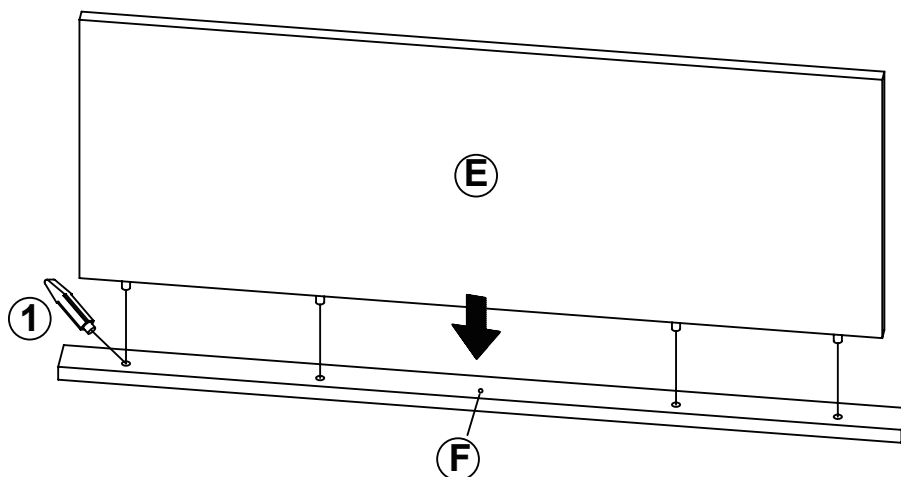


STEP 3

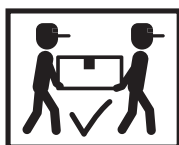
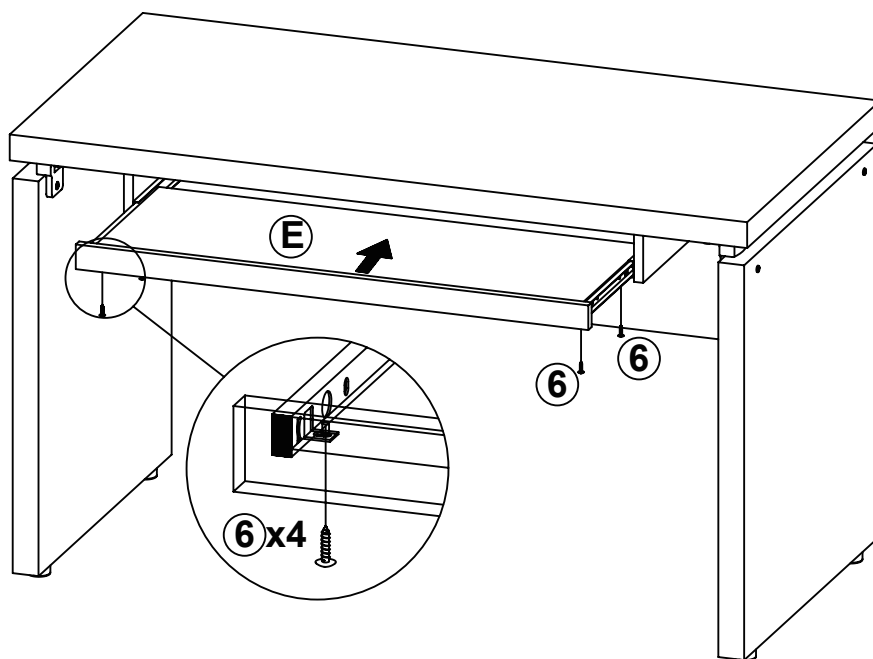


ITEM: **800831**

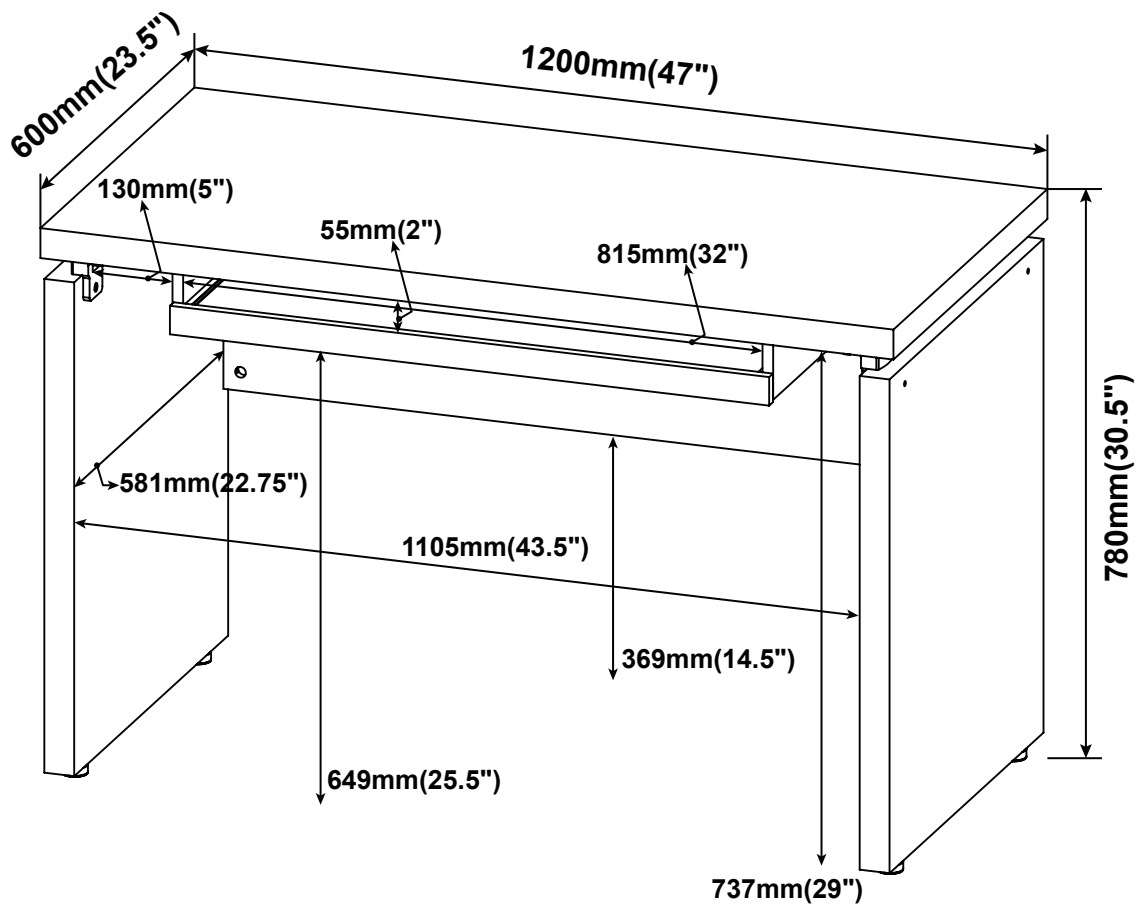
STEP 6



STEP 7



ITEM: 800831



Note : Dimension tolerance $\pm 5\%$