

*ASSEMBLY INSTRUCTIONS*  
*COASTER FINE FURNITURE*



*Fine Furniture for every stage of life*

**300079**  
**VANITY SET**

# ASSEMBLY INSTRUCTIONS

## ASSEMBLY TIPS:

1. Remove hardware from box and sort by size.
2. Please check to see that all hardware and parts are present prior to start of assembly.
3. Please follow attached instructions in the same sequence as numbered to assure fast & easy assembly.



### WARNING!

1. Don't attempt to repair or modify parts that are broken or defective. Please contact the store immediately.
2. This product is for home use only and not intended for commercial establishments.

ASSEMBLY TIME

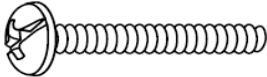


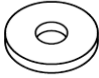
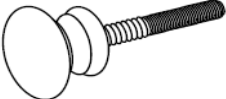
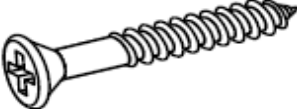
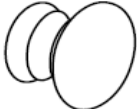
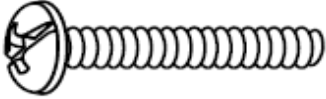

20 MINUTES

## PARTS IDENTIFICATION

A	TABLE		1 PC
B	LONG LEG		4 PCS
C	MIRROR		1 PC
D	CROSS BAR		1 PC
E	POST		2 PCS
F	SEAT CUSHION		1 PC
G	SHORT LEG		4 PCS

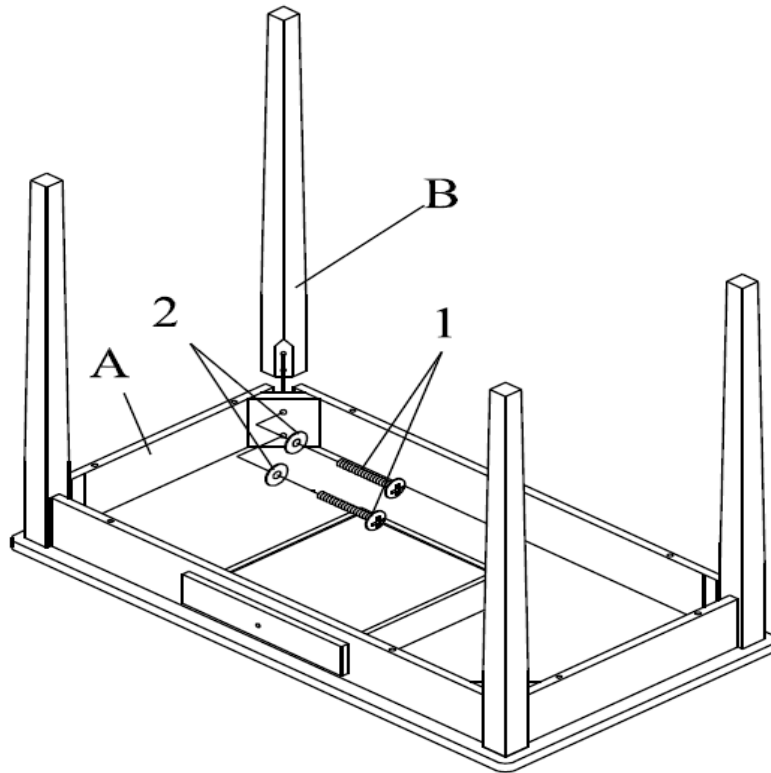
**ASSEMBLY INSTRUCTIONS**

**HARDWARE IDENTIFICATION**

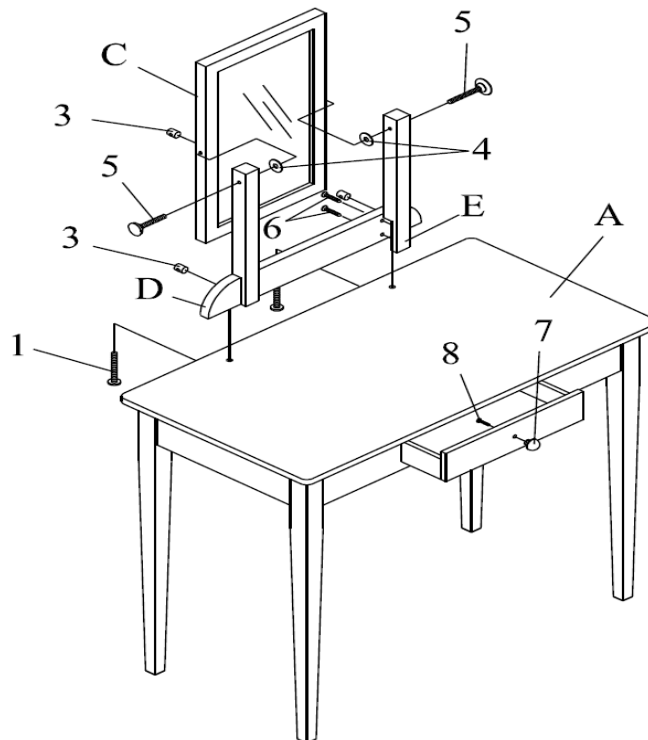
1	<p><b>BOLT</b> (1/4" x 1-3/4" RBW)</p>		18 PCS
2	<p><b>WASHER</b> (1/4" X 19mm RBW)</p>		16 PCS
3	<p><b>CROSS DOWEL BARREL NUT</b> (1/4" x 12mm RBW)</p>		4 PCS
4	<p><b>WASHER</b> (1/4" x14mm BLK)</p>		2PCS
5	<p><b>BRASS EYEBOLT</b> (1/4" x 2" BLK)</p>		2 PCS
6	<p><b>SCREW</b> (Ø7 x 1-1/8" RBW)</p>		4 PCS
7	<p><b>KNOB</b> (Ø25mm SR)</p>		1 PC
8	<p><b>BOLT</b> (5/32" x 1-1/4" SR)</p>		1 PC
9	<p><b>SPRING WASHER</b> (1/4" x11mm RBW)</p>		8 PCS

ITEM: **300079**

**ASSEMBLY INSTRUCTIONS**  
**STEP 1**



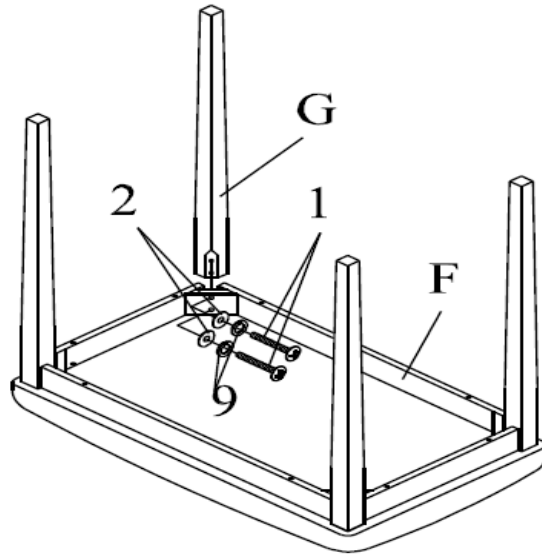
**STEP 2**



ITEM: **300079**

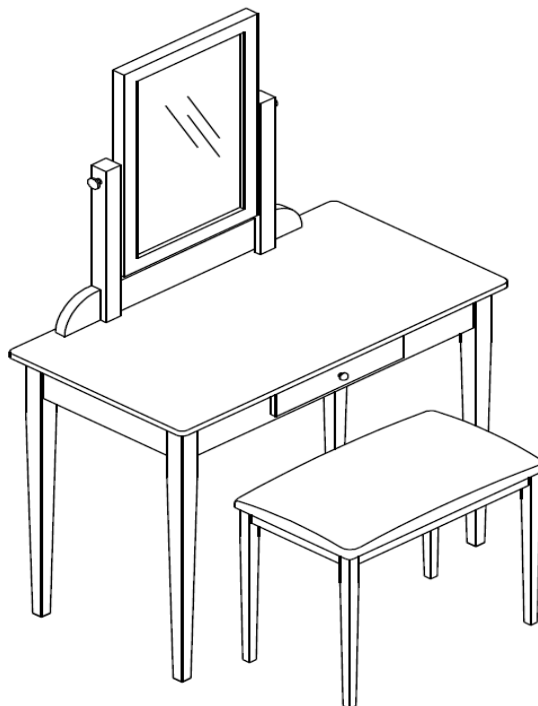
**ASSEMBLY INSTRUCTIONS**

**STEP 3**

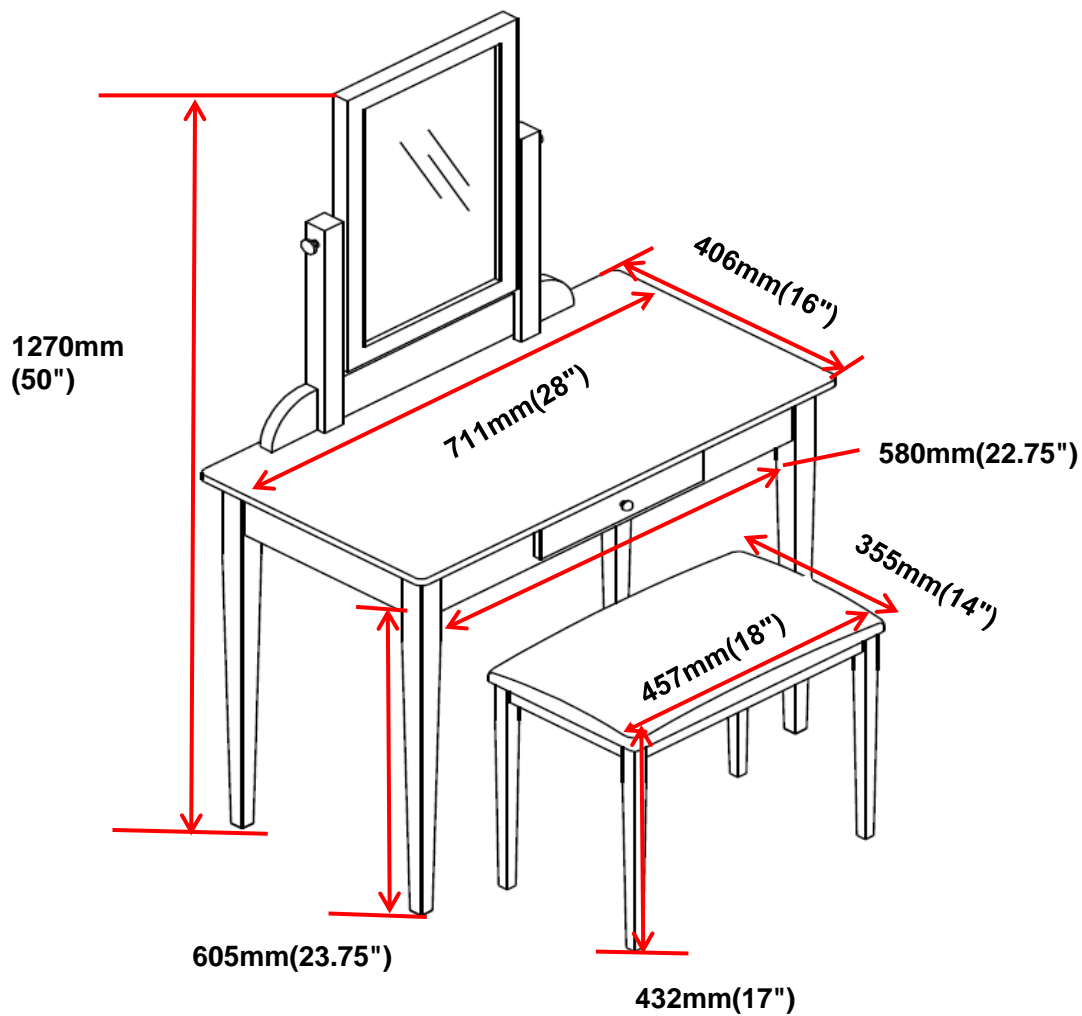


**STEP 4**

**COMPLETE**



ITEM:300079



Note : Dimension tolerance  $\pm 5\%$