

**ASSEMBLY INSTRUCTIONS**  
**COASTER FINE FURNITURE**



*Fine Furniture for every stage of life*

**800109**  
**OFFICE DESK**

# ITEM:800109

## ASSEMBLY INSTRUCTIONS

### ASSEMBLY TIPS:

1. Remove hardware from box and sort by size.
2. Please check to see that all hardware and parts are present prior to start of assembly.
3. Please follow attached instructions in the same sequence as numbered to assure fast & easy assembly.



### WARNING!

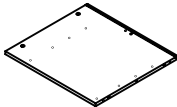
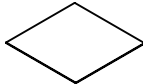
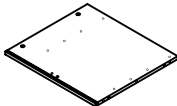
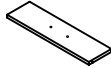
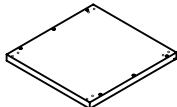

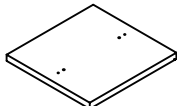

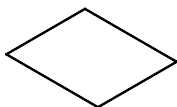

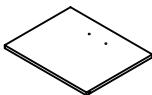

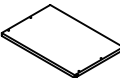
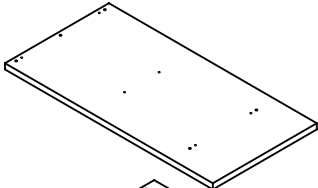
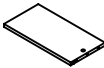
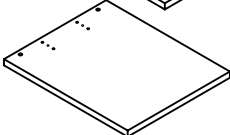
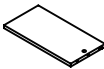
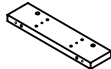
1. Don't attempt to repair or modify parts that are broken or defective. Please contact the store immediately.
2. This product is for home use only and not intended for commercial establishments.



ASSEMBLY TIME

50 MINUTES

## PARTS IDENTIFICATION

A	LEFT SIDE PANEL		1 PC	J	DRAWER BOTTOM PANEL		2 PCS
B	RIGHT SIDE PANEL		1 PC	K	SMALL DRAWER FRONT PANEL		1 PC
C	BOTTOM PANEL		1 PC	L	SMALL DRAWER BACK PANEL		1 PC
D	SMALL TOP PANEL		1 PC	M	SMALL LEFT DRAWER SIDE PANEL		1 PC
E	BACK PANEL		1 PC	N	SMALL RIGHT DRAWER SIDE PANEL		1 PC
F	LARGE DRAWER FRONT PANEL		1 PC	O	SMALL CROSS BRACE		1 PC
G	LARGE DRAWER BACK PANEL		1 PC	P	LARGE TOP PANEL		1 PC
H	LARGE LEFT DRAWER SIDE PANEL		1 PC	Q	SIDE PANEL		1 PC
I	LARGE RIGHT DRAWER SIDE PANEL		1 PC	R	DIVIDER PANEL		1 PC

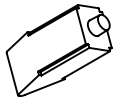

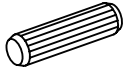
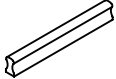
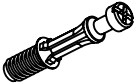






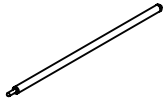
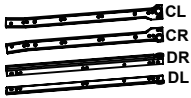
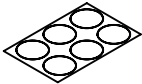

### NOTE:

Phillips head screw driver is required in the assembly process; however, manufacturer does not provide this item.

# ITEM:800109

S LARGE CROSS BRACE  1 PC

## HARDWARE IDENTIFICATION

Z								
NO	DESCRIPTION	FIGURE	Q'TY	NO	DESCRIPTION	FIGURE	Q'TY	
1	GLUE 40g		1 PC	9	PLASTIC FEET Ø 15mm		2 PCS	
2	WOODEN DOWEL Ø 8x30mm		29 PCS	10	HANDLE L=120mm		2 PCS	
3	CAM BOLT Ø 7x35.5mm SR		17 PCS	11	HANDLE BOLT Ø 4x28mm SR		4 PCS	
4	CAM LOCK Ø15x12mm SR		17 PCS	12	FOOT 50x50x18mm		4 PCS	
5	BOLT Ø9.5x55mm SR		8 PCS	13	FOOT SCREW Ø 5x23mm SR		8 PCS	
6	DRAWER SCREW Ø4.3x35mm SR		8 PCS	14	IRON BAR Ø 9.5x402mmSR		2 PCS	
7	RAIL L = 400mm WHT		2 SET	15	STICKER Ø 20mm		4 PCS	
8	RAIL SCREW Ø 3x12mm SR		28 PCS					

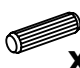



Z7,Z10,Z11,Z12,Z14 not included in blister packaging.

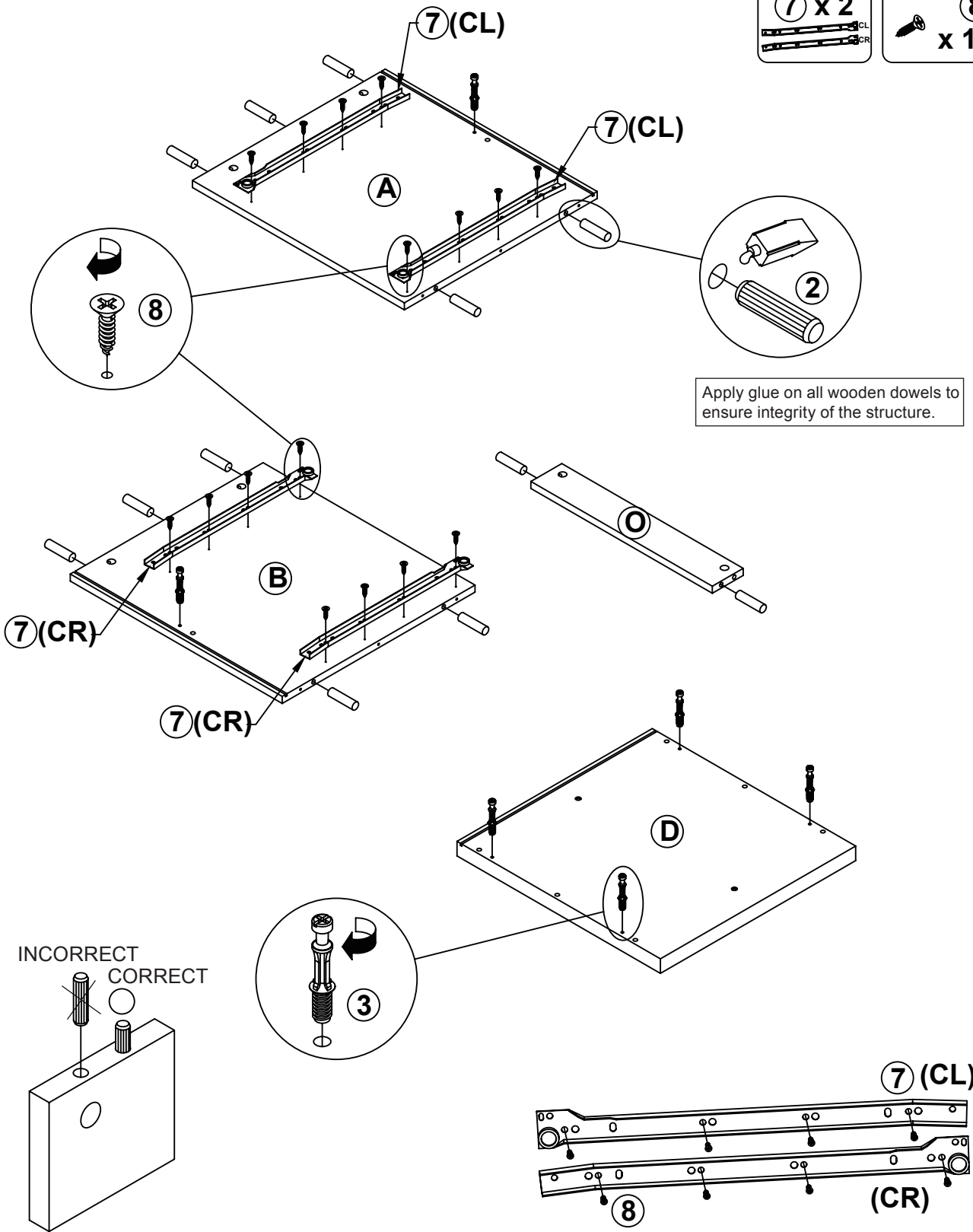
### NOTE:

Phillips head screw driver is required in the assembly process; however, manufacturer does not provide this item.

ITEM: 800109

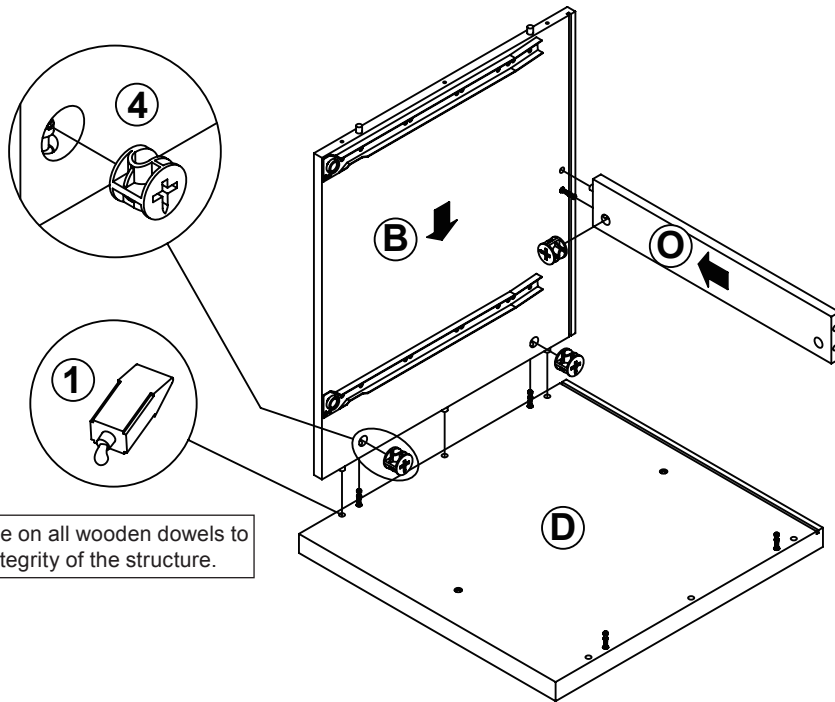
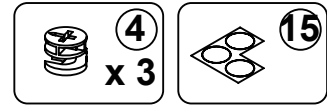
**STEP 1**

- |   |   |
|---|---|
|  ②<br>x 12         |  ③<br>x 6  |
|  ⑦ x 2<br>CL<br>CR |  ⑧<br>x 16 |

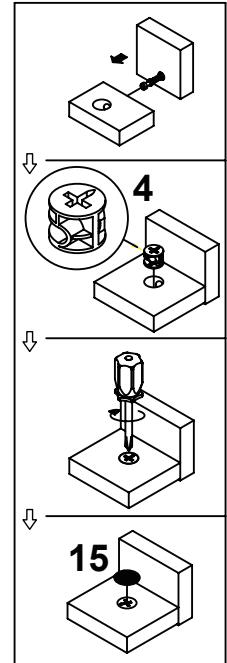


ITEM: 800109

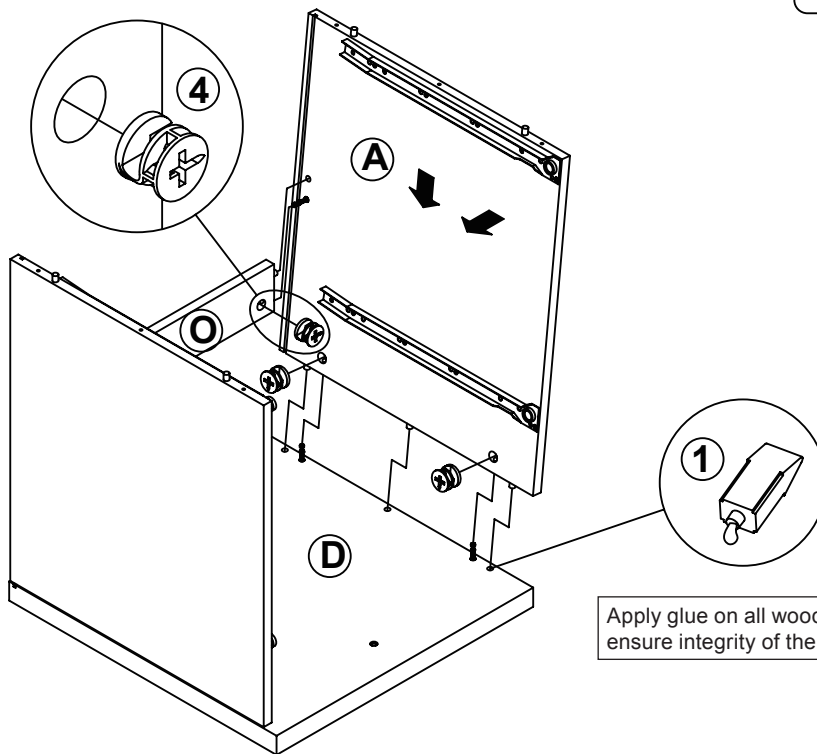
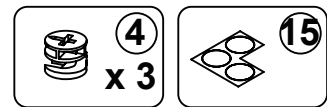
**STEP 2**



Apply glue on all wooden dowels to ensure integrity of the structure.



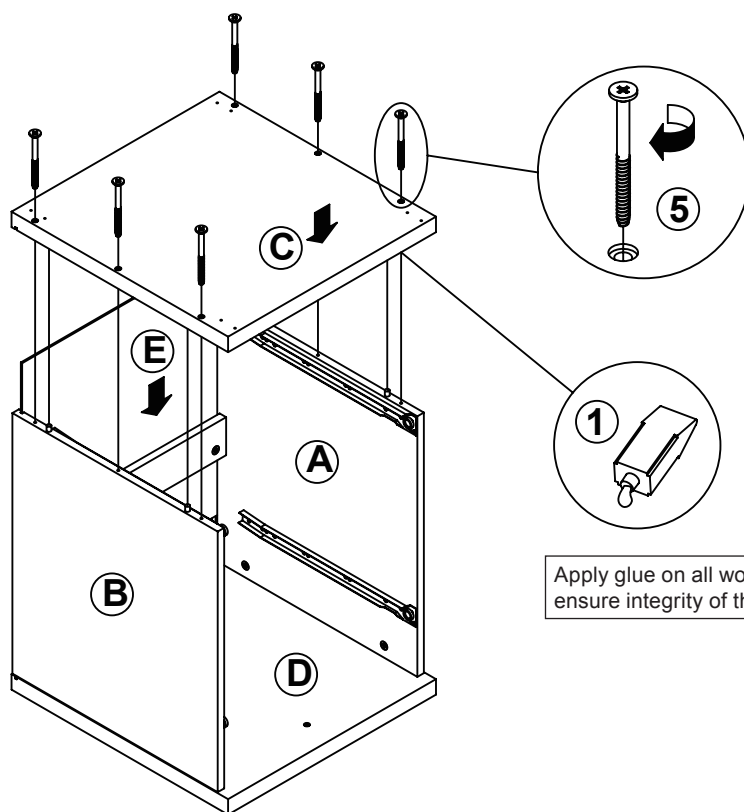
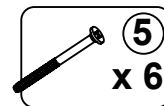
**STEP 3**



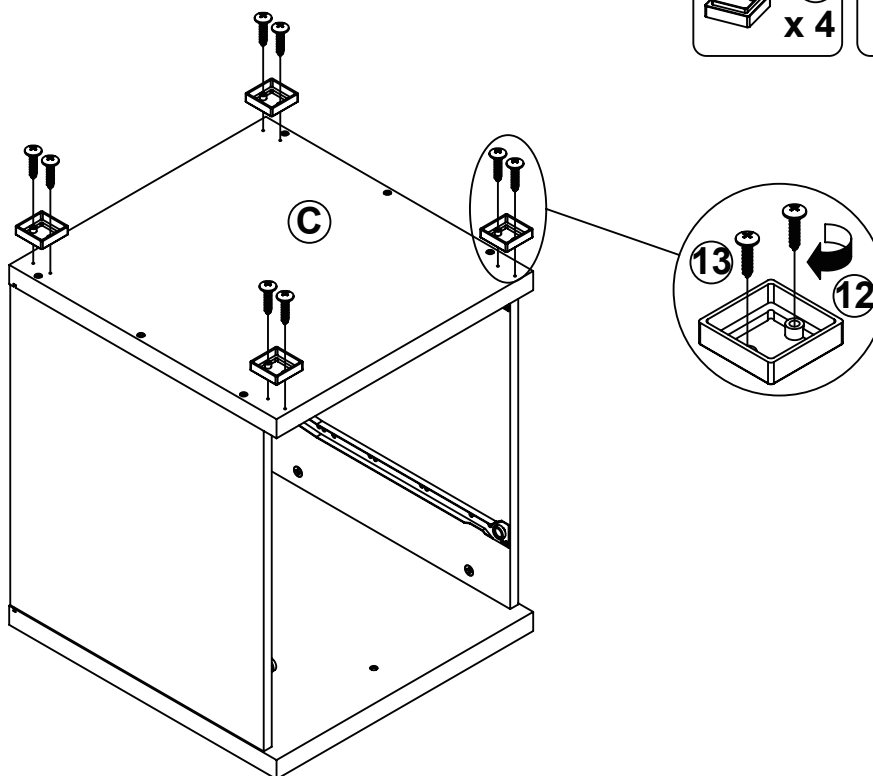
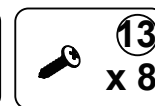
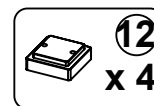
Apply glue on all wooden dowels to ensure integrity of the structure.

ITEM: 800109

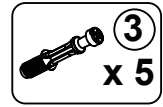
**STEP 4**



**STEP 5**

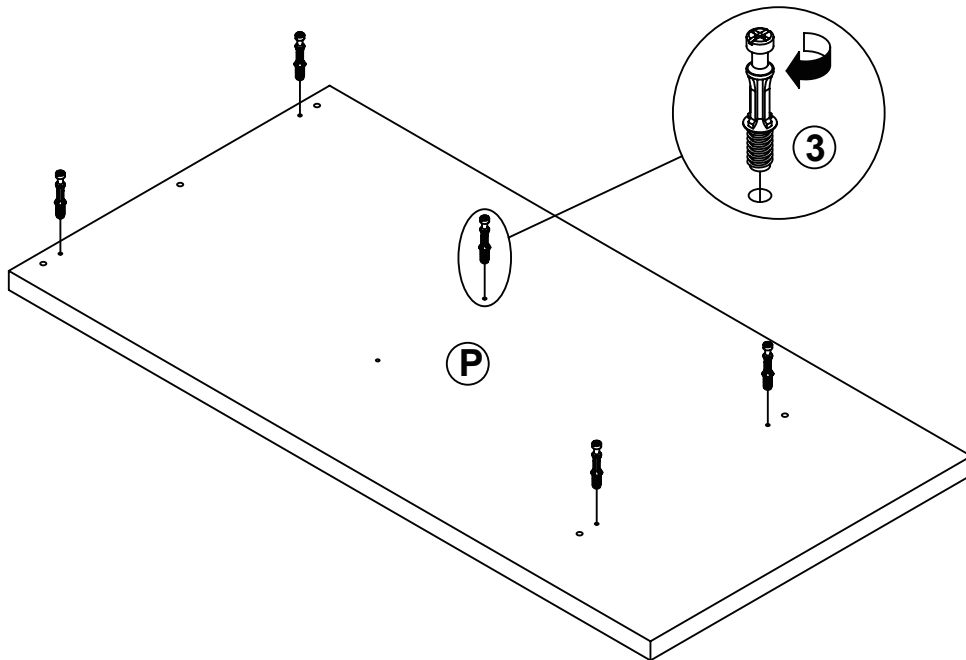


ITEM: 800109



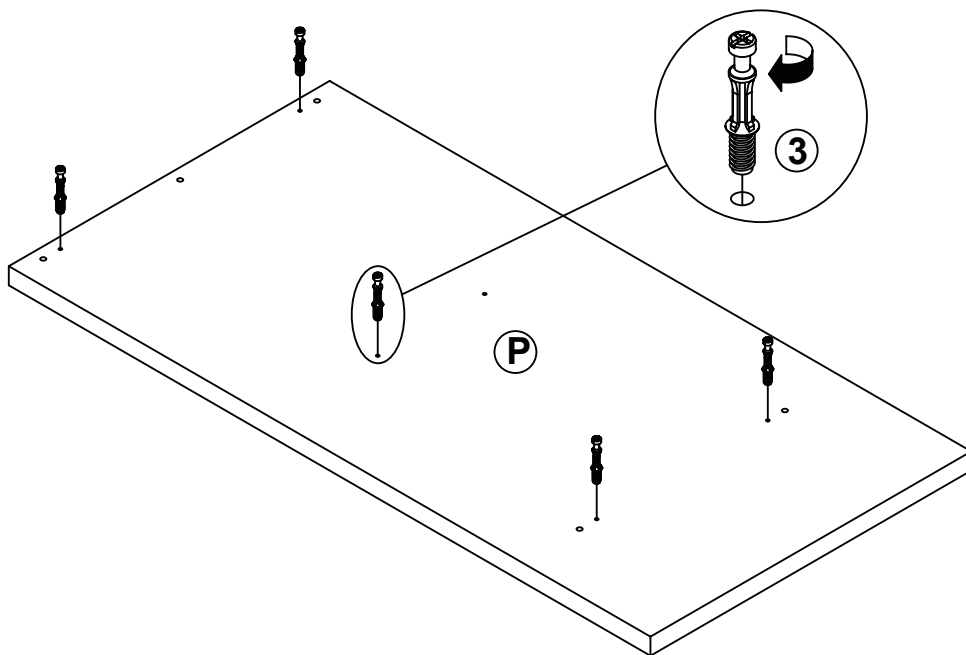
**STEP 6**

LEFT



**STEP 6**

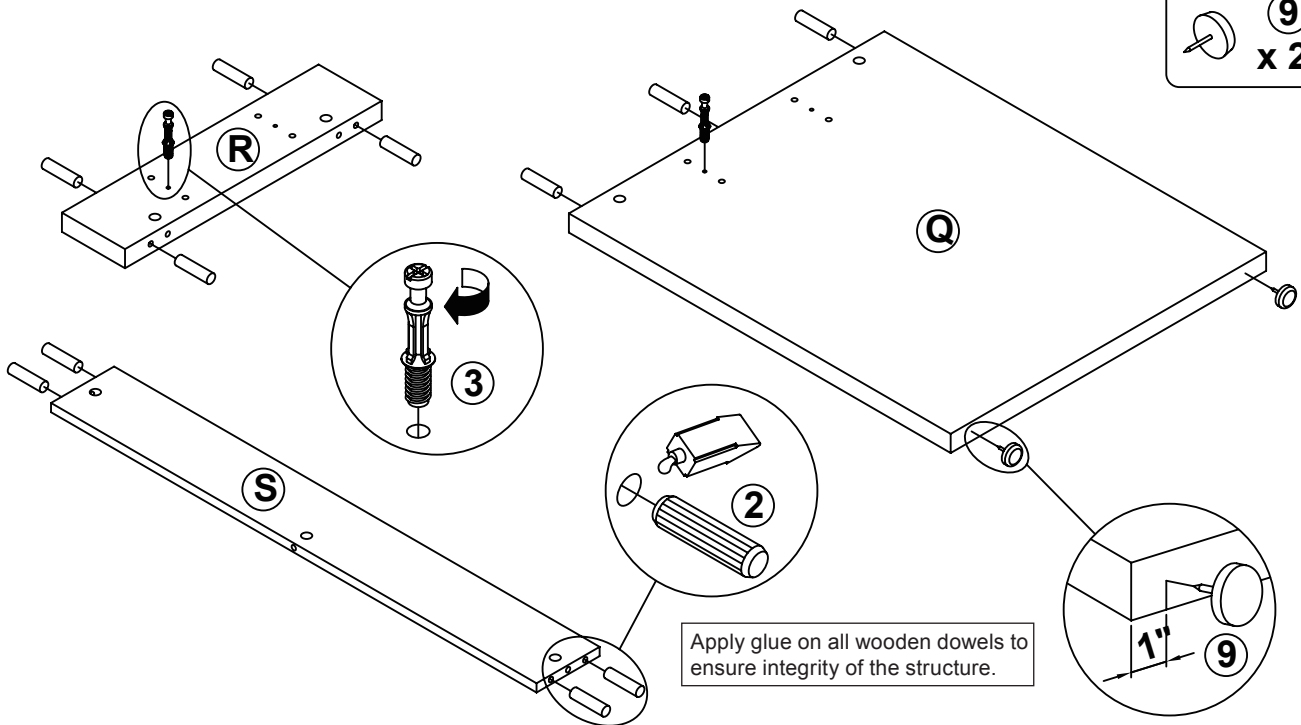
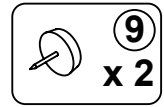
RIGHT



ITEM: 800109

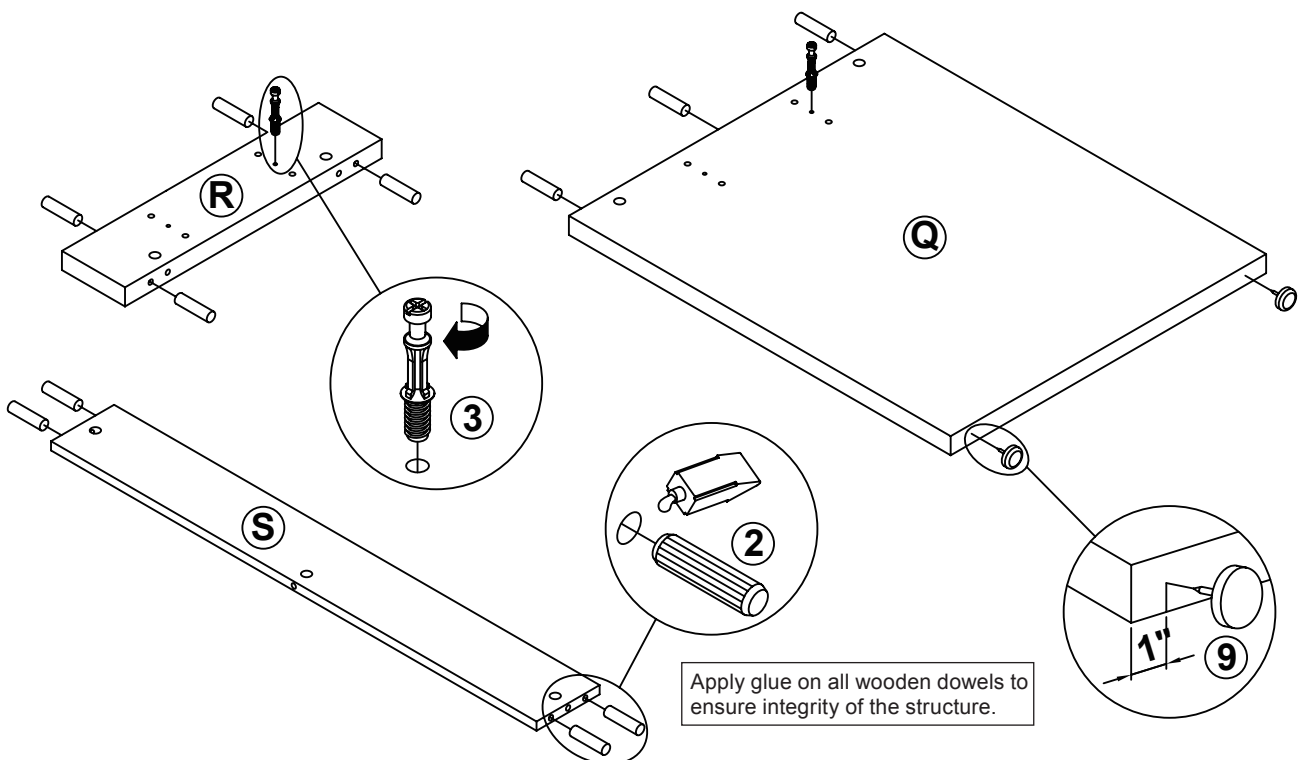
**STEP 7**

LEFT



**STEP 7**

RIGHT



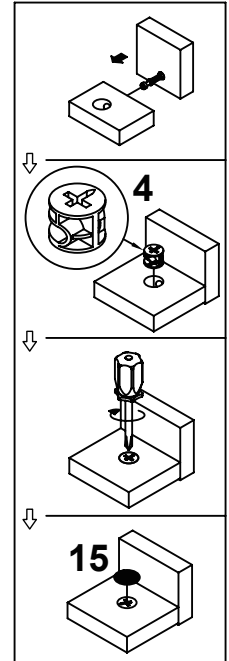
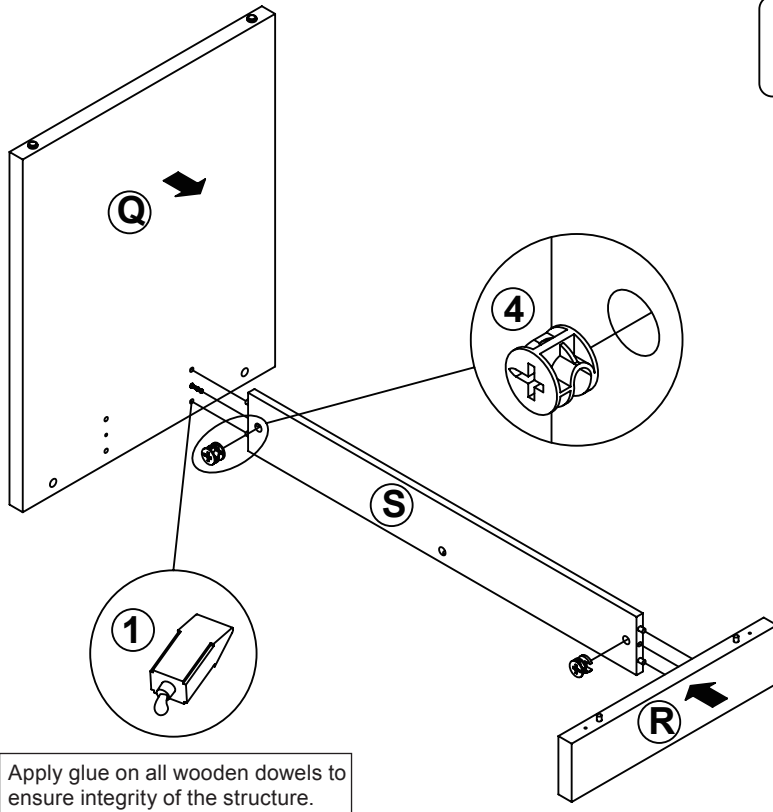
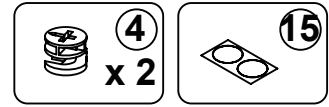


ITEM: 800109

**COASTER**  
FINE FURNITURE

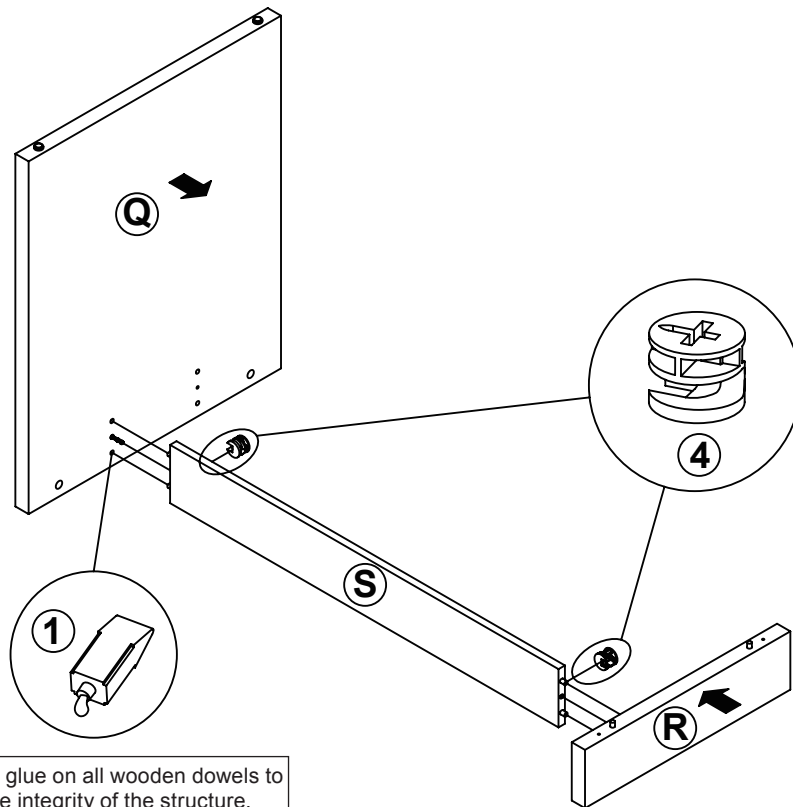
**STEP 8**

**LEFT**



**STEP 8**

**RIGHT**

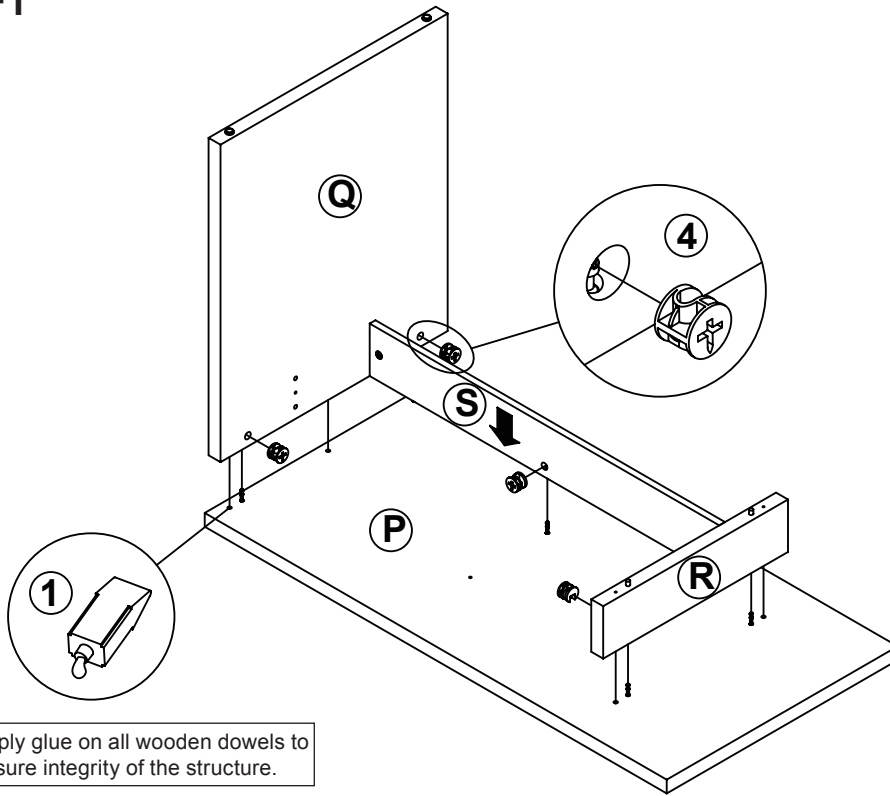
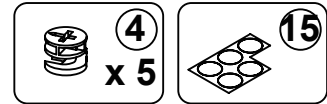


ITEM: 800109

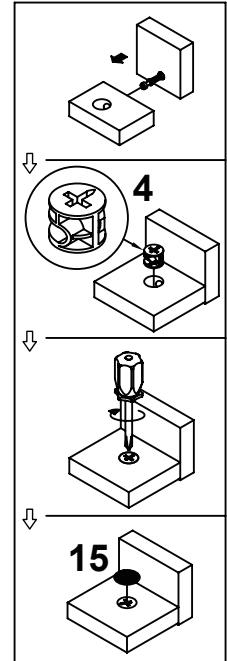
**COASTER**  
FINE FURNITURE

**STEP 9**

**LEFT**

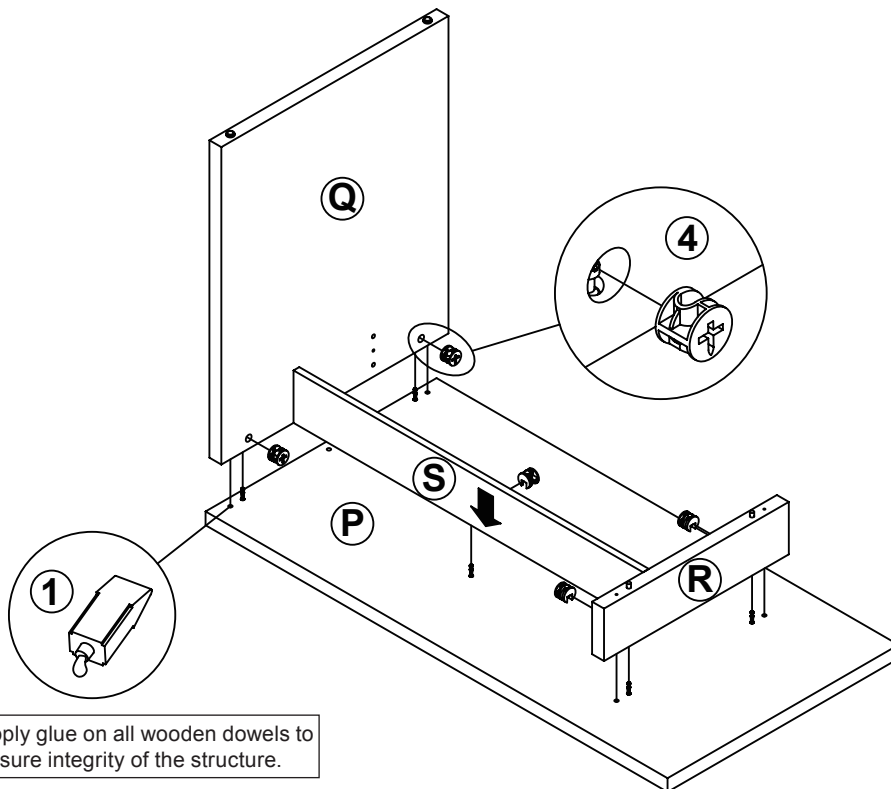


Apply glue on all wooden dowels to ensure integrity of the structure.



**STEP 9**

**RIGHT**



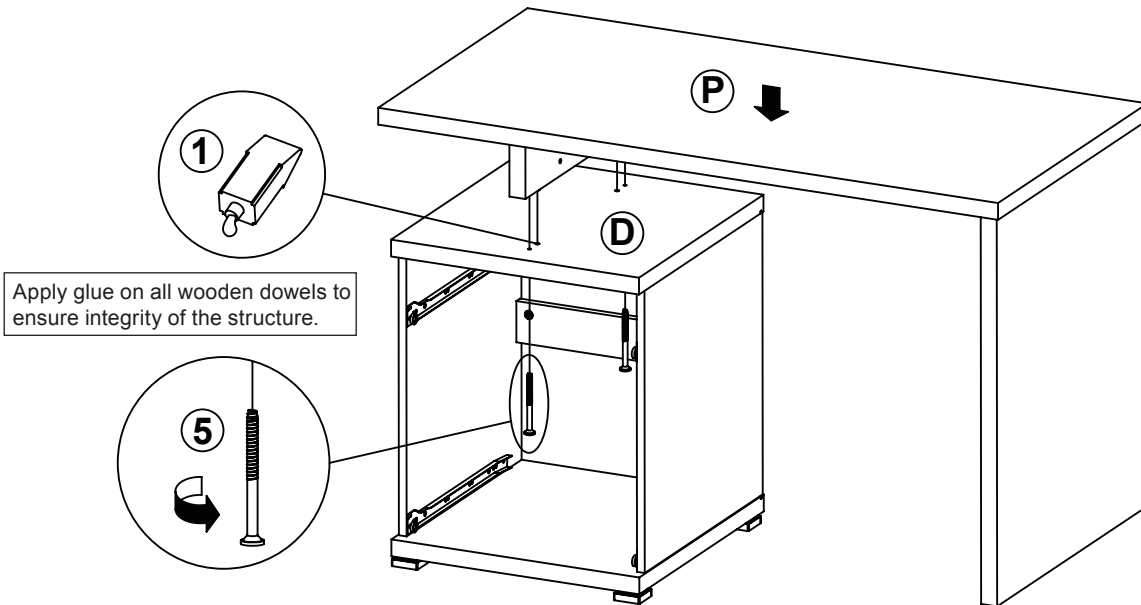
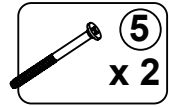
Apply glue on all wooden dowels to ensure integrity of the structure.

ITEM: **800109**

**COASTER**  
FINE FURNITURE

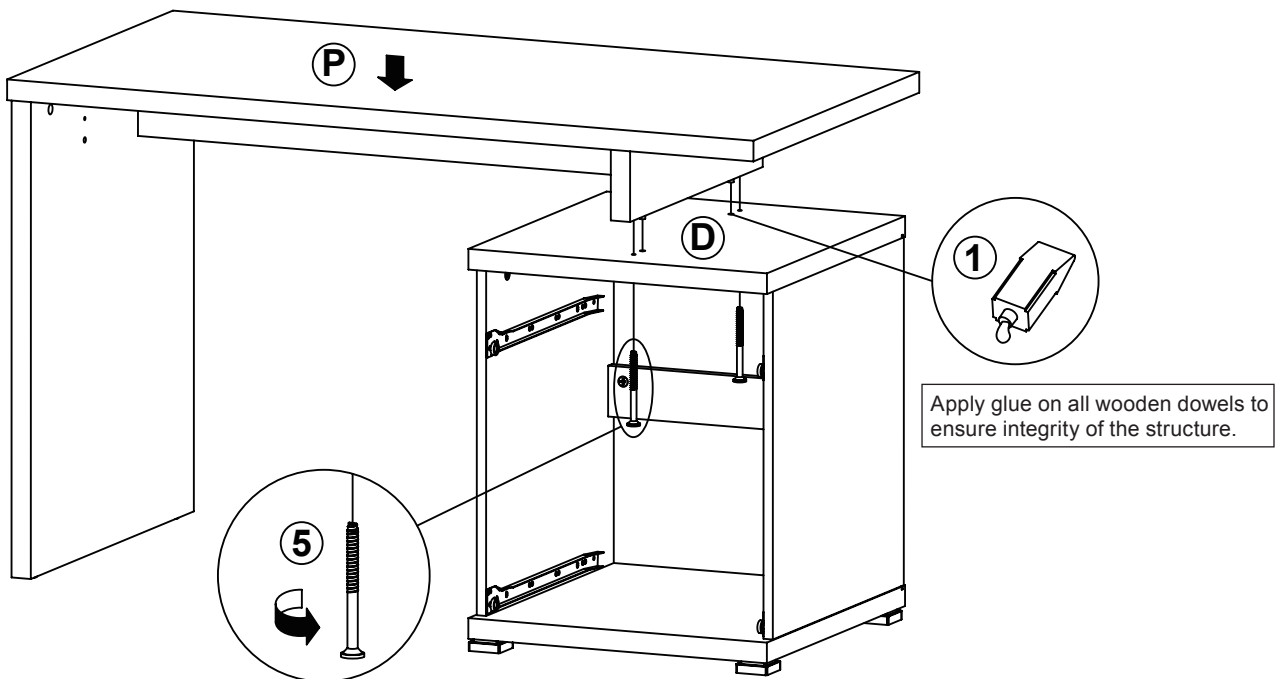
**STEP 10**

**LEFT**

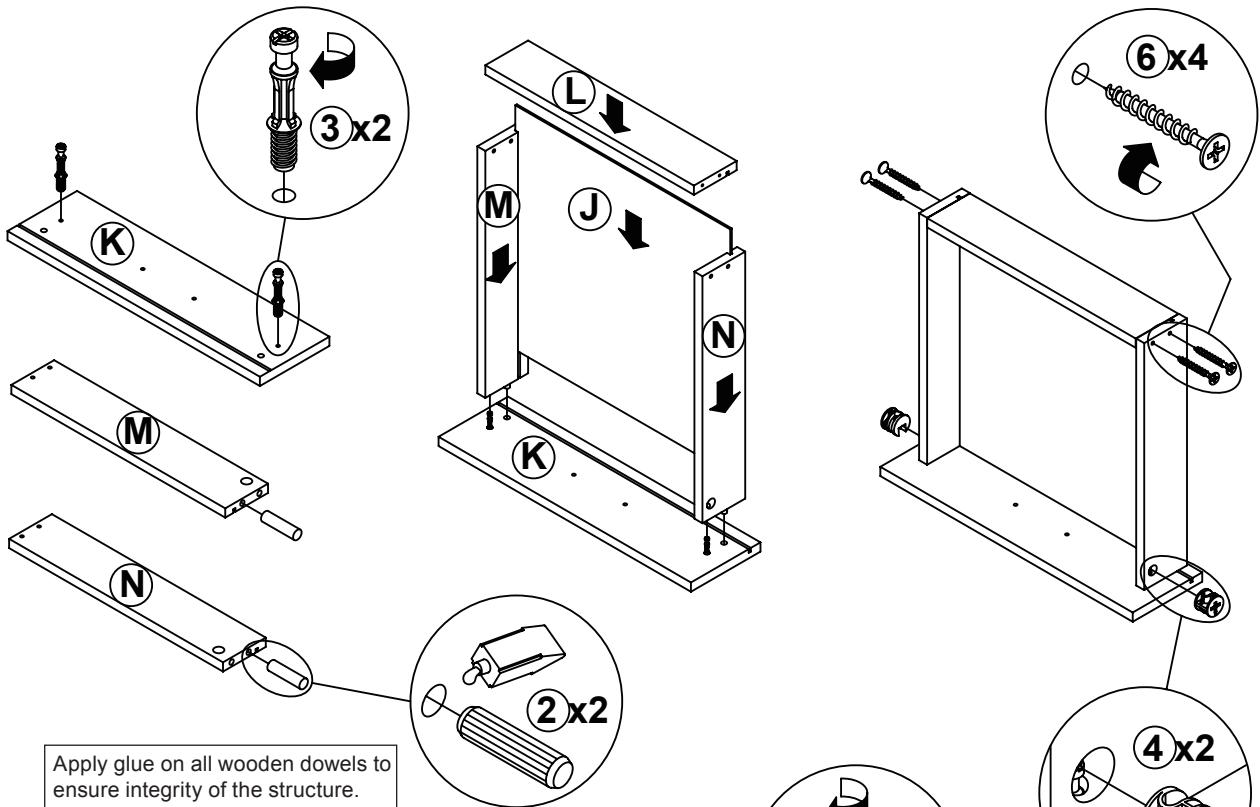


**STEP 10**

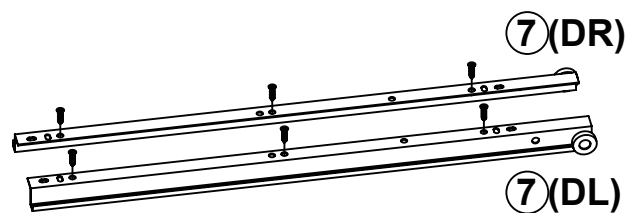
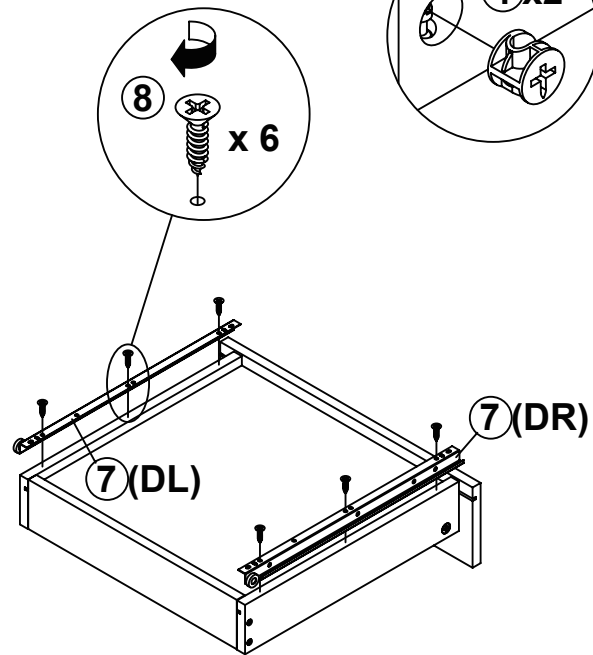
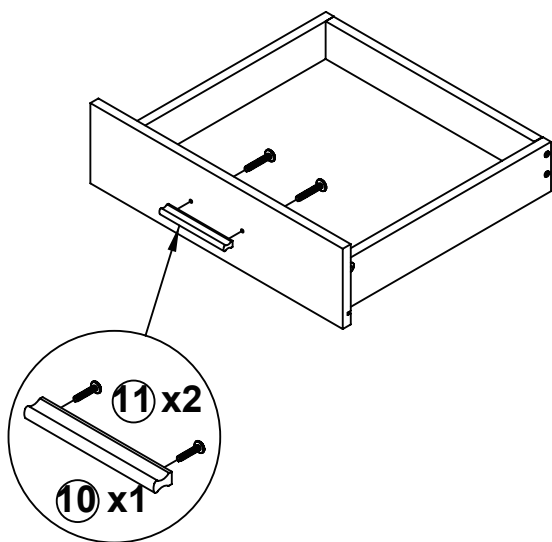
**RIGHT**



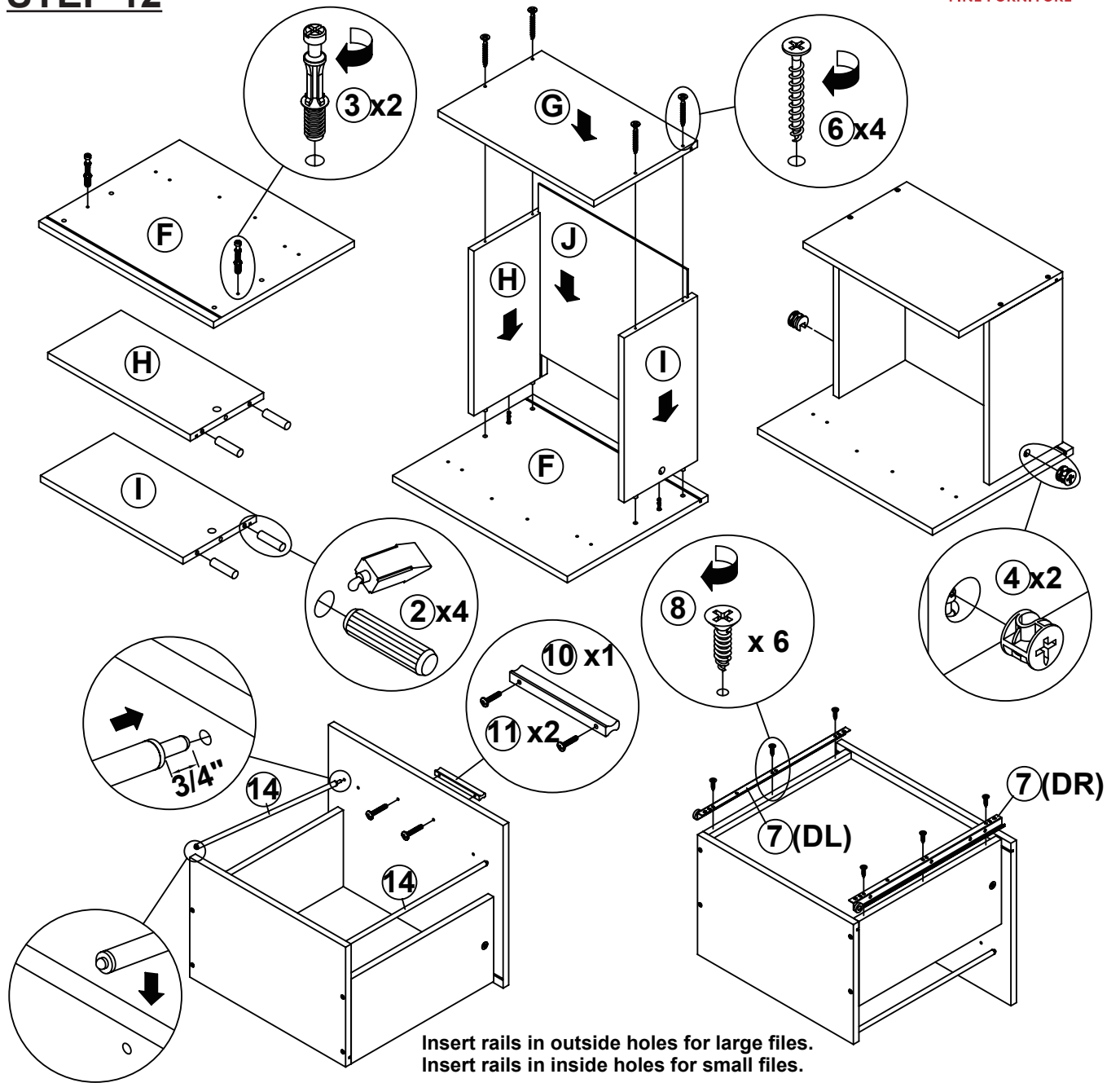
**STEP 11**



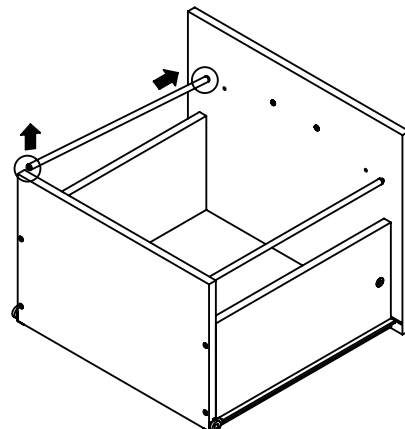
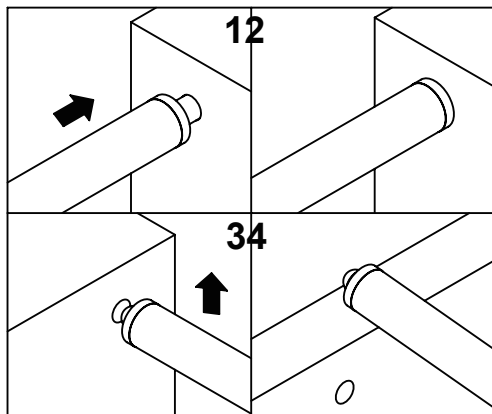
Apply glue on all wooden dowels to ensure integrity of the structure.



**STEP 12**



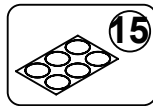
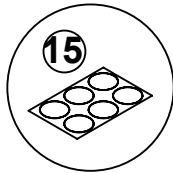
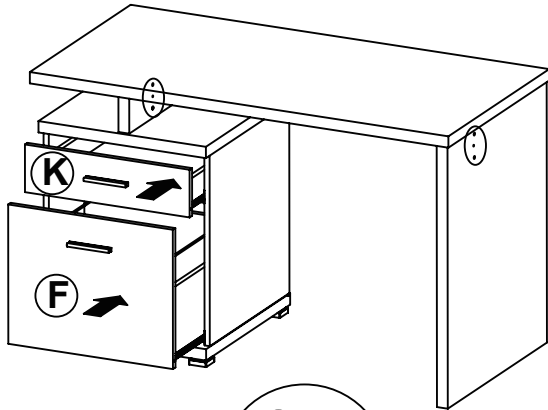
Insert rails in outside holes for large files.  
Insert rails in inside holes for small files.



ITEM: **800109**

**STEP 13**

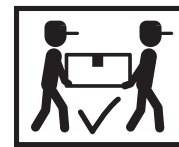
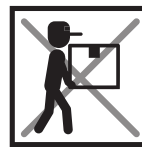
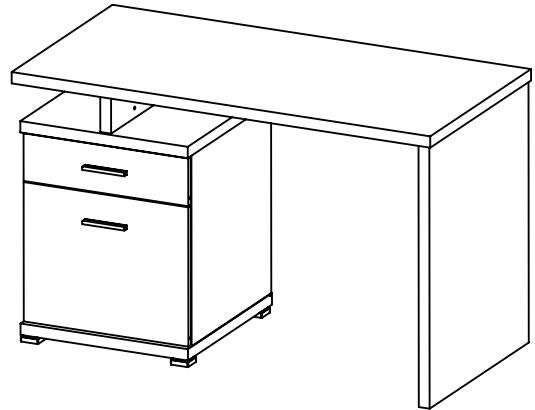
**LEFT**



**STEP 14**

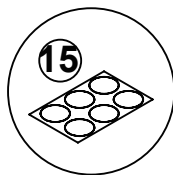
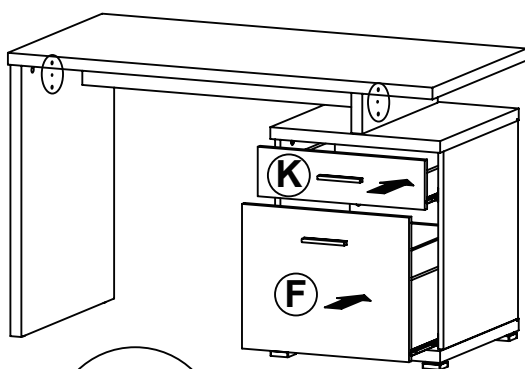
**LEFT**

**COMPLETE**



**STEP 13**

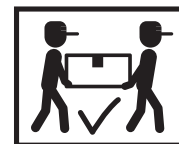
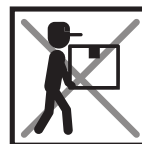
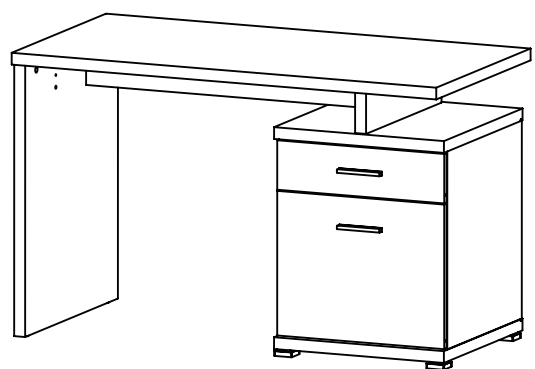
**RIGHT**

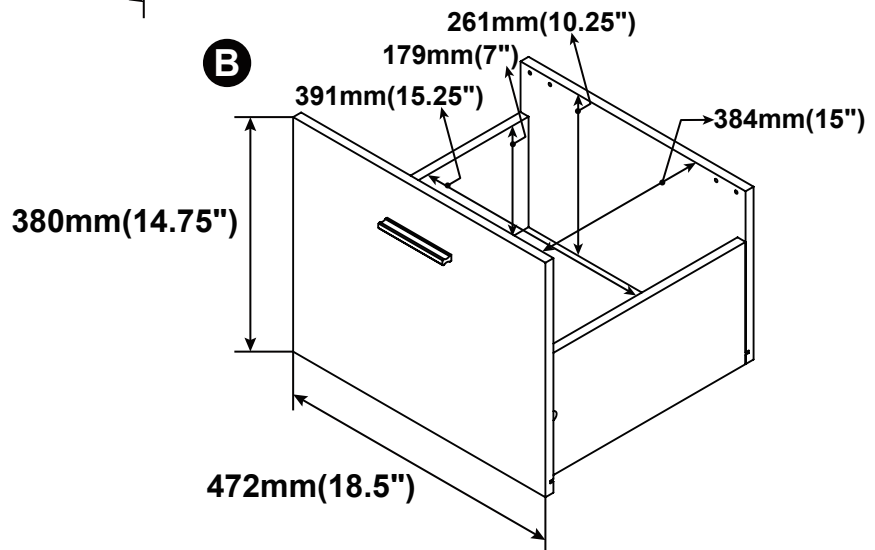
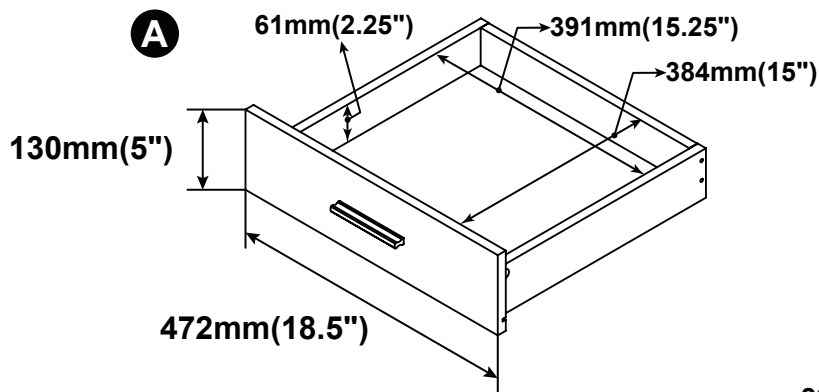
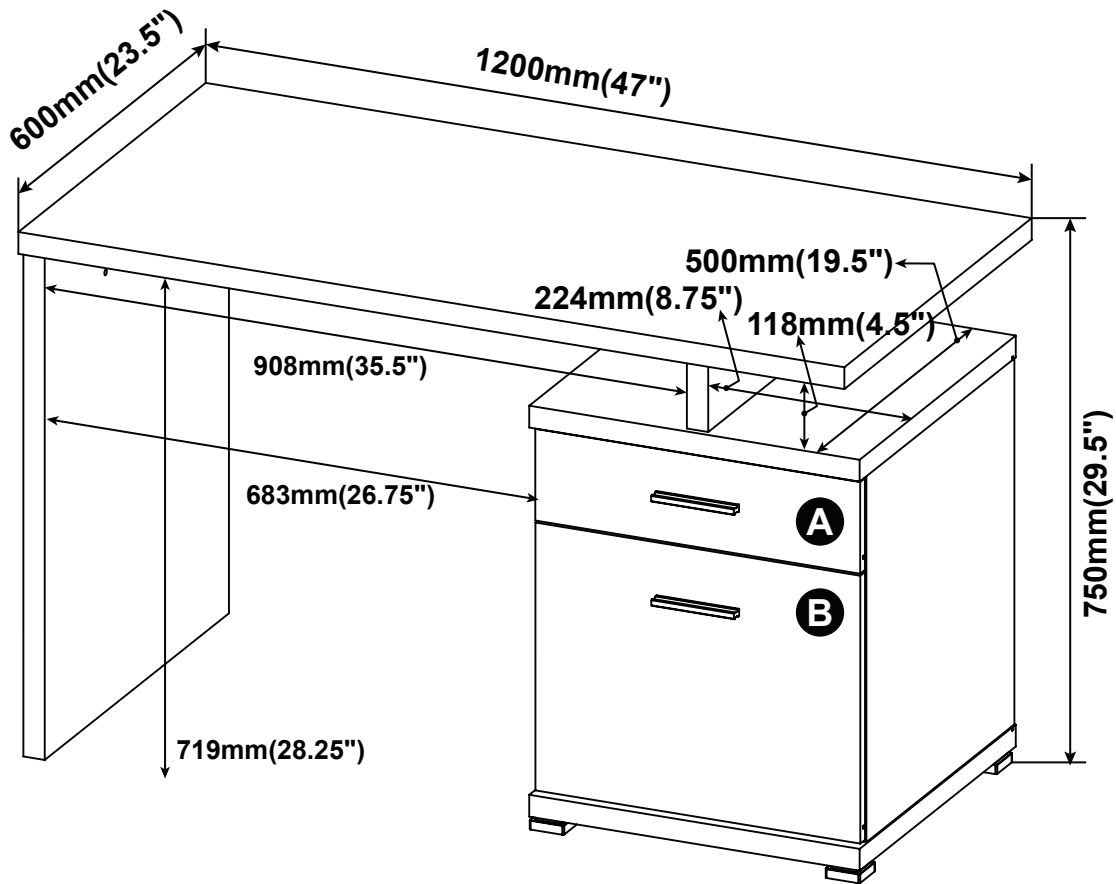


**STEP 14**

**RIGHT**

**COMPLETE**





Note : Dimension tolerance  $\pm 5\%$