

*ASSEMBLY INSTRUCTIONS  
COASTER FINE FURNITURE*



*Fine Furniture for every stage of life*

**900012**  
***CEDAR CHEST***

# ITEM: 900012

## ASSEMBLY INSTRUCTIONS

### ASSEMBLY TIPS:

1. Remove hardware from box and sort by size.
2. Please check to see that all hardware and parts are present prior to start of assembly.
3. Please follow attached instructions in the same sequence as numbered to assure fast & easy assembly.



### WARNING!

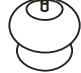
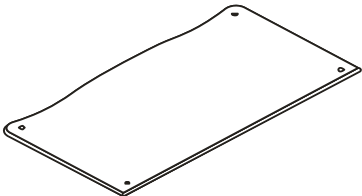
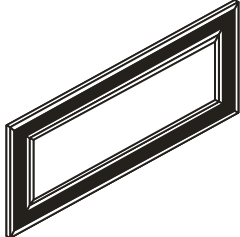

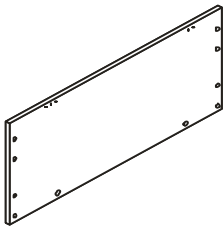
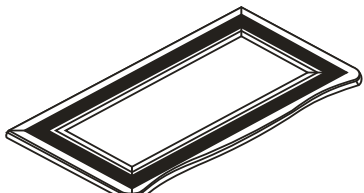
1. Don't attempt to repair or modify parts that are broken or defective. Please contact the store immediately.
2. This product is for home use only and not intended for commercial establishments.



ASSEMBLY TIME

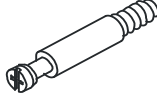


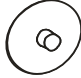
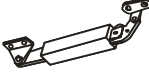


30 MINUTES

## PARTS IDENTIFICATION

AN	LEG		4 PCS
BN	BASE PANEL		1 PC
CN	FRONT PANEL		1 PC
DN	SIDE PANEL		2 PCS
EN	BACK PANEL		1 PC
FN	TOP PANEL		1 PC

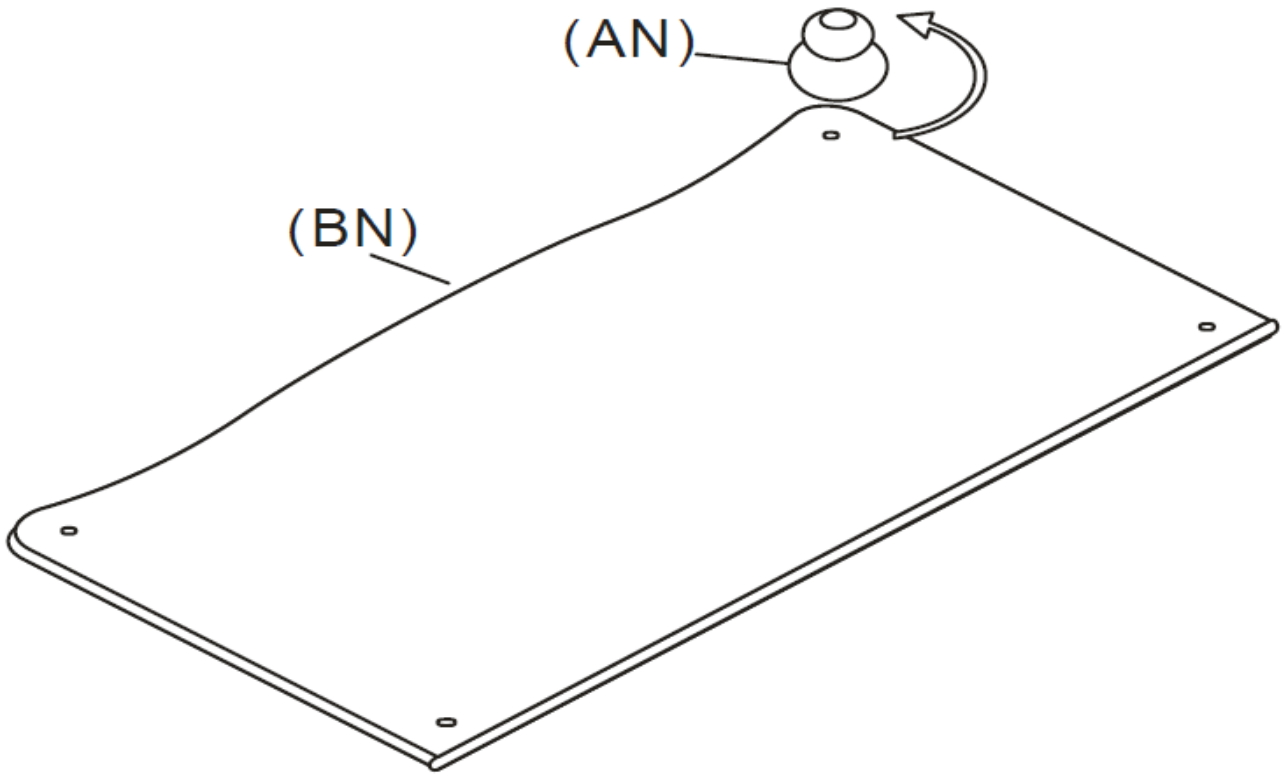
**ASSEMBLY INSTRUCTIONS**

**HARDWARE IDENTIFICATION**

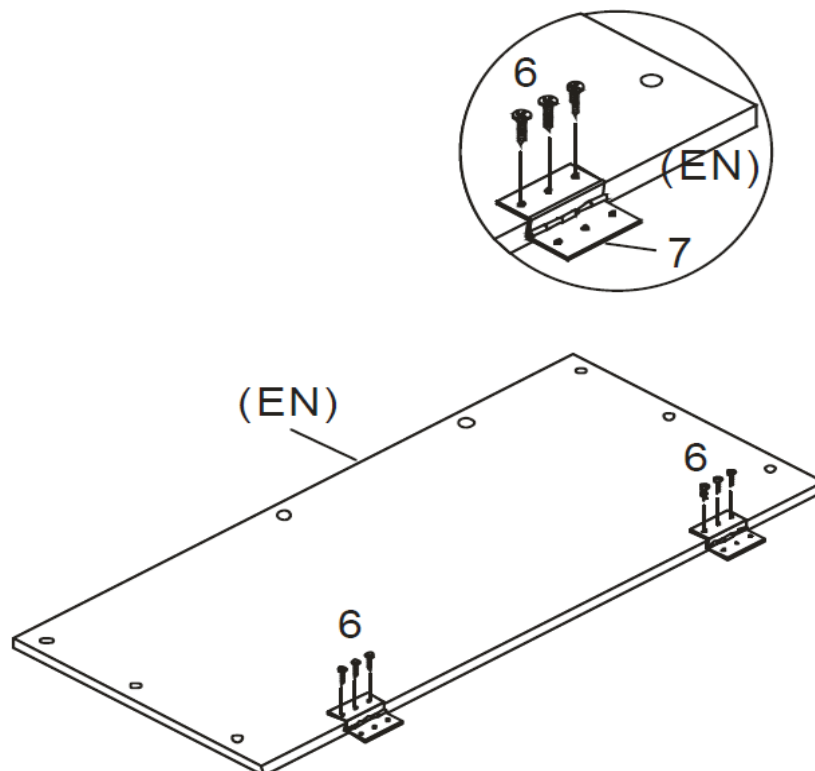
1	<b>METAL CAME SCREW</b> (Ø3 x 35mm SR)		14 PCS
2	<b>WOOD DOWEL</b> (Ø8 x 30mm SR)		6 PCS
3	<b>CAM LOCK</b> (Ø15 x 9mm)		14 PCS
4	<b>COVER</b> (Ø18 x 3mm)		14 PCS
5	<b>LID STAY</b> (160 x 30 x 16mm)		2PCS
6	<b>WOOD SCREWS</b> (Ø3.5 x 12mm)		24 PCS
7	<b>HINGE</b> (76 x 1.6mm)		2 PCS

ITEM: **900012**

**ASSEMBLY INSTRUCTIONS**  
**STEP 1**

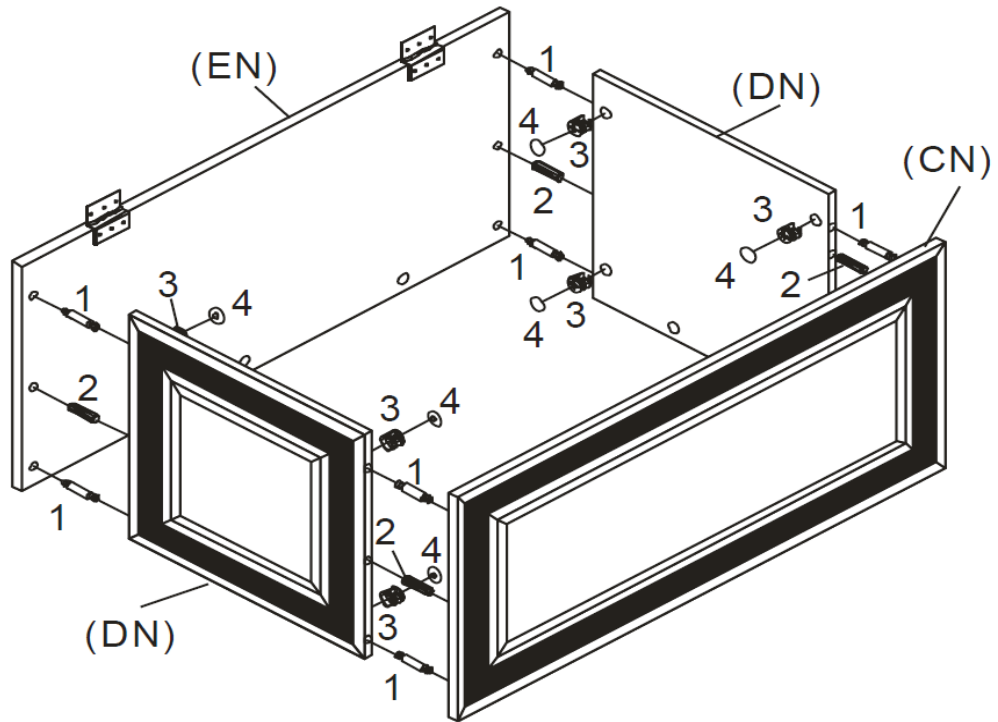


**STEP 2**

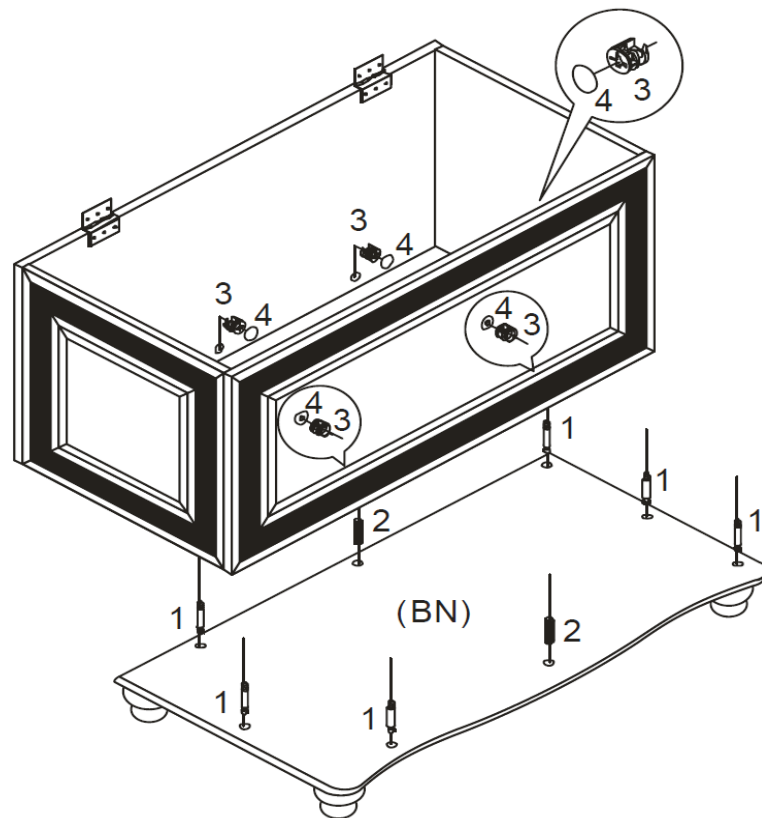


ITEM: **900012**

**ASSEMBLY INSTRUCTIONS**  
**STEP 3**

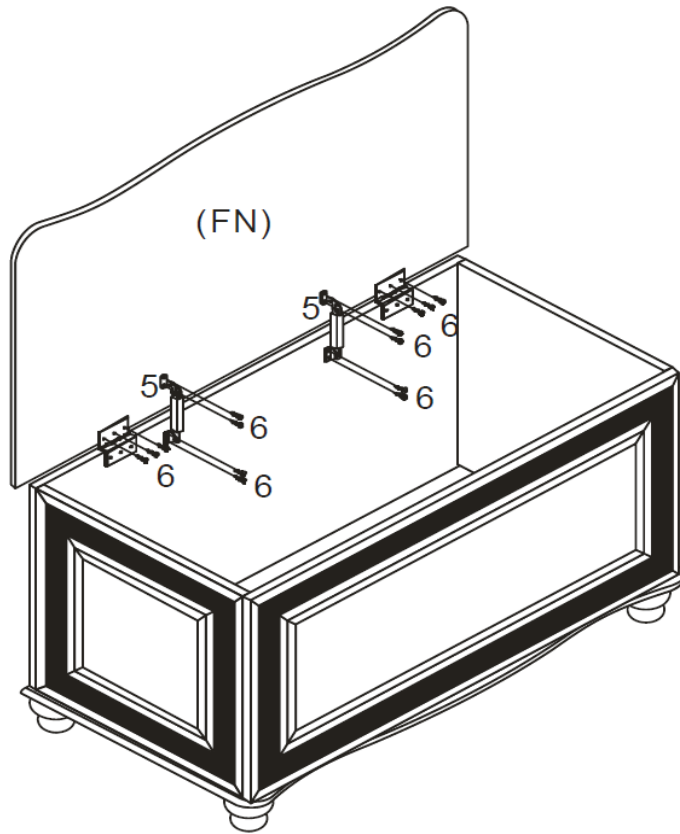


**STEP 4**

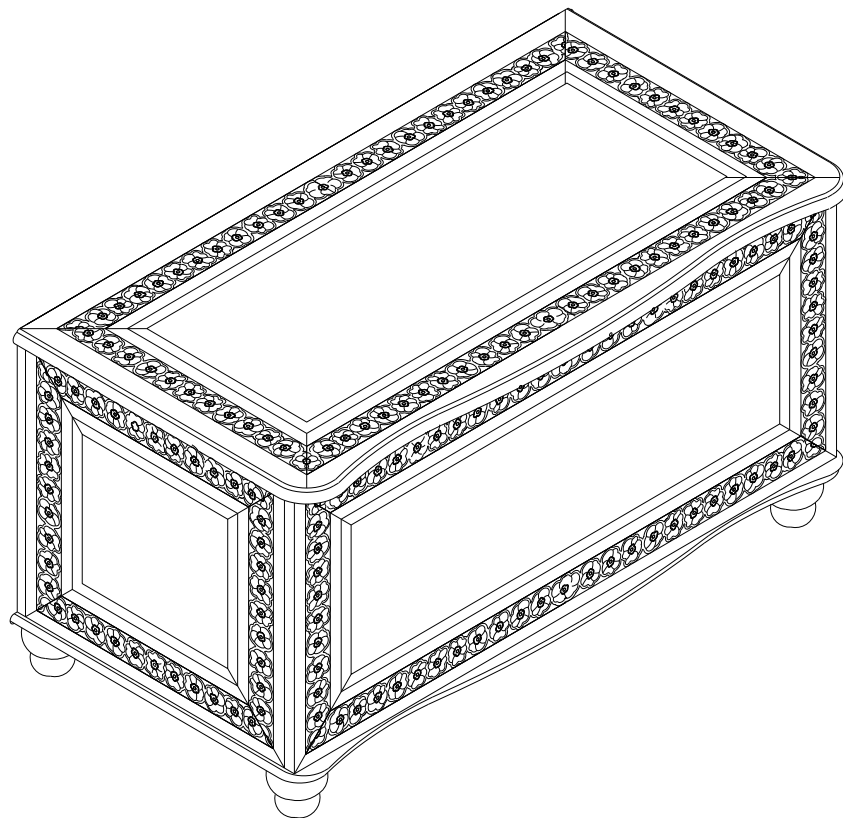


ITEM: **900012**

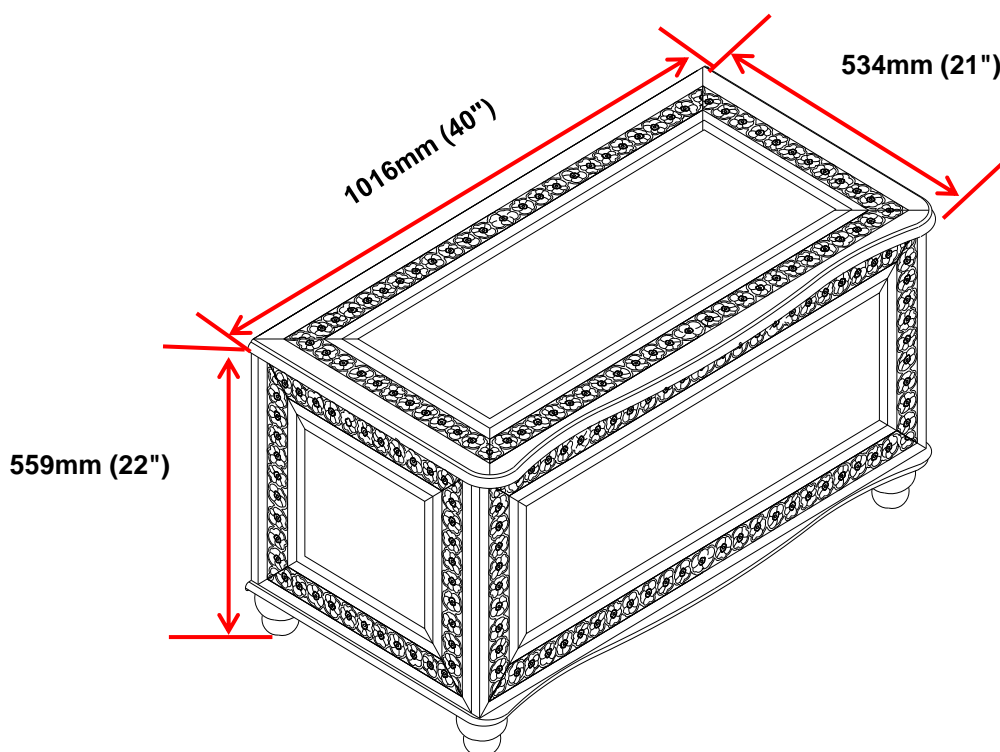
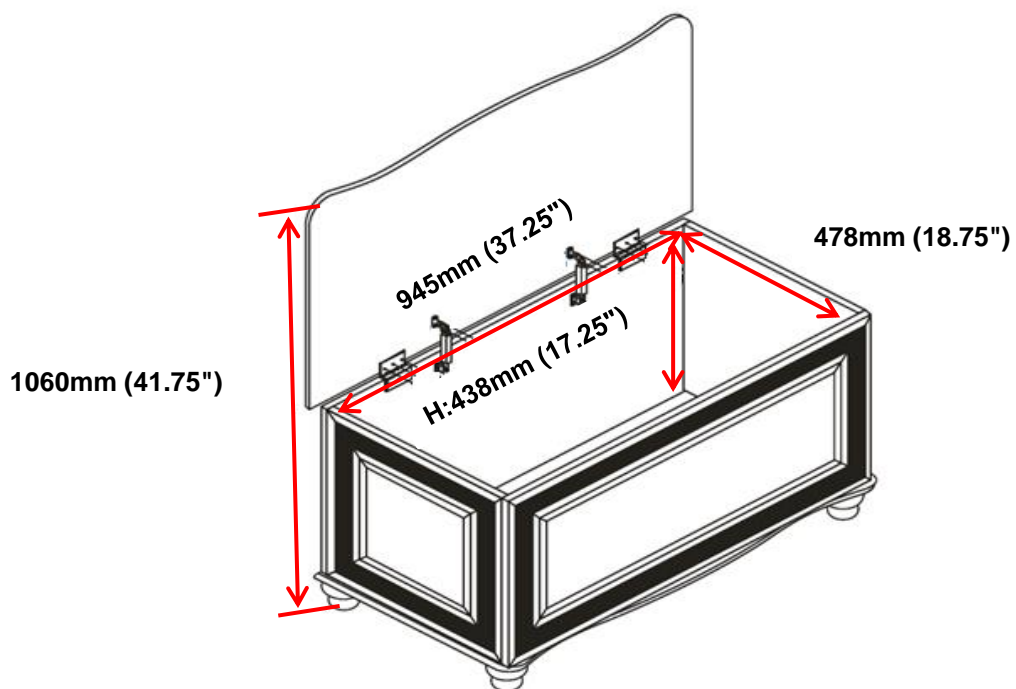
**ASSEMBLY INSTRUCTIONS**  
**STEP 5**



**STEP 6**  
**COMPLETE**



ITEM:900012



Note : Dimension tolerance  $\pm 5\%$